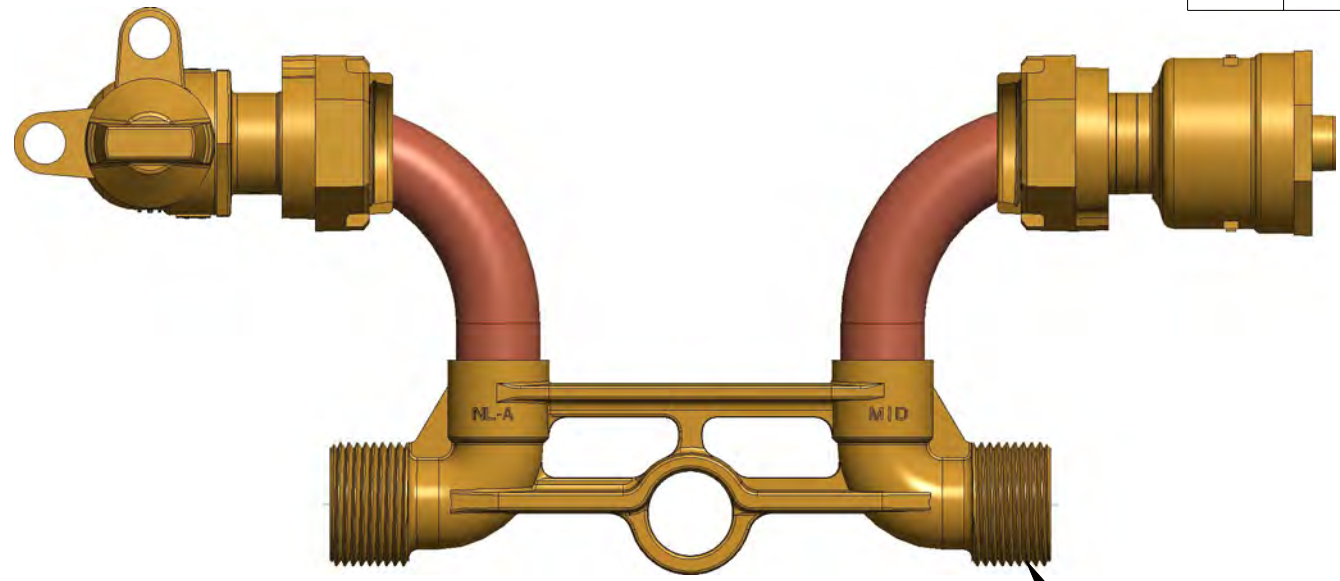
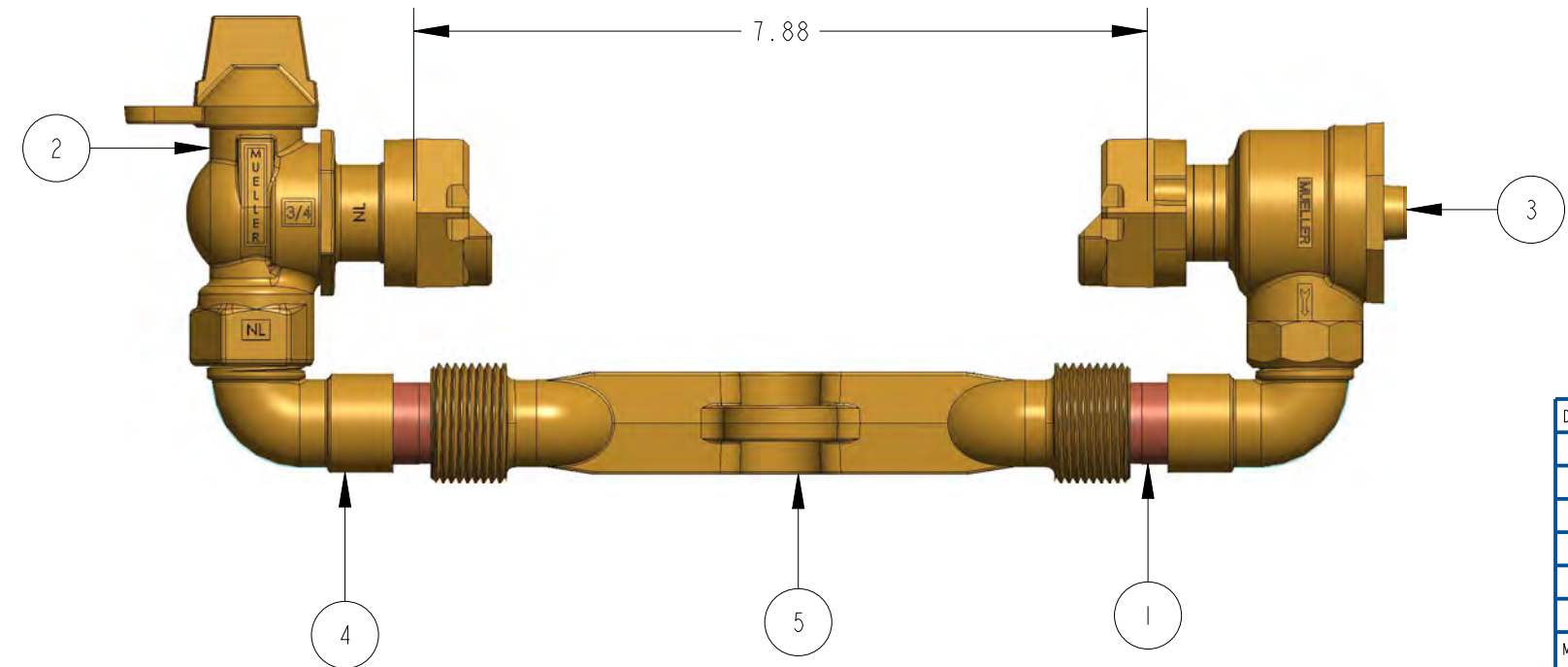
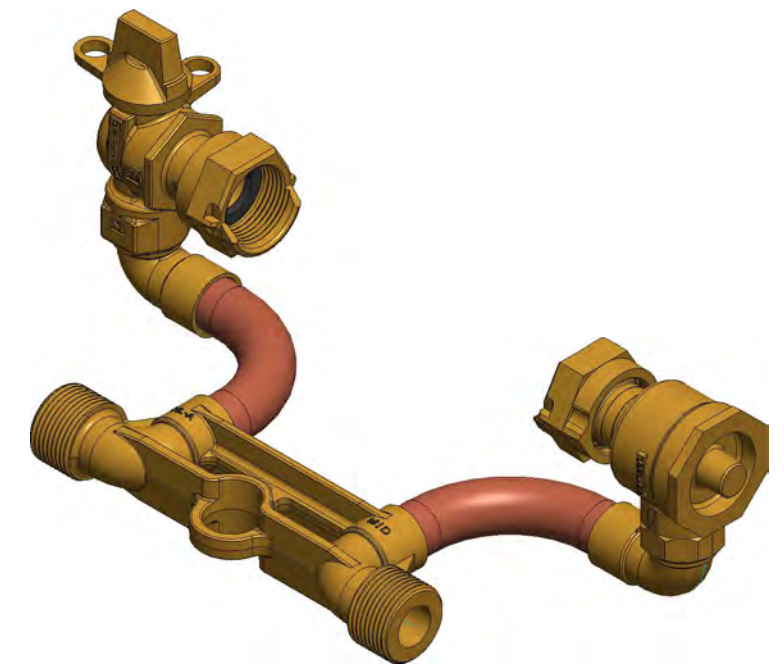


ITEM NO	PART NUMBER	QTY	DESCRIPTION
1	525351	2	COPPER TUBING
2	215B2426551R3N	1	5/8" X 3/4" 360 DEGREE REDUCED PORT BALL VALVE
3	215H14244	1	5/8" X3/4" DUAL CHECK VALVE
4	525347E	2	SOLDER X NPT ELBOW
5	532087E	1	METER BAR 1" METER THREAD LLB



1-11-1/2" NPSH THREADS
INLET AND OUTLET



DR. BY	AOD	8/30/22	UNLESS OTHERWISE NOTED	THIRD ANGLE PROJECTION	C.B. NO.
CHKR			BREAK CAST CORNER(S)---		
ENGR			BREAK MACH CORNER(S)---	PURCH.	PATT. NO.
MGR			TOLERANCES	FINISH	
MFG			UNLESS OTHERWISE NOTED	REF. NO.	SCALE
TOOL			LINEAR	±	NONE
FDRY			ANGULAR	±	
MAT'L:			STK. NO.		
			DESCR. 5/8" X3/4" COPPER METER SETTER OFFSET RELOCATOR LOW LEAD BRASS		NUMBER 203B2446-R5---N

203B2446-R5---N