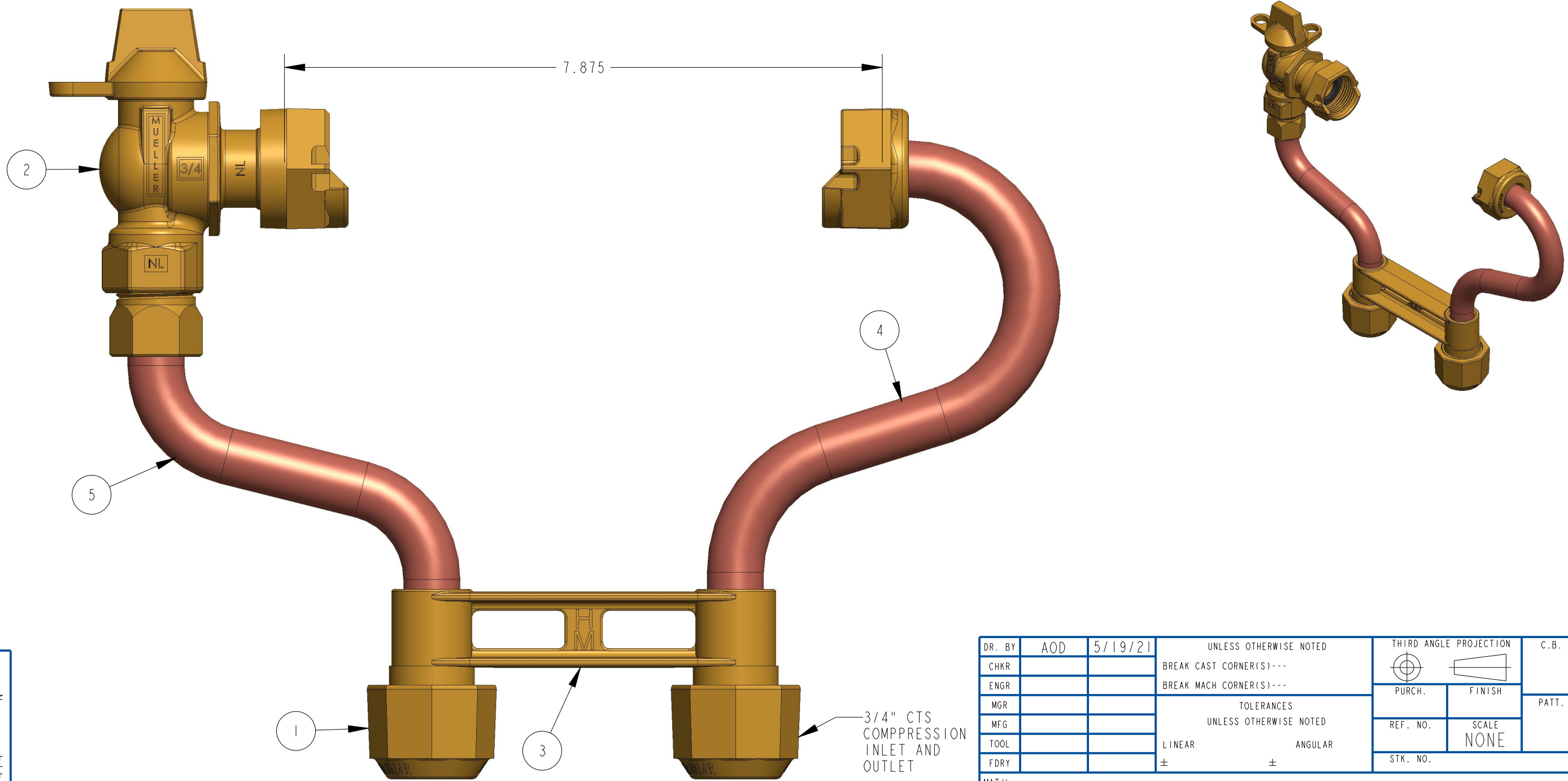


ITEM NO	PART NUMBER	QTY	DESCRIPTION
1	507831	2	3/4" CTS 110 COMPRESSION
2	215B2426551N	1	5/8" X 3/4" REDUCED PORT BALL VALVE
3	509844E	1	5/8" X 3/4" VERTICAL METER BAR
4	581811E	1	RISER SUB ASSEMBLY W/ SADDLE NUT
5	680001E	1	RISER SUB ASSEMBLY



DR. BY	AOD	5/19/21	UNLESS OTHERWISE NOTED	THIRD ANGLE PROJECTION	C.B. NO.
CHKR			BREAK CAST CORNER(S)---		
ENGR			BREAK MACH CORNER(S)---	PURCH.	PATT. NO.
MGR			TOLERANCES	FINISH	
MFG			UNLESS OTHERWISE NOTED	REF. NO.	SCALE
TOOL			LINEAR	±	NONE
FDRY			ANGULAR	±	
MAT'L:				STK. NO.	
<b>Mueller Co.</b>			DESCR. 5/8" X 3/4" COPPER METER SETTER VERTICAL X VERTICAL LOW LEAD BRASS	NUMBER	203B2474-----N

203B2474-----N