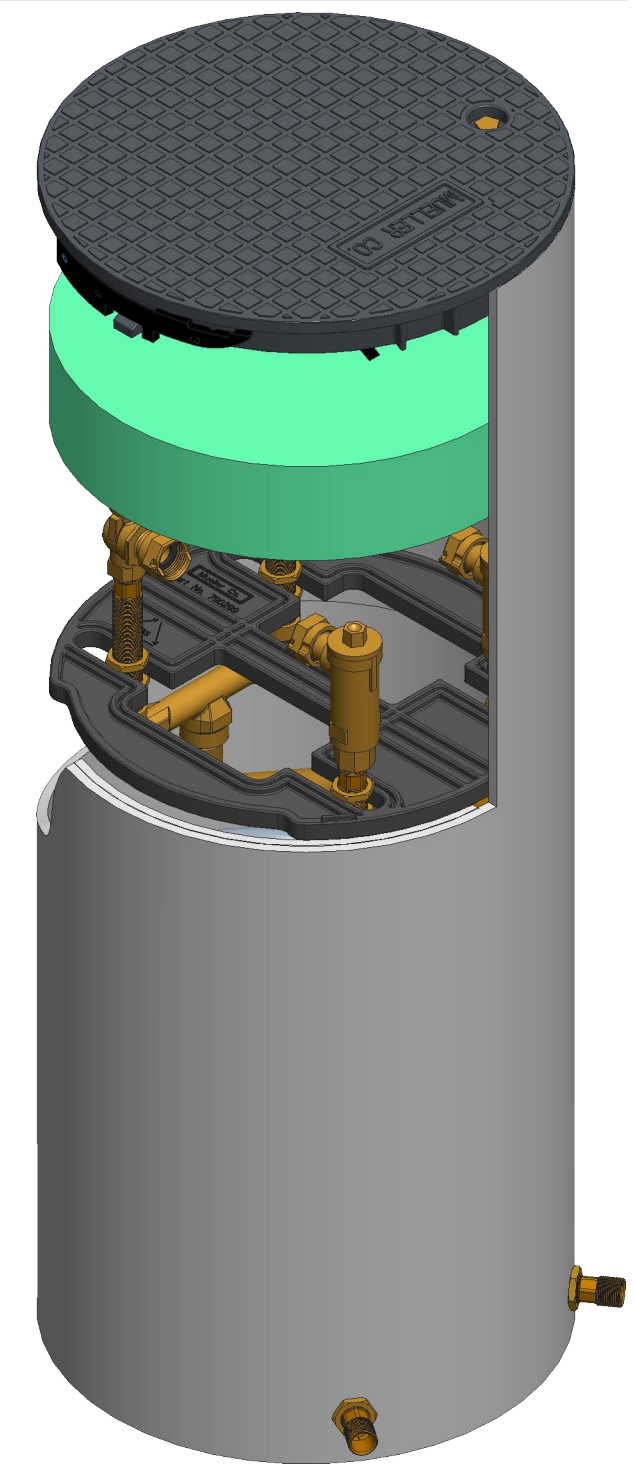
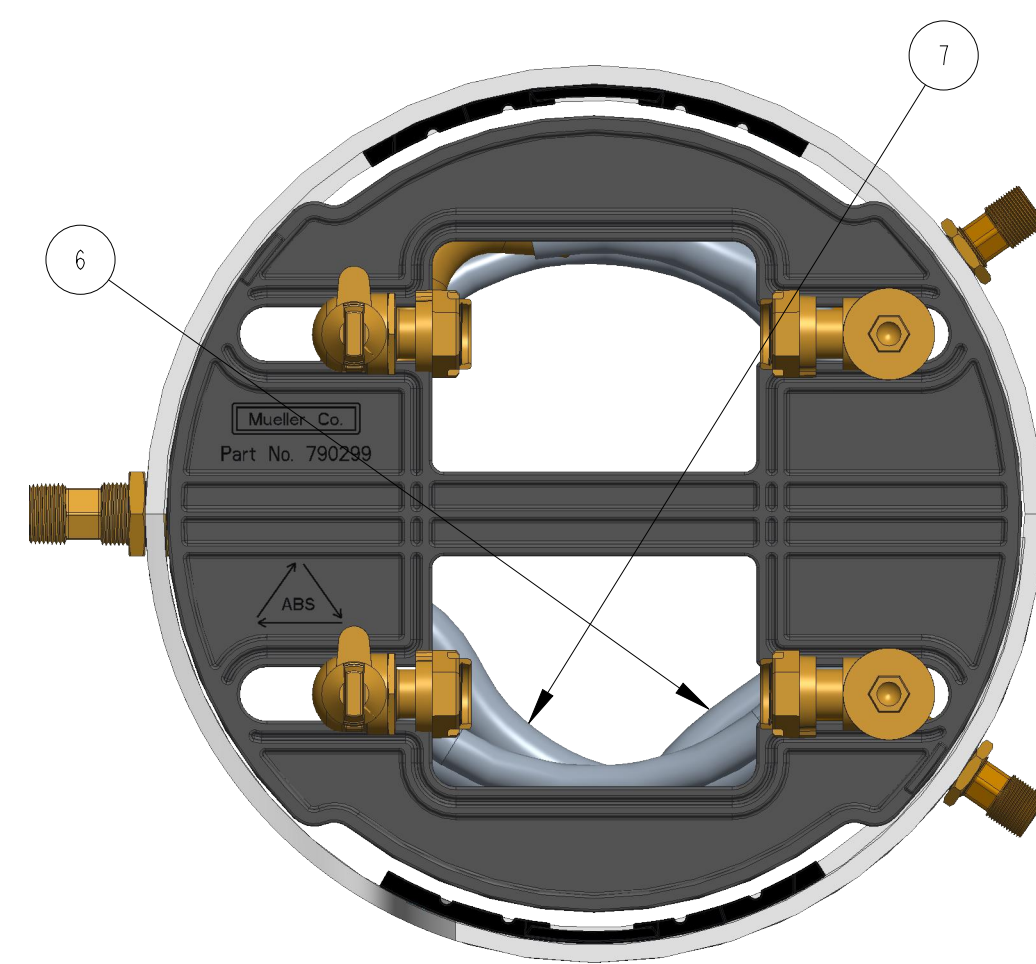


ITEM NO	PART NUMBER	QTY	DESCRIPTION
1	311955	1	18" DIA SIDE LOCKING COMPOSITE LID (SOLD SEPARATELY)
2	548451	1	1" EXTENDED THREADED CONNECTOR
3	551156	2	3/4" NIPPLE WITH WRENCH FLATS
4	700013_REVE	4	3/4" HOSE CONNECTOR
5	700014	1	1" HOSE CONNECTOR
6	700035-1548	2	3/4" COIL PART
7	700046-1848	1	1" COIL PART
8	780076-1848	1	SHELL SUB ASSEMBLY
9	790006	12	3/4" HEX NUT
10	790010	2	1" HEX NUT
11	790153	1	18" INSULATION PAD (SOLD SEPARATELY)
12	790299_REVC	1	18" COMPOSITE PLATFORM
13	215B24265N	2	5/8" X 3/4" FULL PORT BALL VALVE
14	215HI4460AN	2	5/8" X 3/4" VERTICAL ASSE APPROVED CHECK VALVE
15	402HI5367N	1	1IN X 3/4IN FIP THREAD U-BRANCH



DR. BY	SLV	10/2/20	UNLESS OTHERWISE NOTED	THIRD ANGLE PROJECTION	C.B. NO.
CHKR			BREAK CAST CORNER(S)---		
ENGR			BREAK MACH CORNER(S)---	PURCH.	FINISH
MGR			TOLERANCES	REF. NO.	SCALE
MFG			UNLESS OTHERWISE NOTED	STR. NO.	
TOOL			LINEAR	ANGULAR	
FDRY			±	±	
MAT'L:					
Mueller Co.		DESCR: 5/8" X 3/4" COIL DOUBLE METER PIT 18" DIA. X 48" BURY DEPTH LOW LEAD BRASS		NUMBER 203CD1848FVBSN	