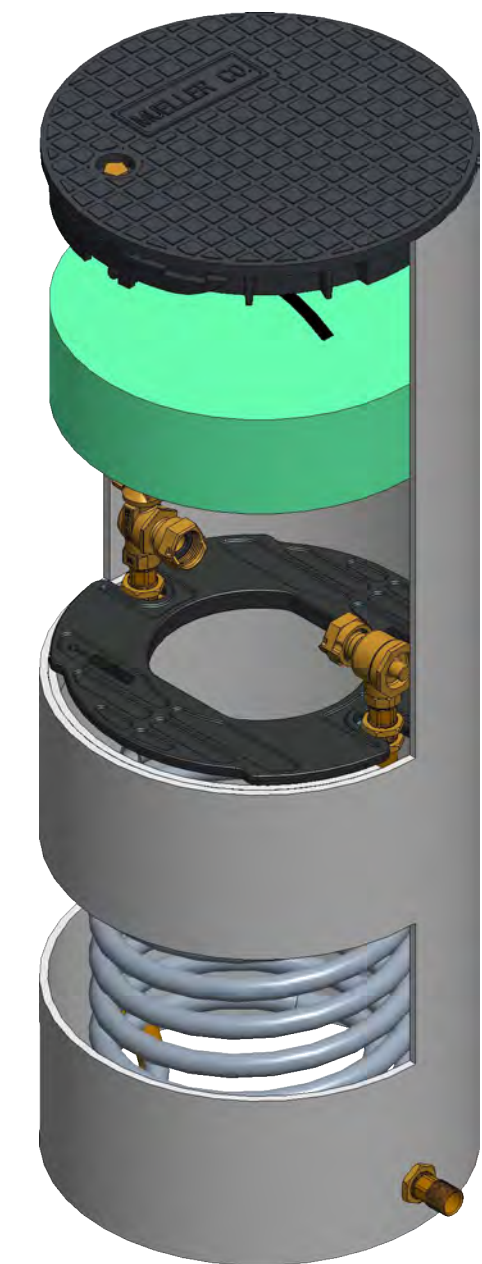
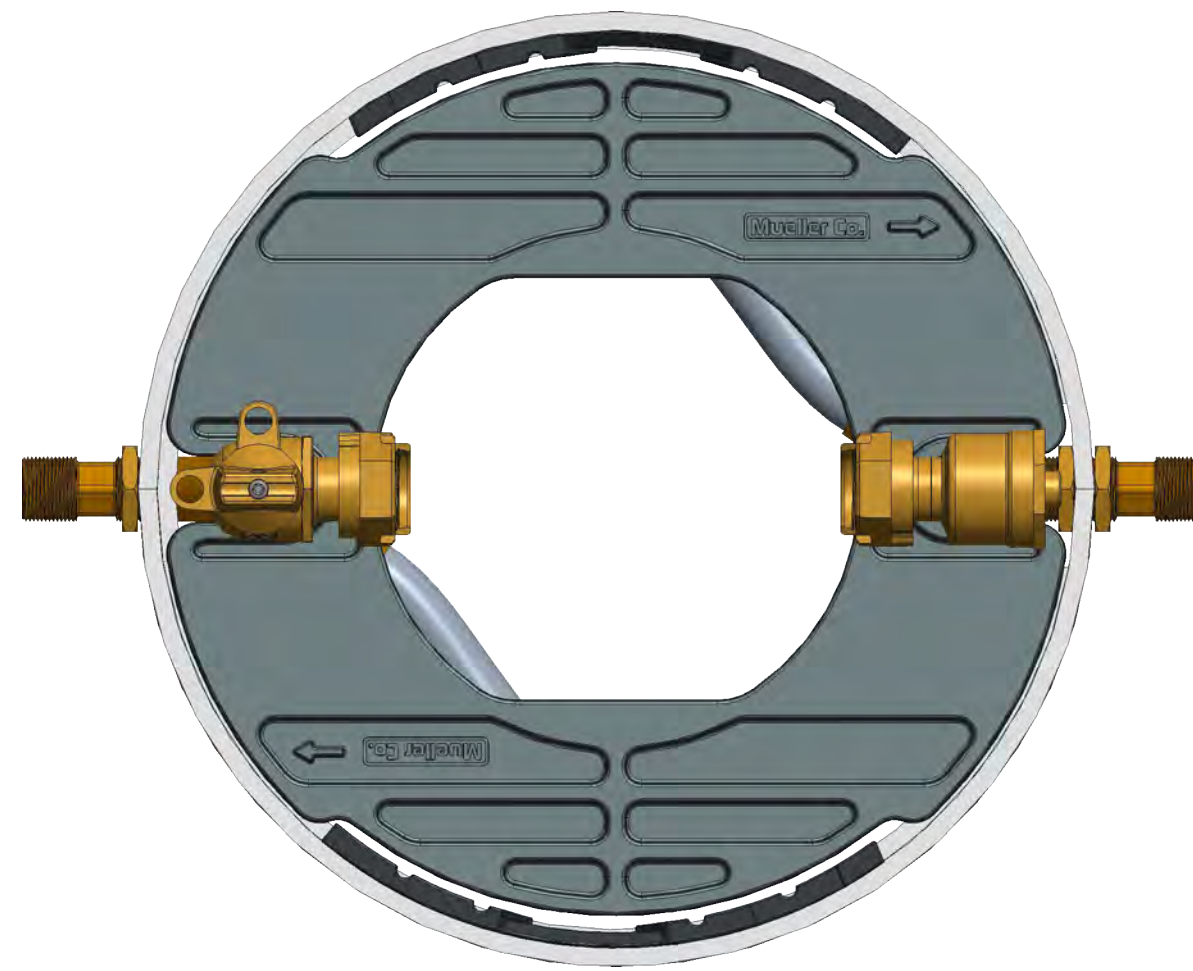


ITEM NO	PART NUMBER	QTY	DESCRIPTION
1	311954	1	15" COMPOSITE SIDE LOCKING LID (SOLD SEPARATELY)
2	311965	1	15-10 ABS PLATFORM
3	700013_REVE	4	3/4" HOSE CONNECTOR
4	700035-1542	2	COIL PART
5	780021-1542	1	SHELL SUB ASSEMBLY
6	790006	8	3/4" HEX NUT
7	790022	1	15" INSULATION PAD (SOLD SEPARATELY)
8	215B24265N	1	5/8" X 3/4" FULL PORT BALL VALVE
9	215HI4244	1	5/8" X3/4" DUAL CHECK VALVE



DR. BY	AOD	8/27/21	UNLESS OTHERWISE NOTED		THIRD ANGLE PROJECTION		C.B. NO.
CHKR			BREAK CAST CORNER(S)---				
ENGR			BREAK MACH CORNER(S)---		PURCH.	FINISH	PATT. NO.
MGR			TOLERANCES		REF. NO.	SCALE	
MFG			UNLESS OTHERWISE NOTED				
TOOL			LINEAR	ANGULAR			
FDRY			±	±	STR. NO.		
MAT'L:							
MUELLER			DESCR. 5/8"x3/4" COIL SINGLE METER PIT 15" DIA X 42" DEPTH LOW LEAD BRASS			NUMBER 203CS1542FBBSN	