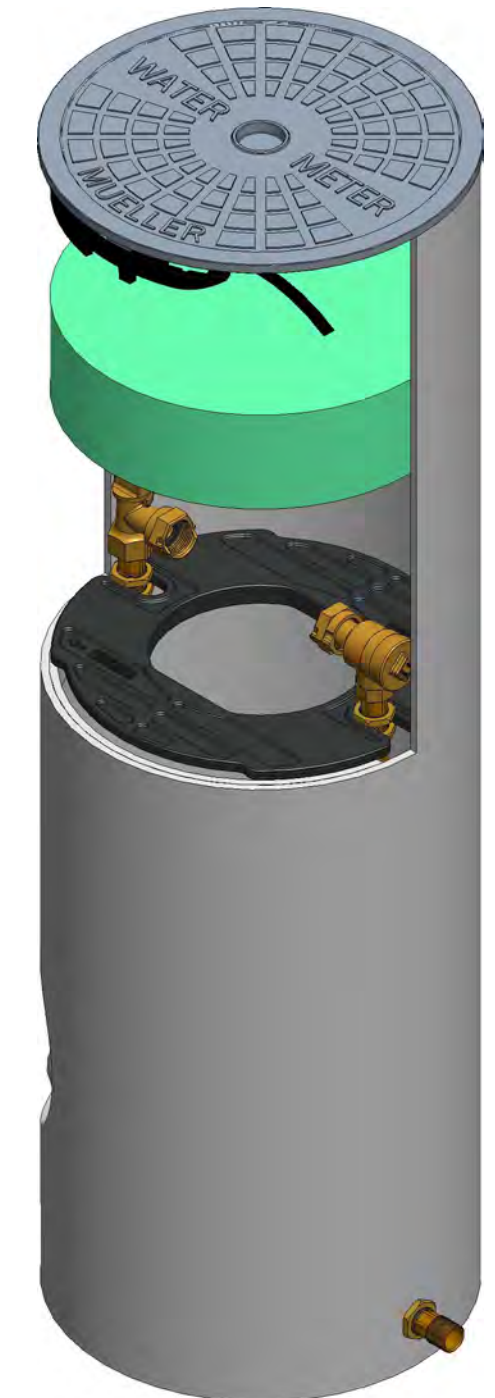
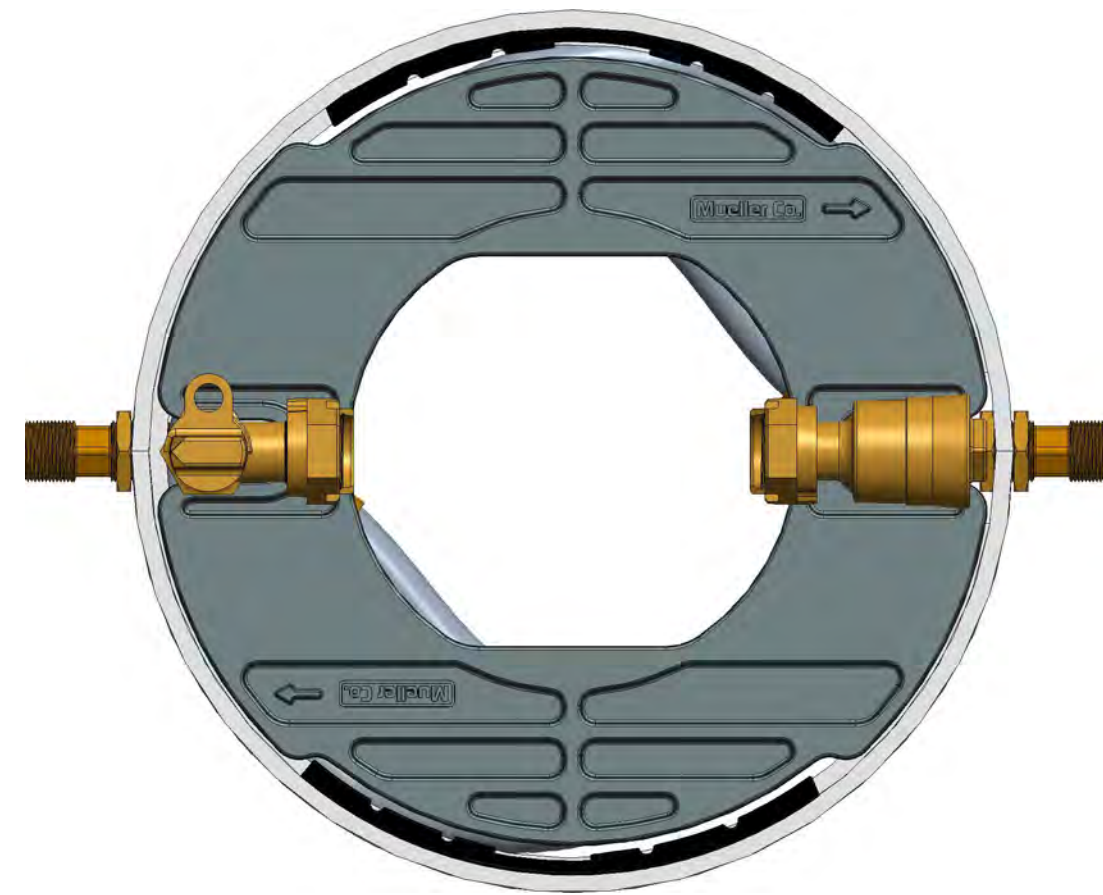


ITEM NO	PART NUMBER	QTY	DESCRIPTION
1	311965	1	15-10 ABS PLATFORM
2	700013_REVE	4	3/4" HOSE CONNECTOR
3	700035-1548	2	3/4" COIL PART
4	780021-1548	1	SHELL SUB ASSEMBLY
5	790006	8	3/4" HEX NUT
6	790007	1	15" CAST IRON FLAT LID
7	790022	1	15" INSULATION PAD (SOLD SEPARATELY)
8	215HI4244AN	1	5/8" X 3/4" ASSE DUAL CHECK VALVE
9	215HI4265	1	3/4" ANGLE BALL VALVE



DR. BY	AOD	8/25/21	UNLESS OTHERWISE NOTED	THIRD ANGLE PROJECTION	C.B. NO.	
CHKR			BREAK CAST CORNER(S)---			
ENGR			BREAK MACH CORNER(S)---	PURCH.	FINISH	
MGR			TOLERANCES	REF. NO.	SCALE	
MFG			UNLESS OTHERWISE NOTED	STR. NO.	PATT. NO.	
TOOL			LINEAR	±	ANGULAR	±
FDRY						
MAT'L:						
MUELLER		DESCR. 5/8"X3/4" COIL SINGLE METER PIT 15" DIA X 48" DEPTH LOW LEAD BRASS		NUMBER 203CS1548LSBNN		