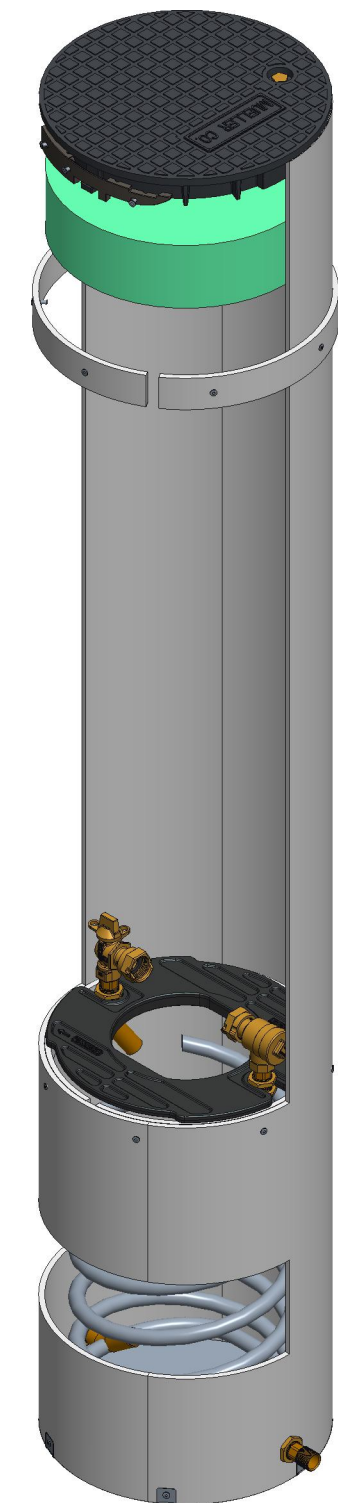
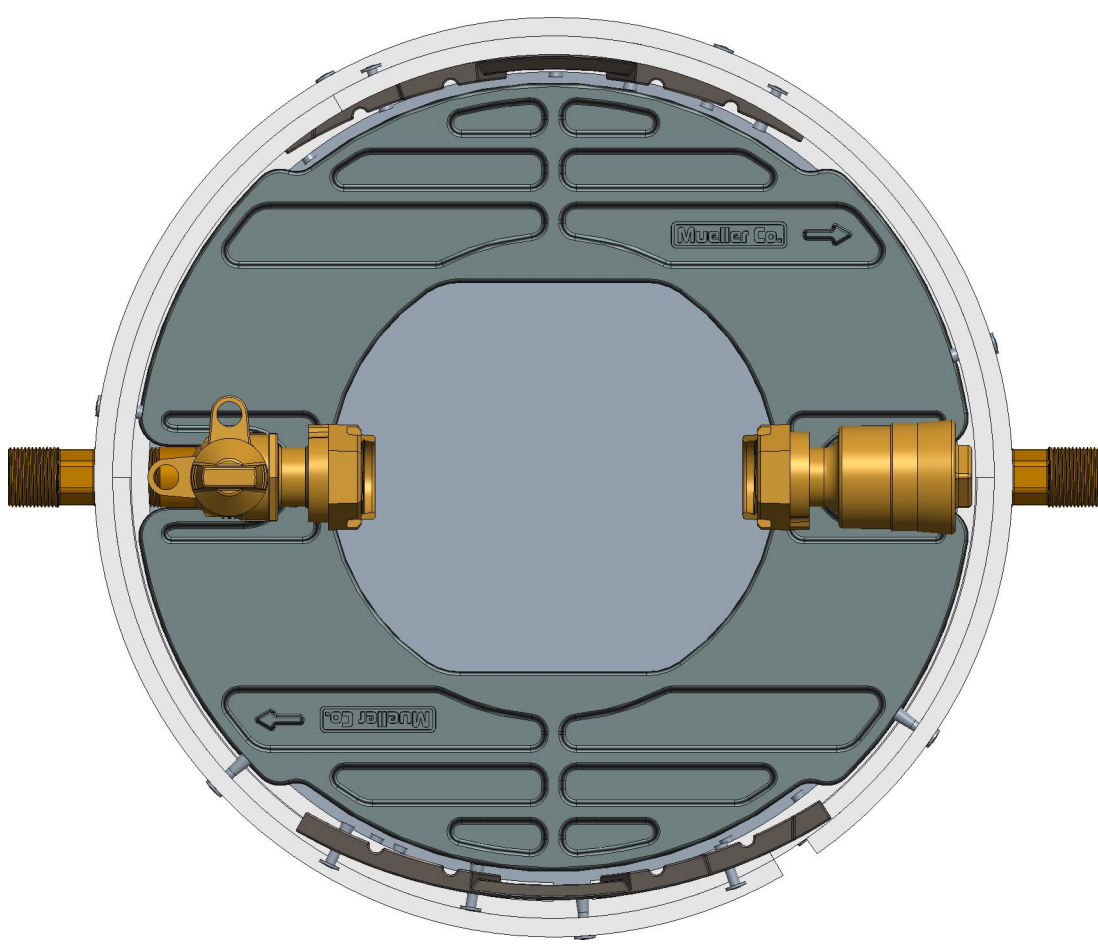
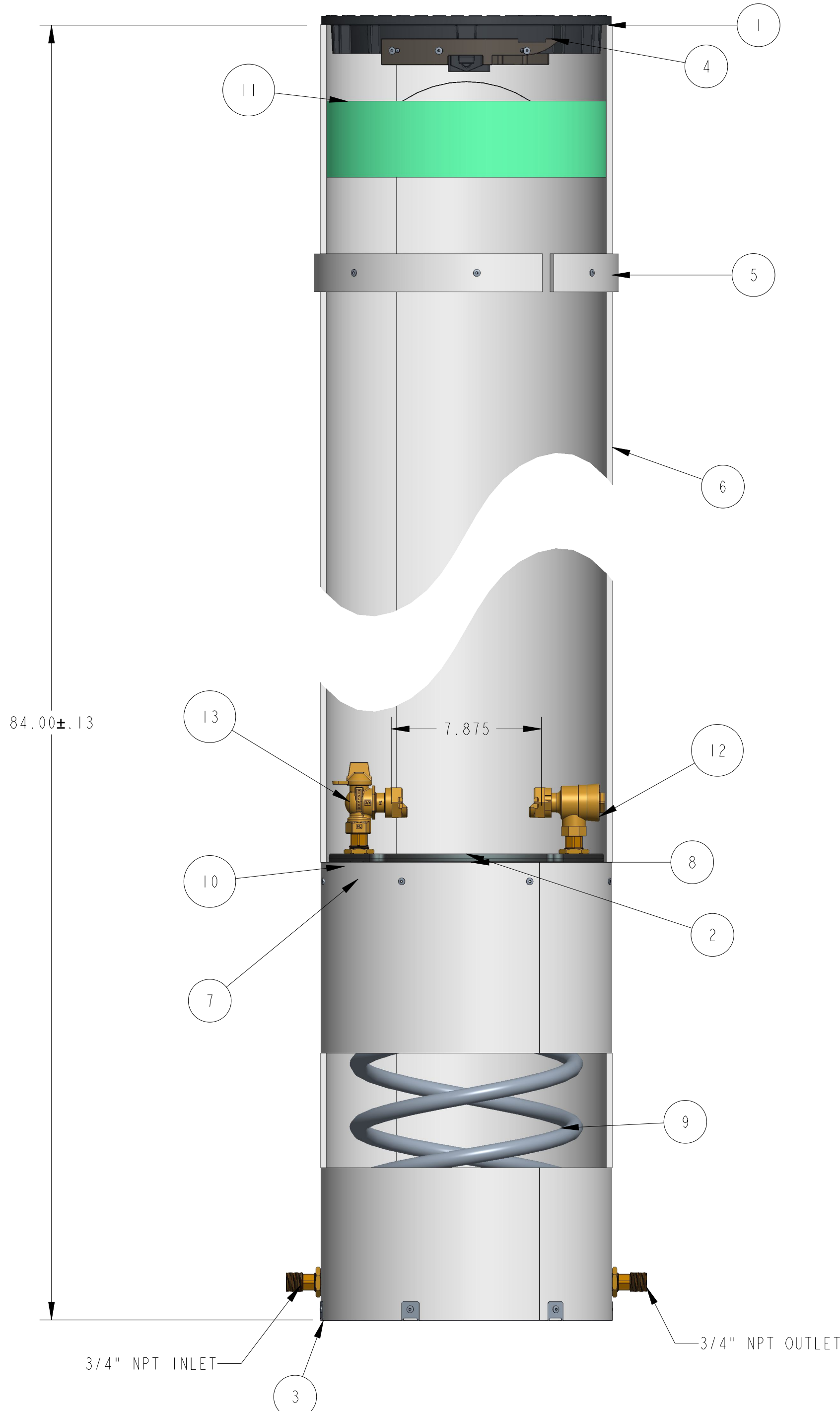


ITEM NO	PART NUMBER	QTY	DESCRIPTION	MATERIAL
1	311954	1	15" COMPOSITE SIDE LOCKING LID (SOLD SEPARATELY)	COMPOSITE
2	311965	1	15-10 ABS PLATFORM	PLASTIC VIRGIN POLYLAC, PA747 ABS BLACK RESIN OR PROOFED EQUIVALENT RESIN
3	548204-RIVET	1	STAINLESS STEEL BOTTOM	STAINLESS STEEL
4	548357-RIVET	2	LID LOCK BRACKET	ABS PLASTIC
5	550571-RIVET	1	EXTERNAL RING	SDR-51 PVC PIPE ASTM D2241 GRADE 1120
6	566451-1584	1	SHELL BODY	SDR-51 PVC PIPE ASTM D2241 GRADE 1120
7	700013	4	3/4" HOSE CONNECTOR	RED BRASS ASTM B43 ALLOY C23000 O61 TEMPER ANNEALED
8	700019-RIVET	1	INTERNAL PLATFORM RING	SDR-51 PVC PIPE ASTM D2241 GRADE 1120
9	700035-1584	2	3/4" COIL PART	POLYBUTYLENE RESIN BASELL AKOALIT PB4267 OR 4237 GREY
10	790006	8	3/4" HEX NUT	ASTM B16 ALLOY C36000
11	790022	1	15" INSULATION PAD (SOLD SEPARATELY)	ETHAFOAM 220 WHITE OR POLYLAM 1.7 DENSITY WHITE
12	01424451_A215N	1	5/8" X 3/4" ASSE DUAL CHECK VALVE	LEAD FREE BRASS ALLOY ASTM B584 C89833/C87850
13	02426551_L_215N	1	5/8" X 3/4" FULL PORT BALL VALVE	LEAD FREE BRASS ALLOY ASTM B584 C89833/C87850



REVISIONS					
REV	ECR	DESCRIPTION	DRAWN BY	DATE	APPROVED
A		RELEASE	AOD	8/27/21	
B		REMOVED SHELL SUB ASSEMBLY	JBK	9/5/25	

INTERPRET THIS DRAWING IN ACCORDANCE WITH ASME Y14.5 2018		NAME	DATE	THIRD ANGLE PROJECTION	
UNLESS OTHERWISE SPECIFIED DIMENSIONS ARE IN INCHES. MACHINING TOLERANCES:		DRAWN BY	AOD	8/27/21	
X .XX ±.1	.XX ±.015	D.E. APPR.			
.XXX ±.005	±.005	M.E. APPR.			
ANGULAR CORNER BREAK FINISH		Q.A. APPR.			TITLE:
±1°		DO NOT SCALE DRAWING			5/8" X 3/4" COIL SINGLE METER PIT
.015/.025		○ = CRITICAL () = REFERENCE			15" DIA X 84" DEPTH
125 μin. RA					LEAD FREE BRASS
		MATERIAL:	SIZE	DWG. NUMBER	REV
		STK NUMBER:	C	203CS1584FSASN	B
		REF. NO.	SCALE: 0.050	WT:	SHEET 1 OF 1

TITLE TO AND OWNERSHIP OF THIS ENGINEERING DATA REMAINS IN Mueller Co. ABSENT ON THE PART OF THE RECIPIENT TO THESE CONDITIONS IS PRESUMED.