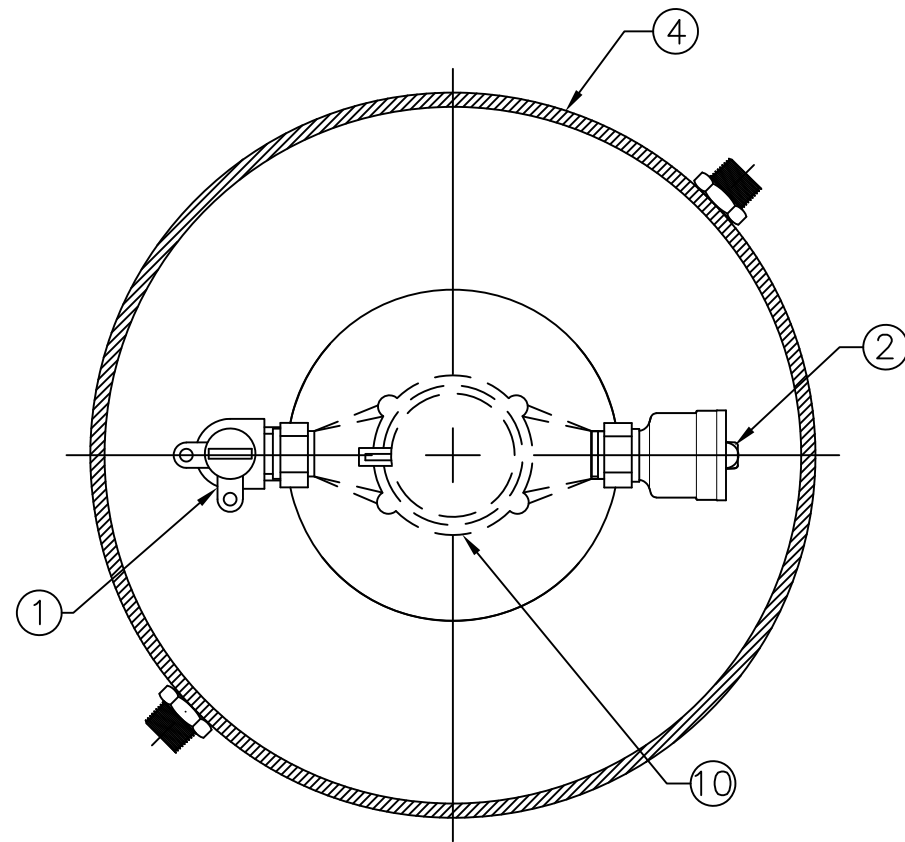
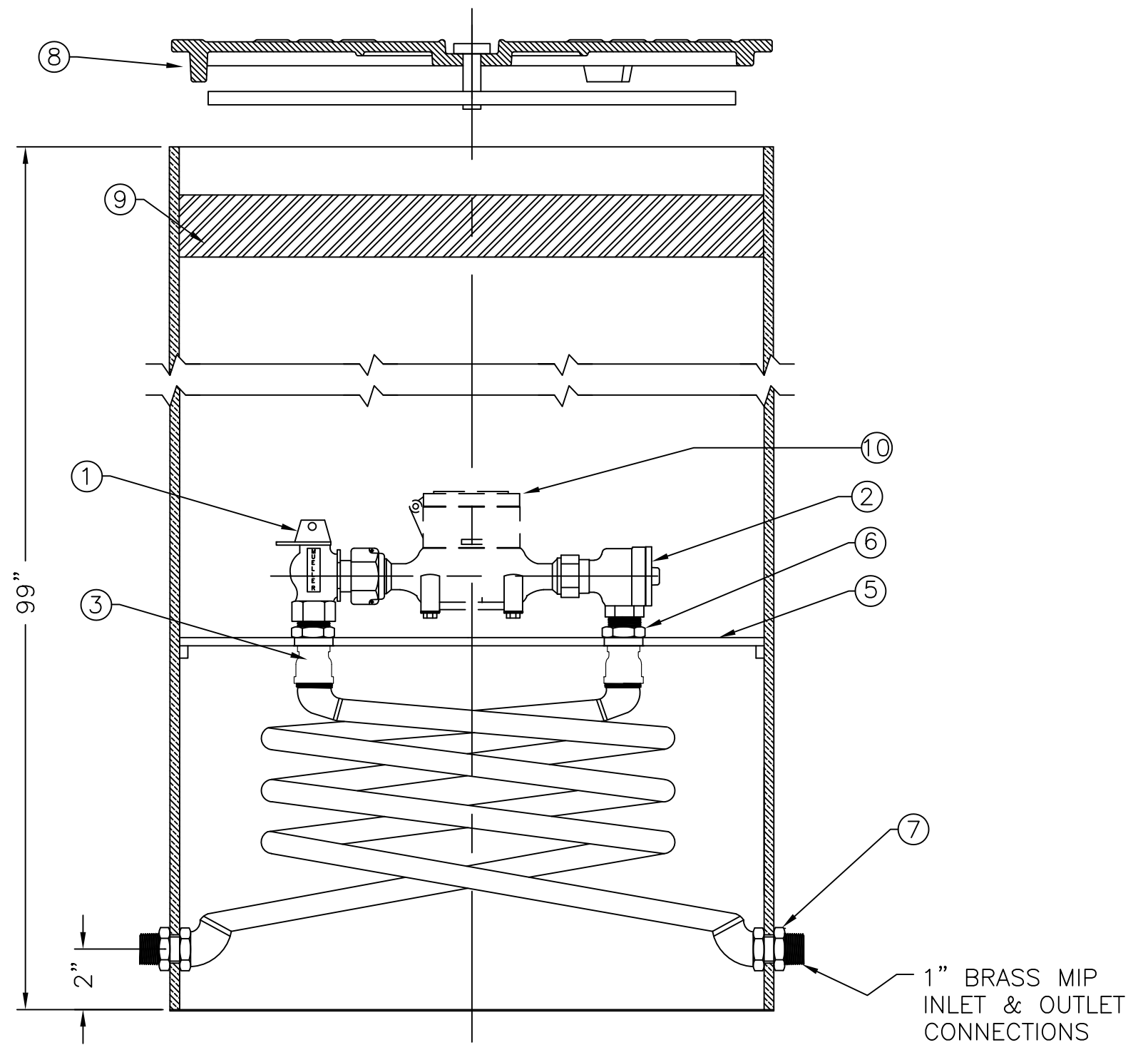


ITEM	DESCRIPTION	PART NO.	REQ'D
1	5/8" X 3/4" LOCKWING FULL PORT BALL VALVE	B24265N	1
2	5/8" X 3/4" DUAL ANGLE CHECK VALVE	H14244N	1
3	BELL REDUCER		2
4	18" SHELL SUB ASSEMBLY		1
5	STABILIZING PLATFORM		1
6	3/4" HEX NUTS		4
7	1" HEX NUTS		4
8	CAST IRON CENTER LOCKING LID (OPTIONAL)	780069	---
9	18" X 4" INSULATING PAD (OPTIONAL)	790153	---
10	METER (NOT INCLUDED)		---

*NOTE: METER NOT INCLUDED



TOP VIEW



FRONT VIEW

1" BRASS MIP INLET & OUTLET CONNECTIONS

203CS1899FBBL000060N

OPTION CODE: 000060

- 1" COIL INSTEAD OF 3/4"

DRFT'R	BBF	3/21/18	THIRD ANGLE PROJECTION	REF. NO.	SCALE
CHK'R					NONE
E.O. NUMBER				STOCK No.	
Mueller Co.			DESCR.	REV.	NUMBER
			5/8"X3/4" COIL SINGLE METER PIT 18" DIA X 99" DEPTH LOW LEAD BRASS		203CS1899FBBL000060N
				SHEET 1 OF 1	

REV.	DESCRIPTION	REF.	DRFT'R	CHK'R	APP	DATE