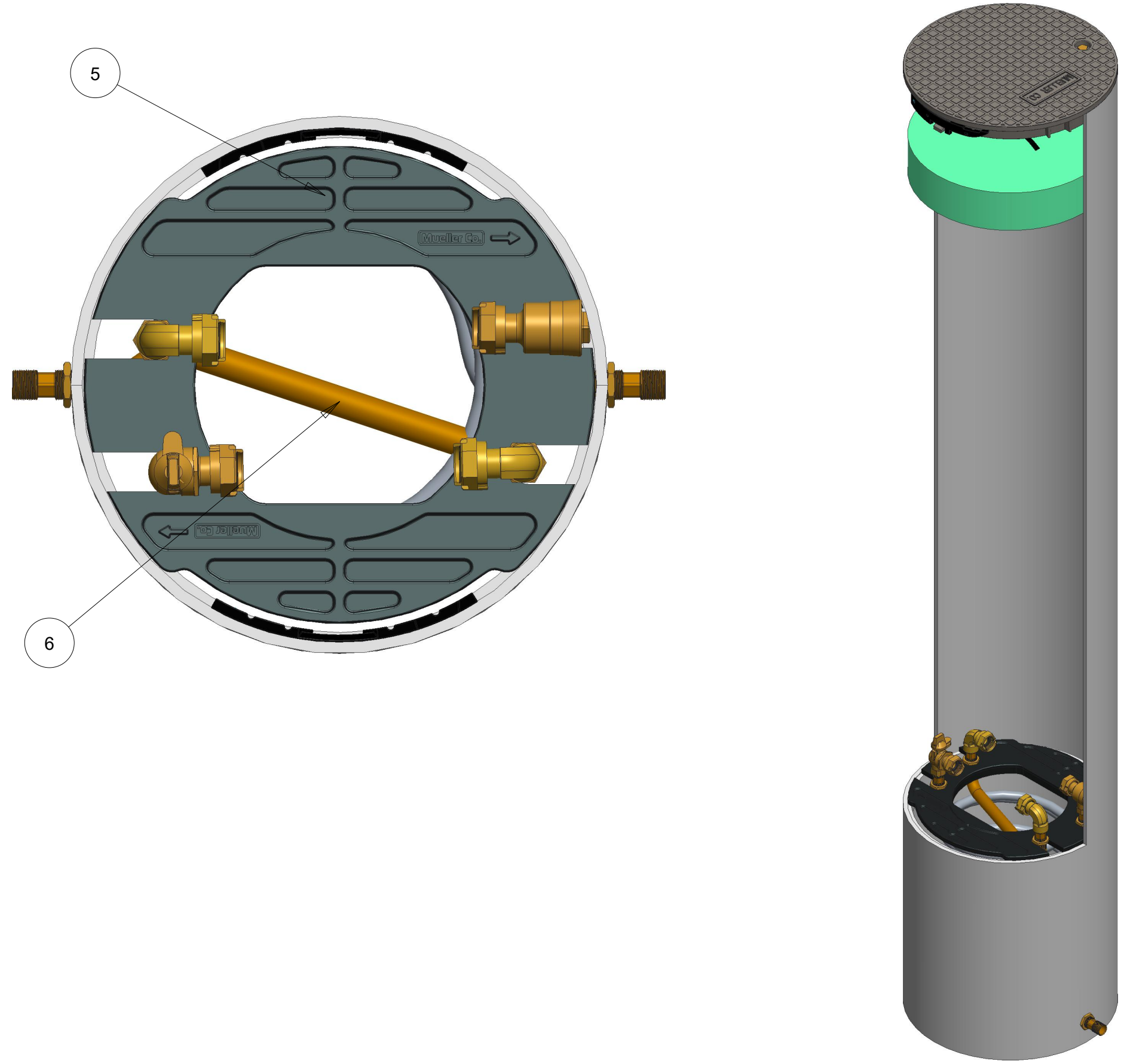
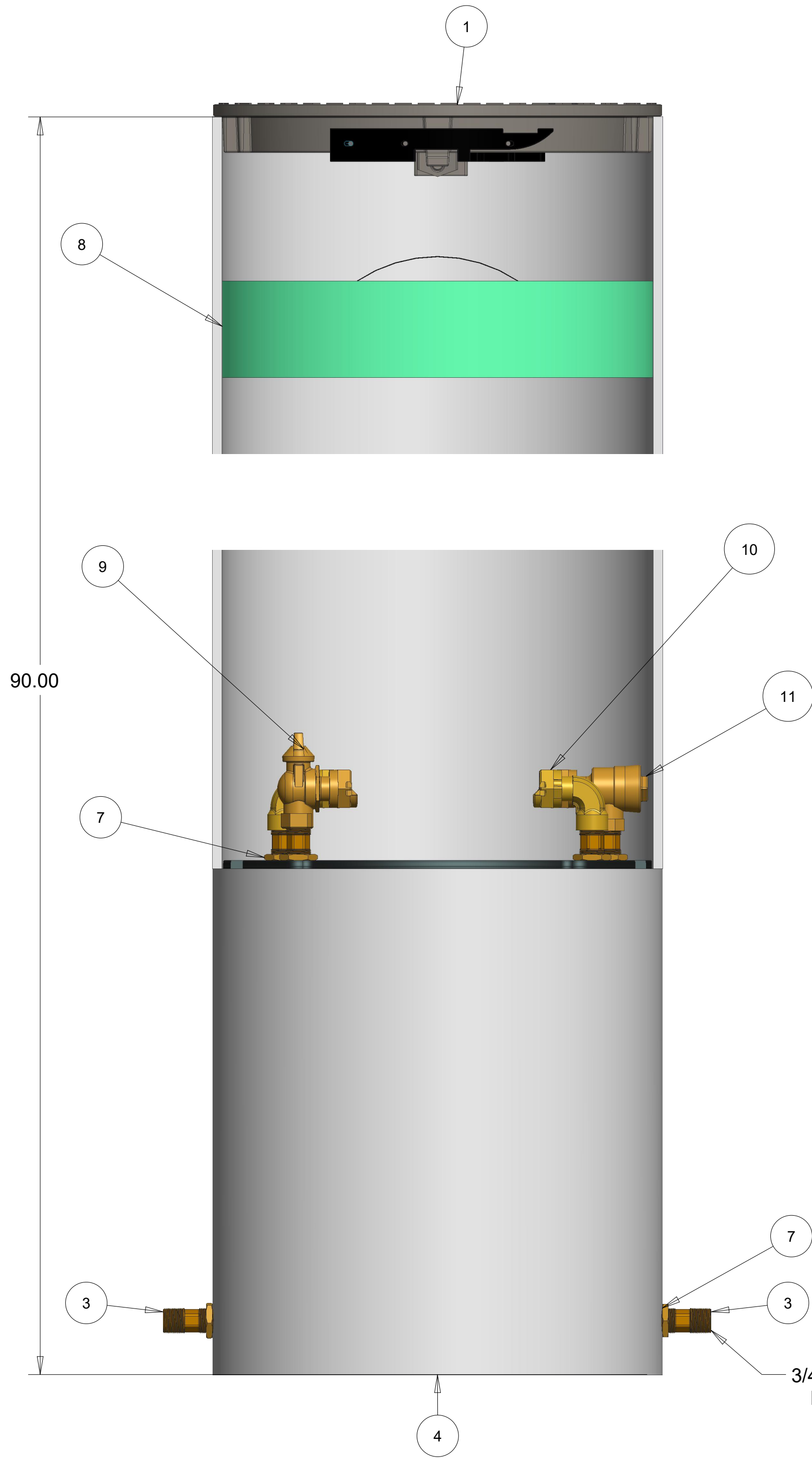


203CT1890FSBSN

ITEM NO	PART NUMBER	QTY	DESCRIPTION
1	311955	1	18" DIA SIDE LOCKING COMPOSITE LID (SOLD SEPARATELY)
2	311988	1	18IN ABS PLATFORM 18-25
3	700013_REVE	4	3/4" HOSE CONNECTOR
4	700024-1899	1	SHELL SUB ASSEMBLY
5	700035-1590	2	3/4" COIL PART
6	700158	1	3/4" U-BAR
7	790006	8	3/4" HEX NUT
8	790153	1	18" INSULATION PAD (SOLD SEPARATELY)
9	215B24265N	1	5/8" X 3/4" FULL PORT BALL VALVE
10	215H14210	2	5/8" X 3/4" METER COUPLING (SWIVEL NUT)
11	215H14244AN	1	5/8" X 3/4" ASSE DUAL CHECK VALVE



DR. BY	DWS	06/19/18	UNLESS OTHERWISE NOTED		THIRD ANGLE PROJECTION		C.B. NO.
CHKR			BREAK CAST CORNER(S)---				
ENGR			BREAK MACH CORNER(S)---		PURCH.	FINISH	PATT. NO.
MGR			TOLERANCES UNLESS OTHERWISE NOTED		REF. NO.	SCALE	
MFG			LINEAR	ANGULAR	STK. NO.		
TOOL			±	±			
FDRY							
MATL:							
			DESCR. 5/8"X3/4" COIL TANDEM METER PIT 18" DIA X 90" DEPTH LOW LEAD BRASS				NUMBER
							203CT1890FSBSN