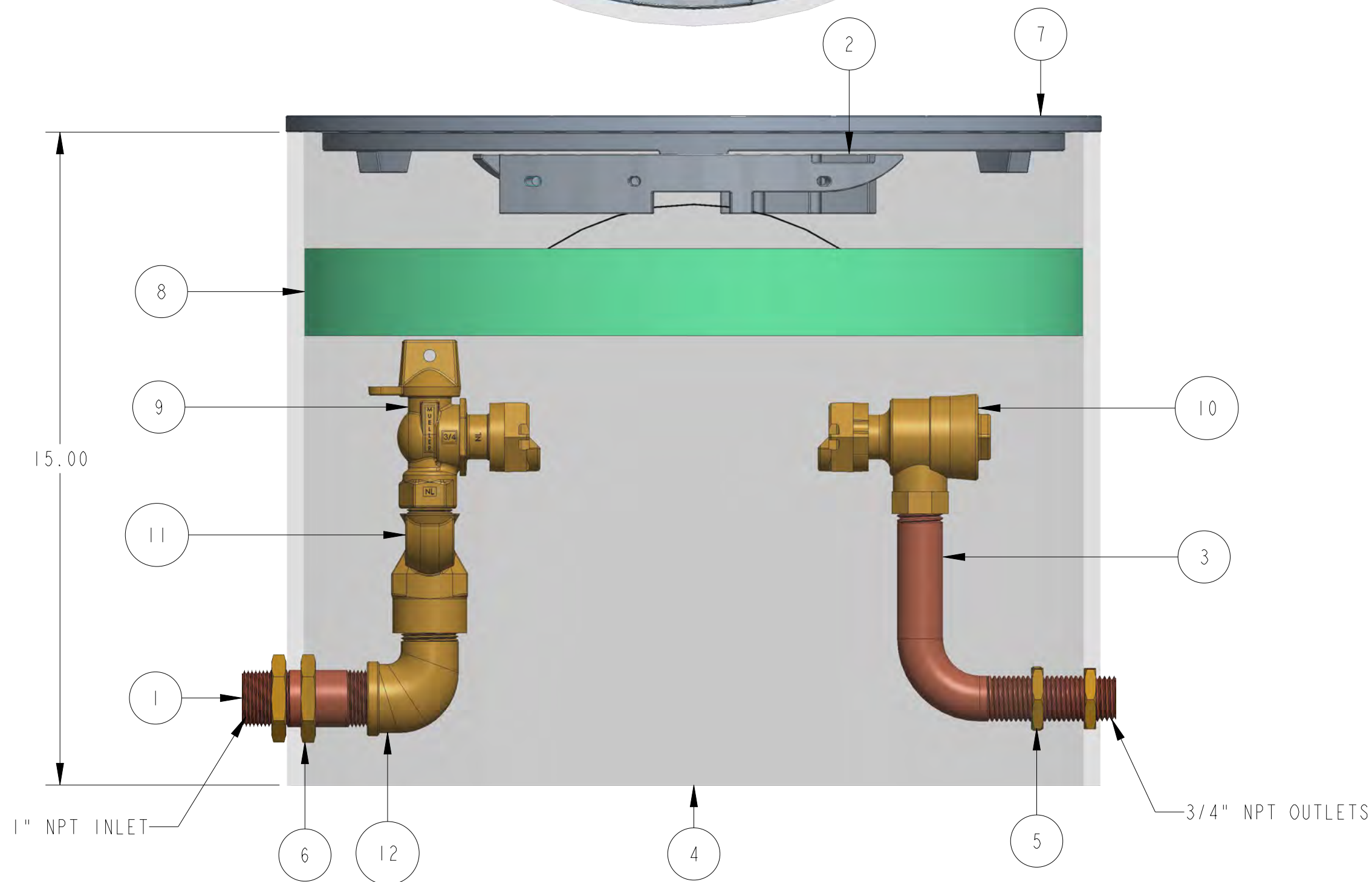
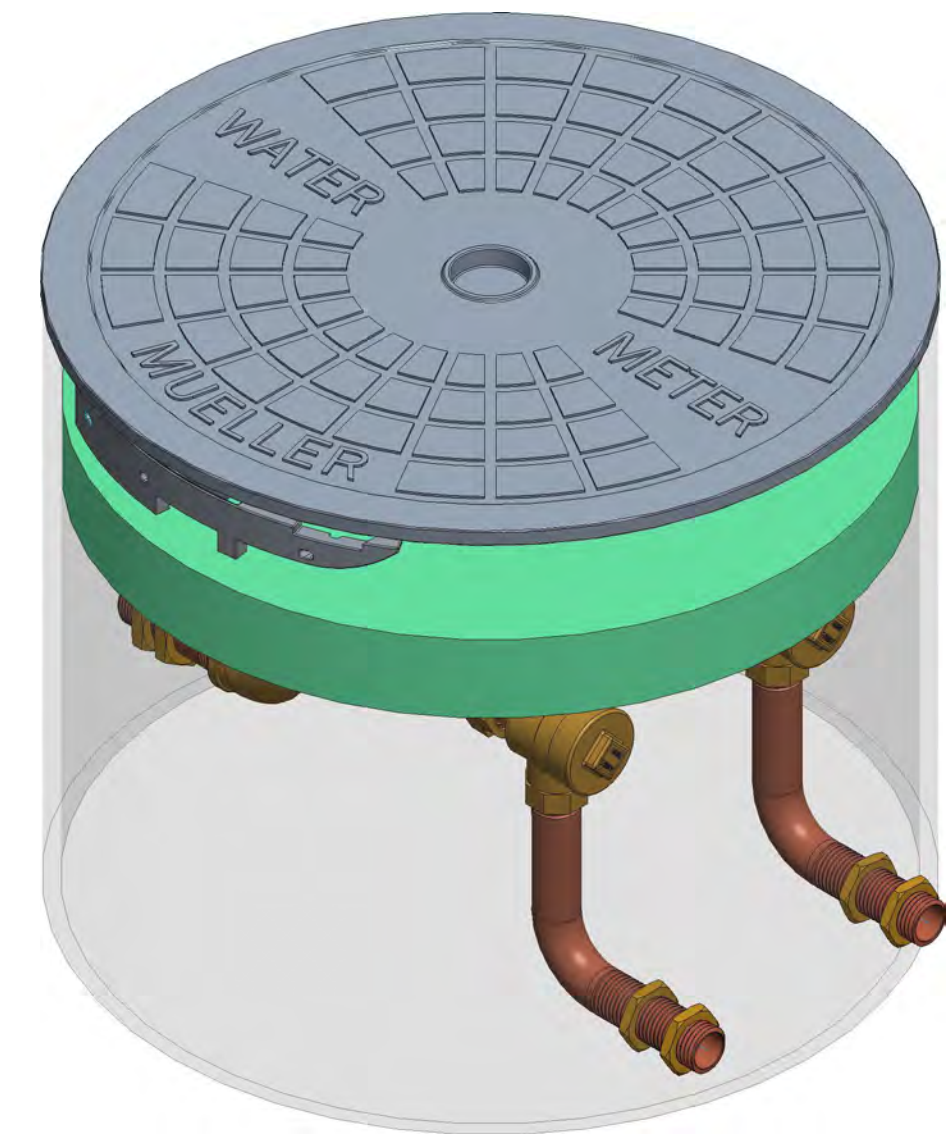
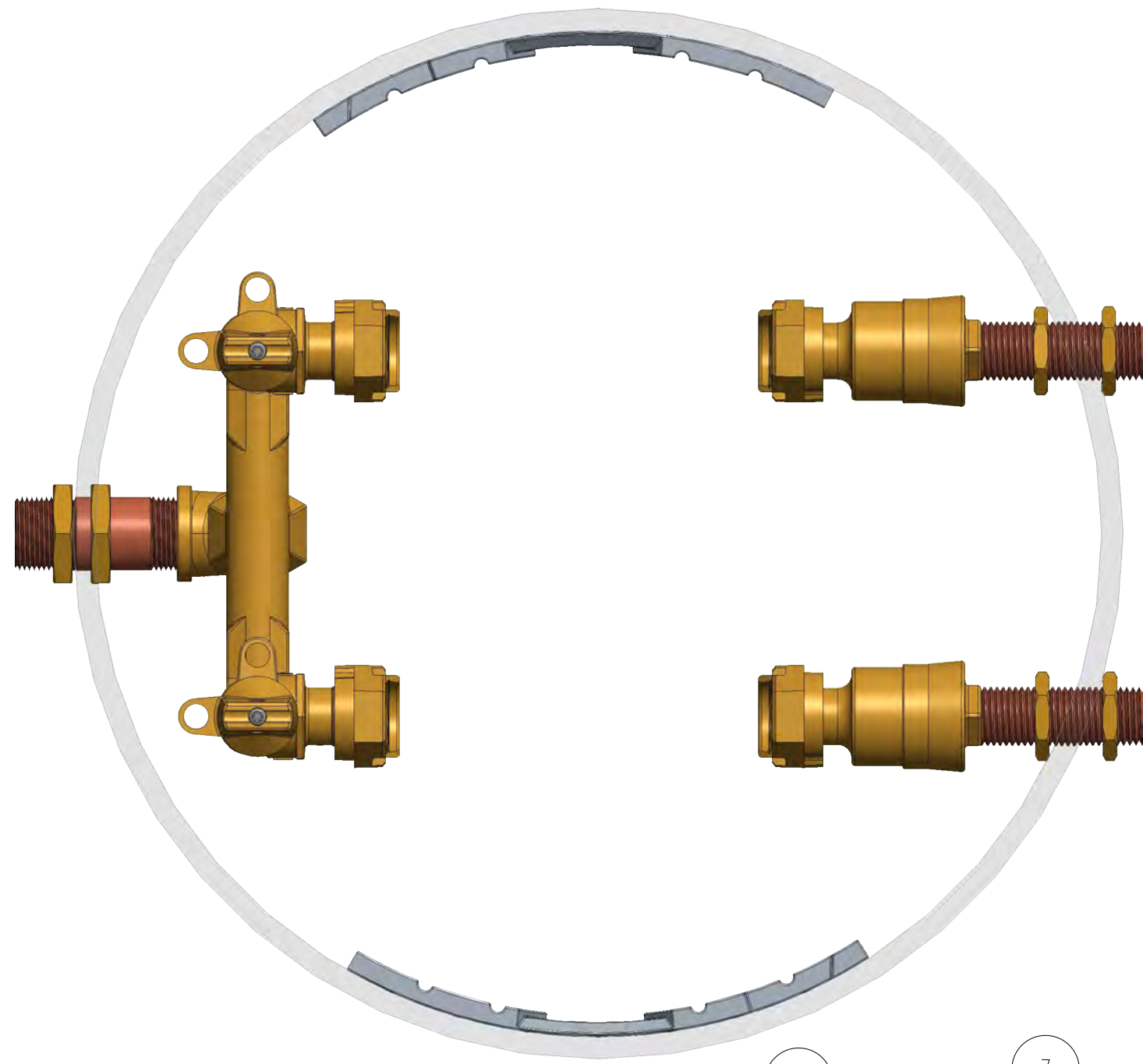


ITEM NO	PART NUMBER	QTY	DESCRIPTION
1	548163	1	1" NIPPLE
2	548357	2	15" & 18" UNIVERSAL BRACKET
3	548392	2	3/4" BRASS PIPE RISER
4	700002-1815	1	SHELL
5	790006	4	3/4" HEX NUT
6	790010	2	1" HEX NUT
7	790018	1	18" NON LOCKING FLAT LID (SOLD SEPERATELY)
8	790163	1	18" X 2" INSULATION PAD (SOLD SEPERATELY)
9	215B2426551RN	2	5/8" X 3/4" REDUCED PORT BALL VALVE
10	215HI4244AN	2	5/8" X 3/4" ASSE DUAL CHECK VALVE
11	400HI5365N	1	1" INLET X 3/4" OUTLET U-BRANCH
12	790052E	1	1" STREET ELBOW



DR. BY	AOD	3/09/22	UNLESS OTHERWISE NOTED	THIRD ANGLE PROJECTION	C.B. NO.
CHKR			BREAK CAST CORNER(S)---		
ENGR			BREAK MACH CORNER(S)---	PURCH.	FINISH
MGR			TOLERANCES	REF. NO.	PATT. NO.
MFG			UNLESS OTHERWISE NOTED	SCALE	
TOOL			LINEAR	ANGULAR	
FDRY			±	±	STR. NO.
MAT'L:					
<b>MUELLER</b>		DESCR. 5/8"x3/4" INLINE DOUBLE METER PIT 18" DIA X 15" DEPTH LOW LEAD BRASS		NUMBER 2031D1815RBBNN	