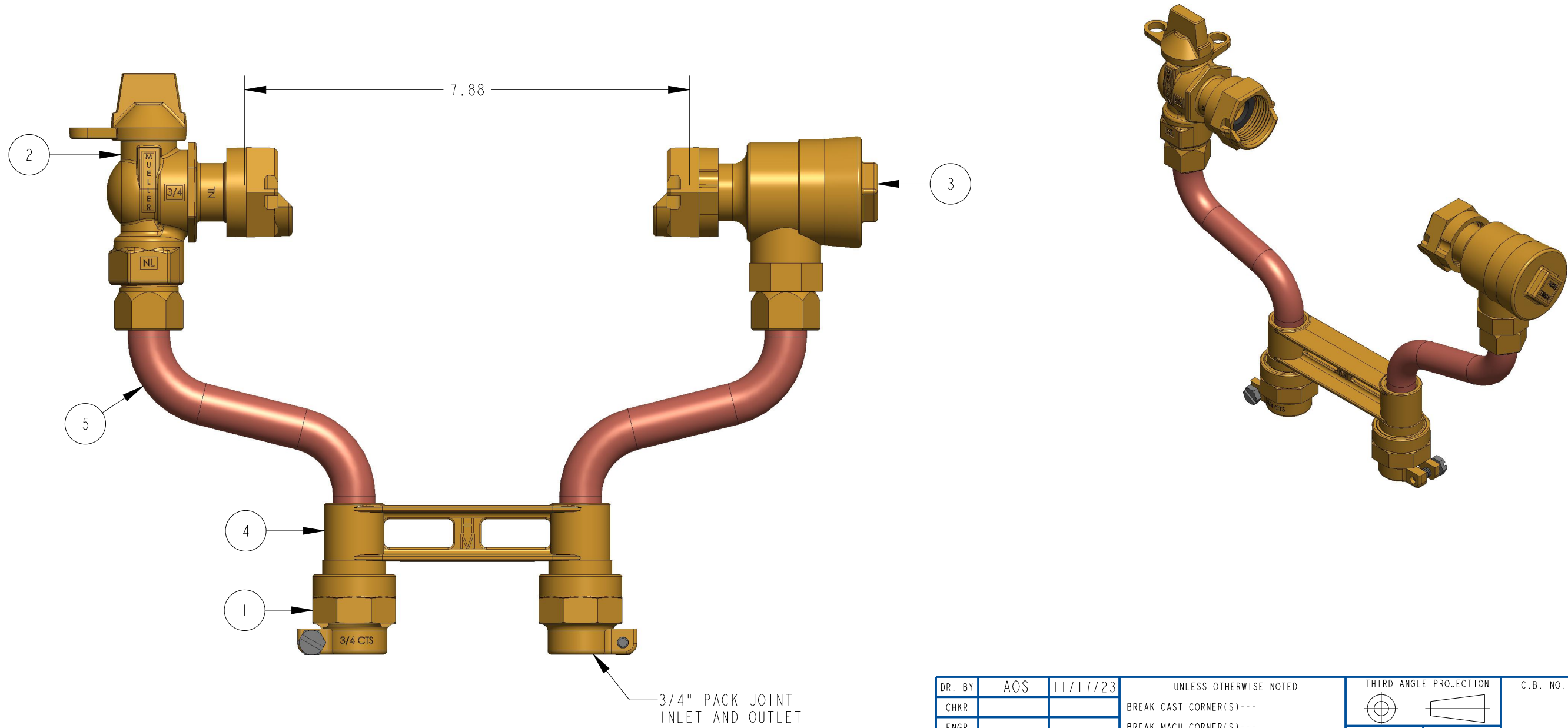


ITEM NO	PART NUMBER	QTY	DESCRIPTION	MATERIAL
1	681921	2	3/4" PACK JOINT	LEAD FREE BRASS ALLOY ASTM B584 C89833/C87850
2	215B2426551N	1	5/8" X 3/4" FULL PORT BALL VALVE	LEAD FREE BRASS ALLOY ASTM B584 C89833/C87850
3	215H14244AN	1	5/8" X 3/4" ASSE DUAL CHECK VALVE	LEAD FREE BRASS ALLOY ASTM B584 C89833/C87850
4	509844E	1	5/8" X 3/4" VERTICAL METER BAR	LEAD FREE BRASS ALLOY ASTM B584 C89833/C87850
5	680001E	2	RISER SUB ASSEMBLY	COPPER ALLOY C12200



DR. BY	AOS	11/17/23	UNLESS OTHERWISE NOTED	THIRD ANGLE PROJECTION	C.B. NO.
CHKR			BREAK CAST CORNER(S)---		
ENGR			BREAK MACH CORNER(S)---	PURCH.	PATT. NO.
MGR			TOLERANCES	FINISH	
MFG			UNLESS OTHERWISE NOTED	REF. NO.	SCALE
TOOL			LINEAR		NONE
FDRY			±	ANGULAR	STK. NO.
MAT'L:					
MUELLER		DESCR. 5/8" X 3/4" COPPER METER SETTER VERTICAL CONNECTIONS LEAD FREE BRASS	NUMBER	203P2474--2A--N	

203P2474--2A--N