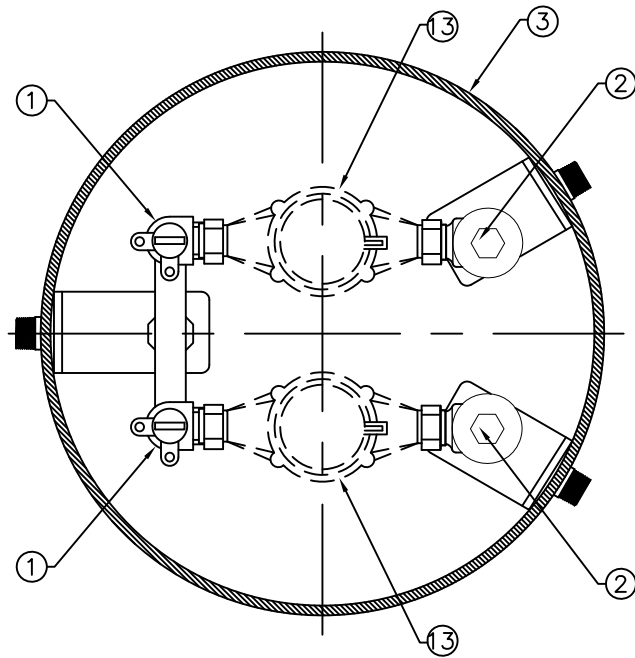
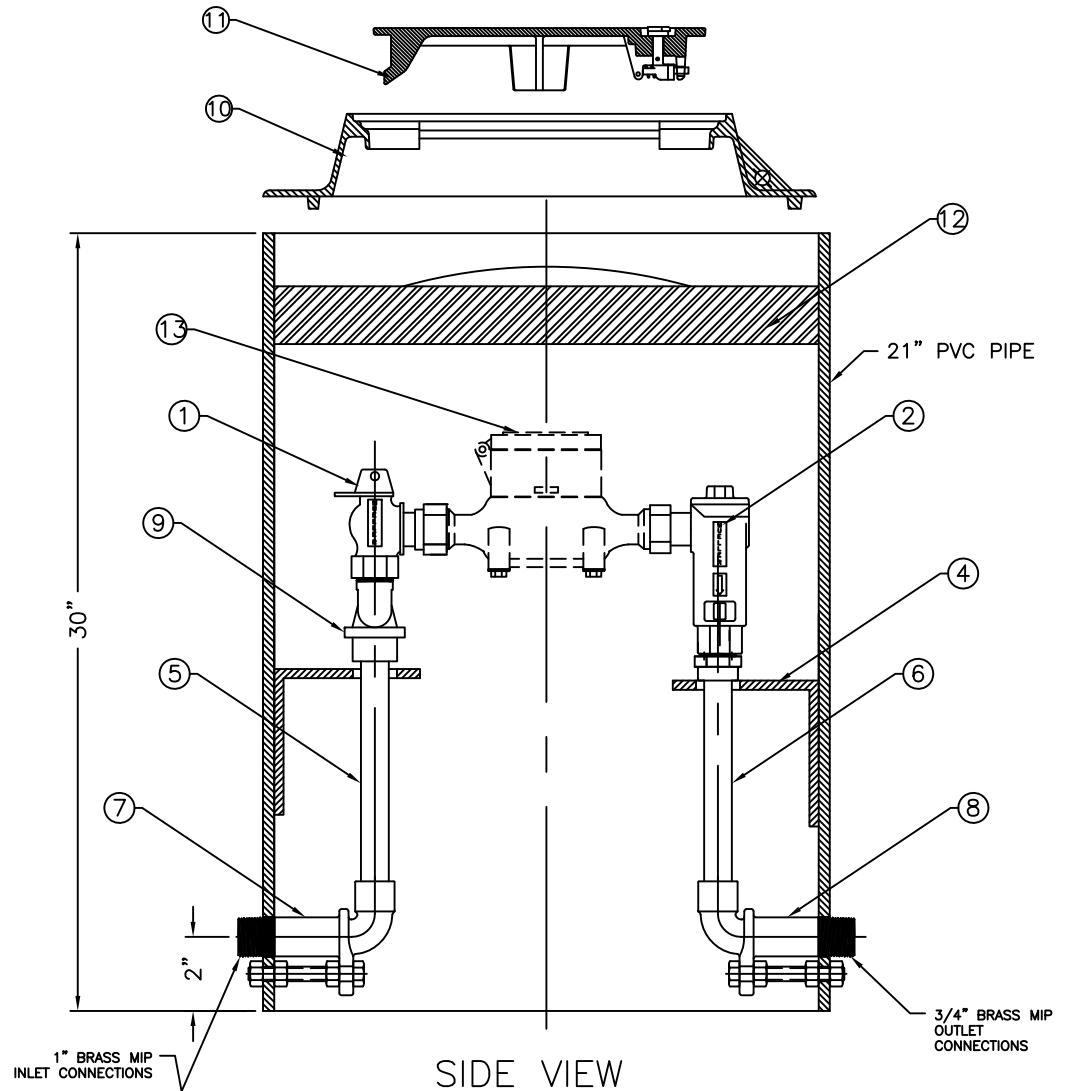


ITEM	DESCRIPTION	PART NO.	REQ'D
1	5/8" X 3/4" FULL PORT BALL VALVE	B24265N	2
2	5/8" X 3/4" VERTICAL CHECK VALVE	H14460AN	2
3	21" SHELL SUB-ASSEMBLY		1
4	STABILIZING BRACKET		3
5	1" RISER SUB-ASSEMBLY		1
6	3/4" RISER SUB-ASSEMBLY		2
7	1" THREADED ELBOW		1
8	3/4" THREADED ELBOW		2
9	1 X 3/4" X 3/4" U BRANCH		1
10	CAST IRON FRAME (OPTIONAL)	700098-1	----
11	18" CAST IRON SIDE LOCKING LID (OPTIONAL)	282925	----
12	21" X 4" INSULATING PAD (OPTIONAL)	790322	----
13	METER (NOT INCLUDED)		----

\*NOTE: METER INCLUDED



TOP VIEW



SIDE VIEW

OPTION CODE: 000237  
 • 12" CENTERLINE FROM TOP OF SHELL

DRFTR	BBF	9/2716	THIRD ANGLE PROJECTION	REF. NO.	SCALE
CHK'R					NONE
E.O. NUMBER				STOCK No.	
<b>Mueller Co.</b>			DESCR.	REV.	NUMBER
			5/8" X 3/4" RIGID COPPER DOUBLE METER PIT 21" DIA X 30" DEPTH LOW LEAD BRASS	203RCD2130FVBN000237N	
				SHEET 1 OF 1	

203RCD2130FVBN000237N

REV.	DESCRIPTION	REF.	DRFTR	CHK'R	APP	DATE