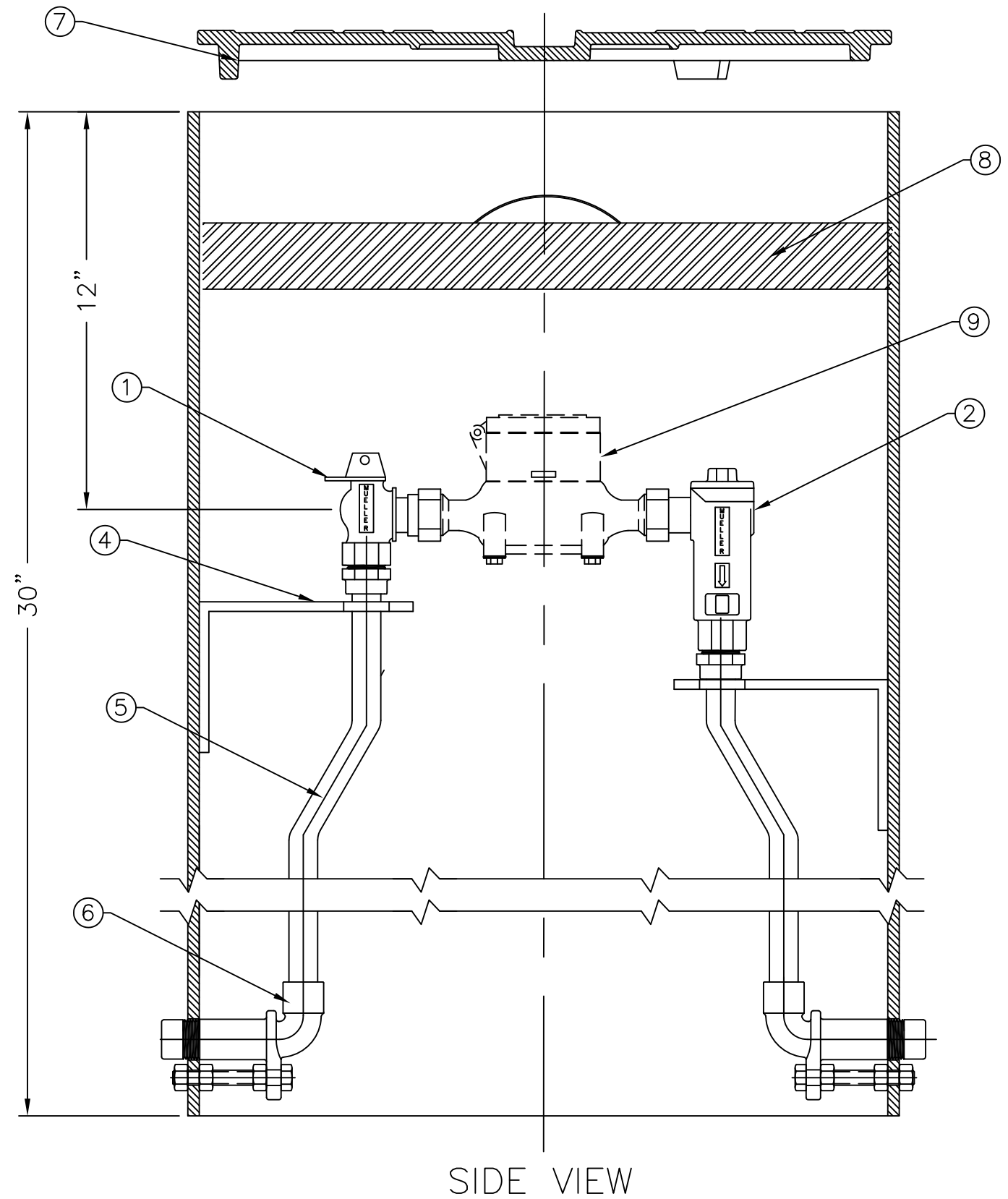
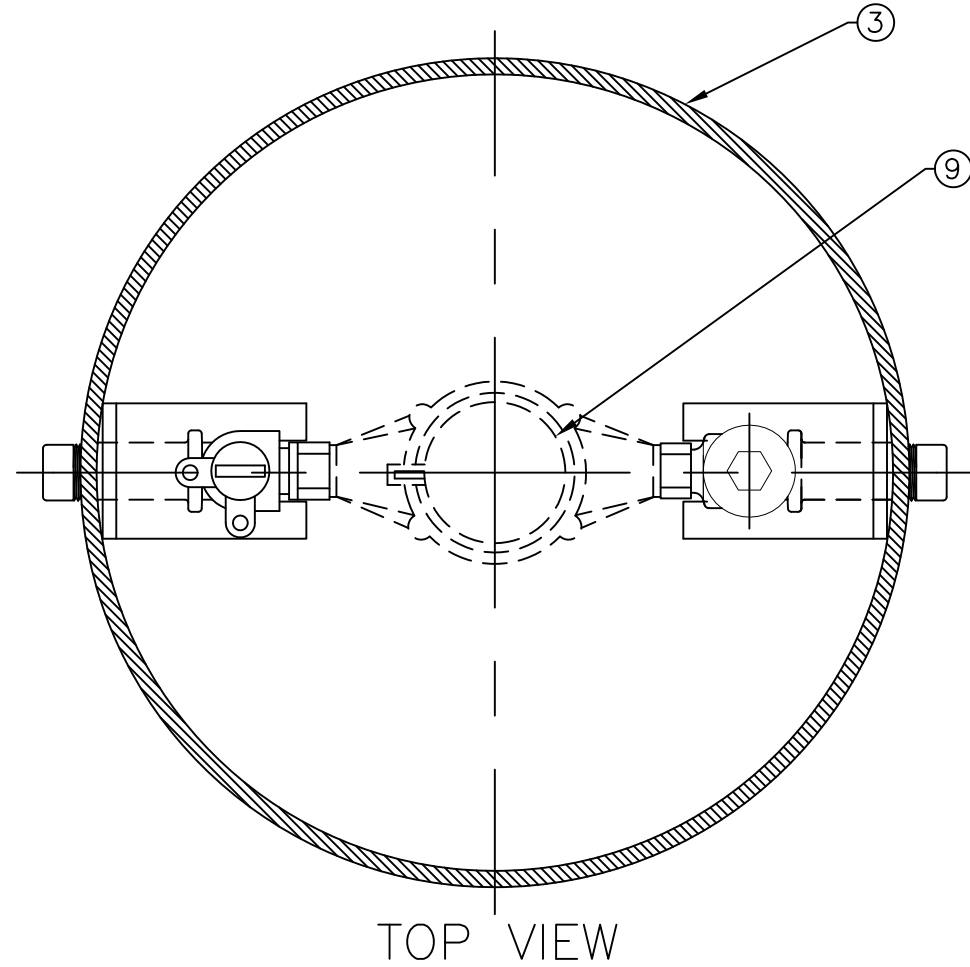


ITEM	DESCRIPTION	PART NO.	REQ'D
1	5/8"x3/4" FULL PORT BALL VALVE	B24265N	1
2	5/8"x3/4" ASSE APPROVED VERT. CHECK VALVE	H14460AN	1
3	18" SHELL SUB-ASSEMBLY		1
4	STABILIZING BRACKET		2
5	3/4" RISER SUB-ASSEMBLY		2
6	3/4" THREADED ELBOW		2
7	18" CAST IRON NON-LOCKING LID (OPTIONAL)	790018	---
8	18" X 2" INSULATING PAD (OPTIONAL)	790163	---
9	METER (NOT INCLUDED)		---

\*NOTE: METER INCLUDED



203RCS1830FVBN000237N

OPTION CODE: 000237

- 12" METER CENTERLINE FROM TOP OF SHELL

DRFT'R	BBF	9/29/17	THIRD ANGLE PROJECTION	REF. NO.	SCALE
CHK'R					NONE
E.O. NUMBER				STOCK No.	
DESCR.			NUMBER		
5/8x3/4" RIGID COPPER SINGLE METER PIT			203RCS1830FVBN000237N		
18" DIA X 30" DEPTH			REV.		
LOW LEAD BRASS			SHEET 1 OF 1		

REV.	DESCRIPTION	REF.	DRFT'R	CHK'R	APP	DATE

**Mueller Co.**