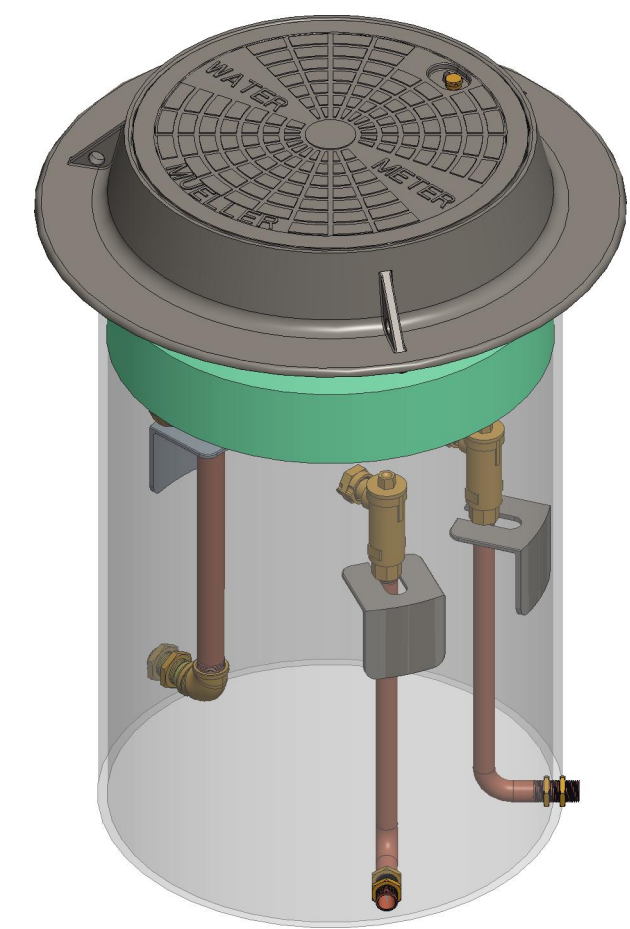
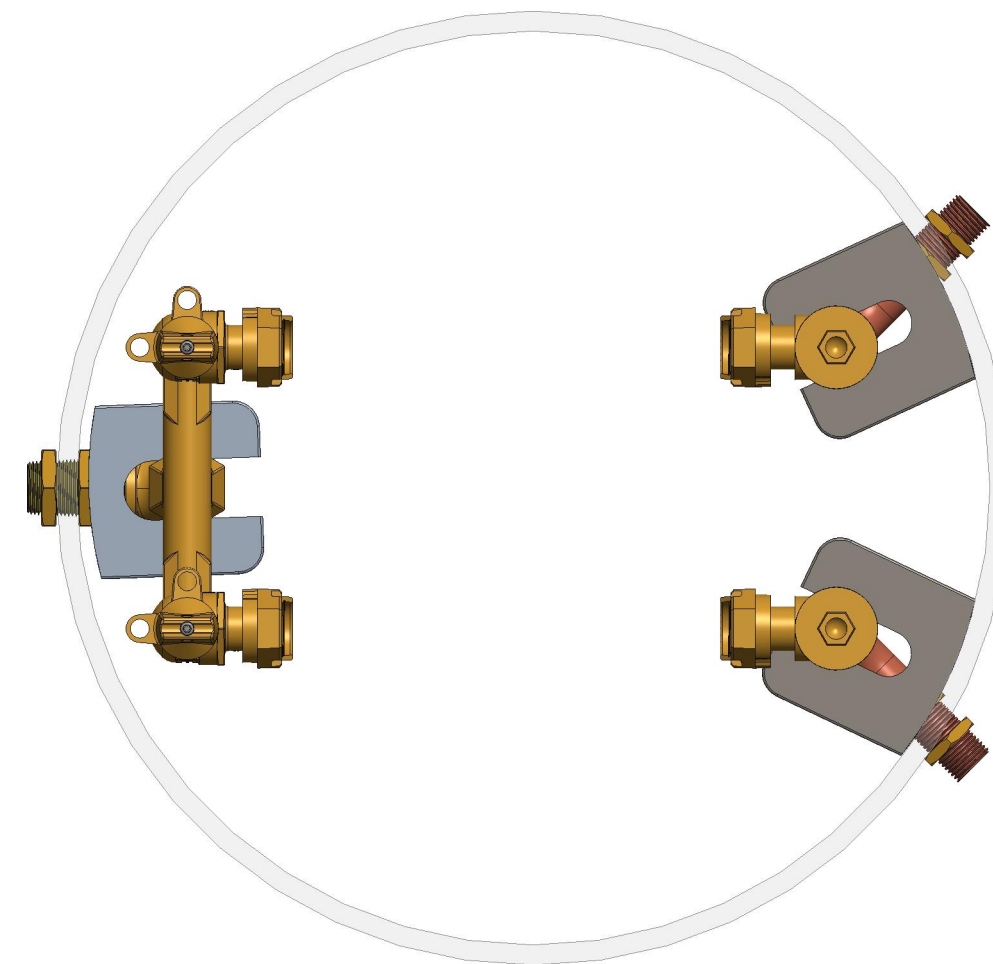


ITEM NO	PART NUMBER	QTY	DESCRIPTION
1	094987	1	1" FNPT ELBOW
2	282925	1	18" DIA CAST IRON SIDE LOCKING LID (SOLD SEPARATELY)
3	534796	1	THREADED PIPE 1" X 14"
4	546396	2	3/4" SUPPORT BRACKET
5	547400	1	1" SUPPORT BRACKET
6	700051-2134	1	SHELL SUB ASSEMBLY
7	700064-1534	2	RISER CONNECTOR
8	700098-1	1	CAST IRON FRAME (PURCHASED SEPARATELY)
9	790006	4	3/4" HEX NUT
10	790010	2	1" HEX NUT
11	790036	1	1" NIPPLE
12	790119	1	21" X 4" INSULATION PAD (SOLD SEPARATELY)
13	215B24265N	2	5/8" X 3/4" FULL PORT BALL VALVE
14	215H14460AN	2	5/8" X 3/4" VERTICAL ASSE APPROVED CHECK VALVE
15	400H15365N	1	1" INLET X 3/4" OUTLET U-BRANCH



DR. BY	AOD	4/20/21	UNLESS OTHERWISE NOTED		THIRD ANGLE PROJECTION		C.B. NO.
CHKR			BREAK CAST CORNER(S)---				
ENGR			BREAK MACH CORNER(S)---		PURCH.	FINISH	PATT. NO.
MGR			TOLERANCES		REF. NO.	SCALE	
MFG			UNLESS OTHERWISE NOTED				
TOOL			LINEAR	ANGULAR			
FDRY			±	±	STR. NO.		
MAT'L:							
<b>Mueller Co.</b>			DESCR 5/8" X 3/4" RIGID DOUBLE METER PIT 21" DIA X 34" DEPTH LOW LEAD BRASS			NUMBER 203RD2134FVBNN	