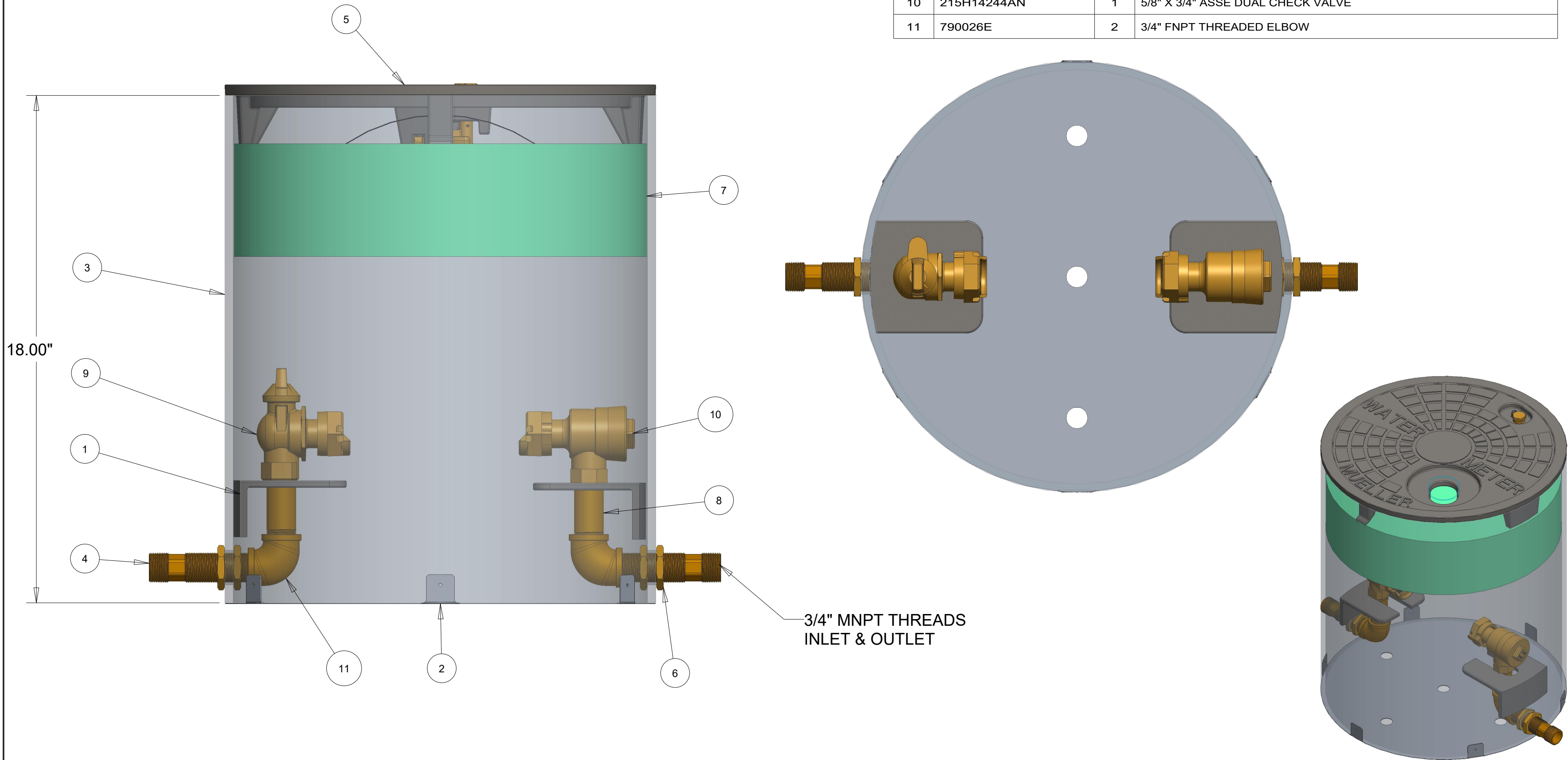


ITEM NO	PART NUMBER	QTY	DESCRIPTION
1	546396_TRIMMED	2	SUPPORT BRACKET
2	548204-HOLES	1	METAL BOTTOM (OPTIONAL)
3	700001-1518	1	SHELL SUB ASSEMBLY
4	700131	2	3/4" NIPPLE WITH WRENCH FLATS
5	780112	1	15IN W/ TOUCH READER HOLE ASSEMBLY (SOLD SEPARATELY)
6	790006	4	3/4" HEX NUT
7	790022	1	15" INSULATION PAD (SOLD SEPARATELY)
8	790281	2	3/4" BRASS NIPPLE
9	215B24265N	1	5/8" X 3/4" FULL PORT BALL VALVE
10	215H14244AN	1	5/8" X 3/4" ASSE DUAL CHECK VALVE
11	790026E	2	3/4" FNPT THREADED ELBOW



OPT000680: OPT000675 (3/4" DRAINAGE HOLES) & LESS UNIVERSAL BRACKET					
DR. BY	DWS	09/06/18	UNLESS OTHERWISE NOTED		THIRD ANGLE PROJECTION
CHKR			BREAK CAST CORNER(S)---		PATT. NO.
ENGR			BREAK MACH CORNER(S)---		
MGR			TOLERANCES UNLESS OTHERWISE NOTED		REF. NO.
MFG			LINEAR	ANGULAR	SCALE
TOOL			±	±	STK. NO.
FDRY			MATERIAL:		
Mueller Co.		DESCR	5/8" X 3/4" RIGID SINGLE METER PIT 15" DIA X 18" DEPTH LOW LEAD BRASS		NUMBER 203RS1518FSAN000680N