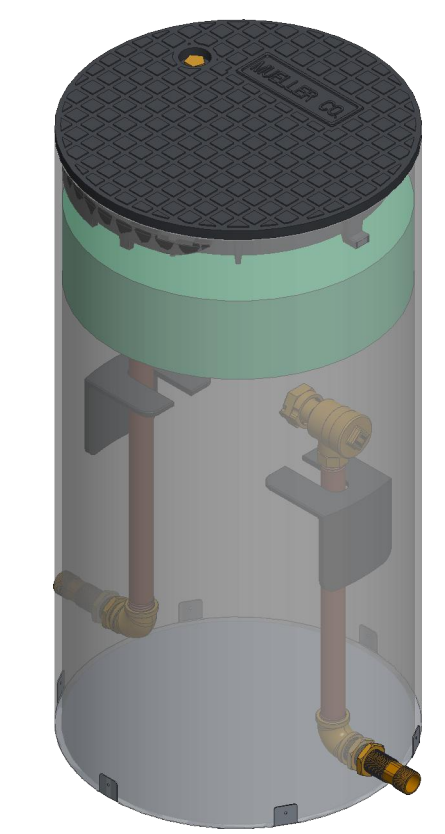
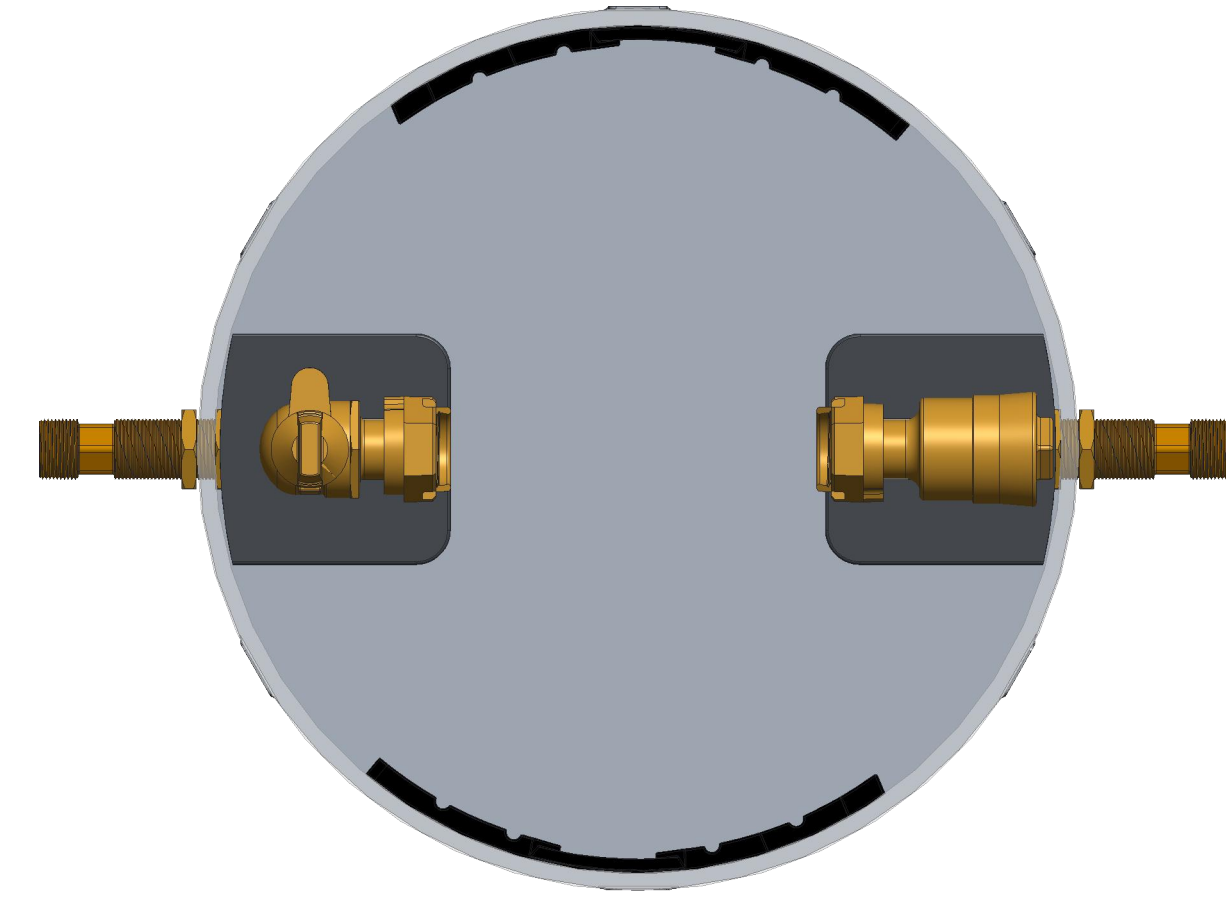
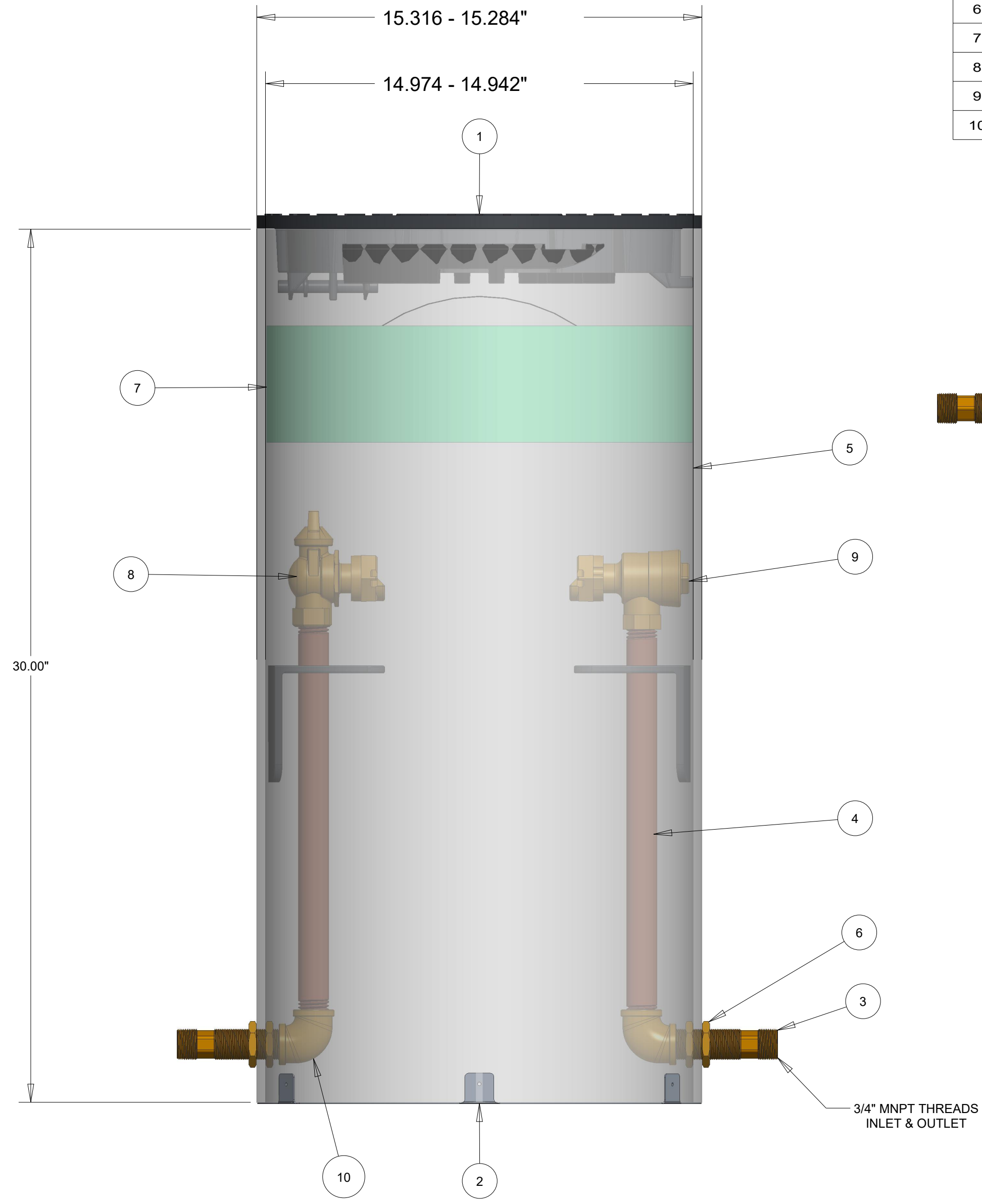


ITEM NO	PART NUMBER	QTY	DESCRIPTION
1	311954	1	15" COMPOSITE SIDE LOCKING LID (SOLD SEPARATELY)
2	548204	1	METAL BOTTOM (OPTIONAL)
3	700131	2	3/4" NIPPLE WITH WRENCH FLATS
4	700265	2	RISER
5	780077-1530	1	SHELL SUB ASSEMBLY
6	790006	4	3/4" HEX NUT
7	790022	1	15" INSULATION PAD (SOLD SEPARATELY)
8	215B24265N	1	5/8" X 3/4" FULL PORT BALL VALVE
9	215H14244AN	1	5/8" X 3/4" ASSE DUAL CHECK VALVE
10	790026E	2	3/4" FNPT THREADED ELBOW



DR. BY	DWS	09/17/18	UNLESS OTHERWISE NOTED		THIRD ANGLE PROJECTION		C.B. NO.	
CHKR			BREAK CAST CORNER(S)---					
ENGR			BREAK MACH CORNER(S)---		PURCH.	FINISH	PATT. NO.	
MGR			TOLERANCES UNLESS OTHERWISE NOTED		REF. NO.	SCALE		
MFG			LINEAR	ANGULAR	STK. NO.			
TOOL			±	±				
FDRY			MATERIAL:					
							NUMBER 203RS1530FSANN	
			DESCR. 5/8" X 3/4" RIGID SINGLE METER PIT 15" DIA X 30" DEPTH LOW LEAD BRASS					