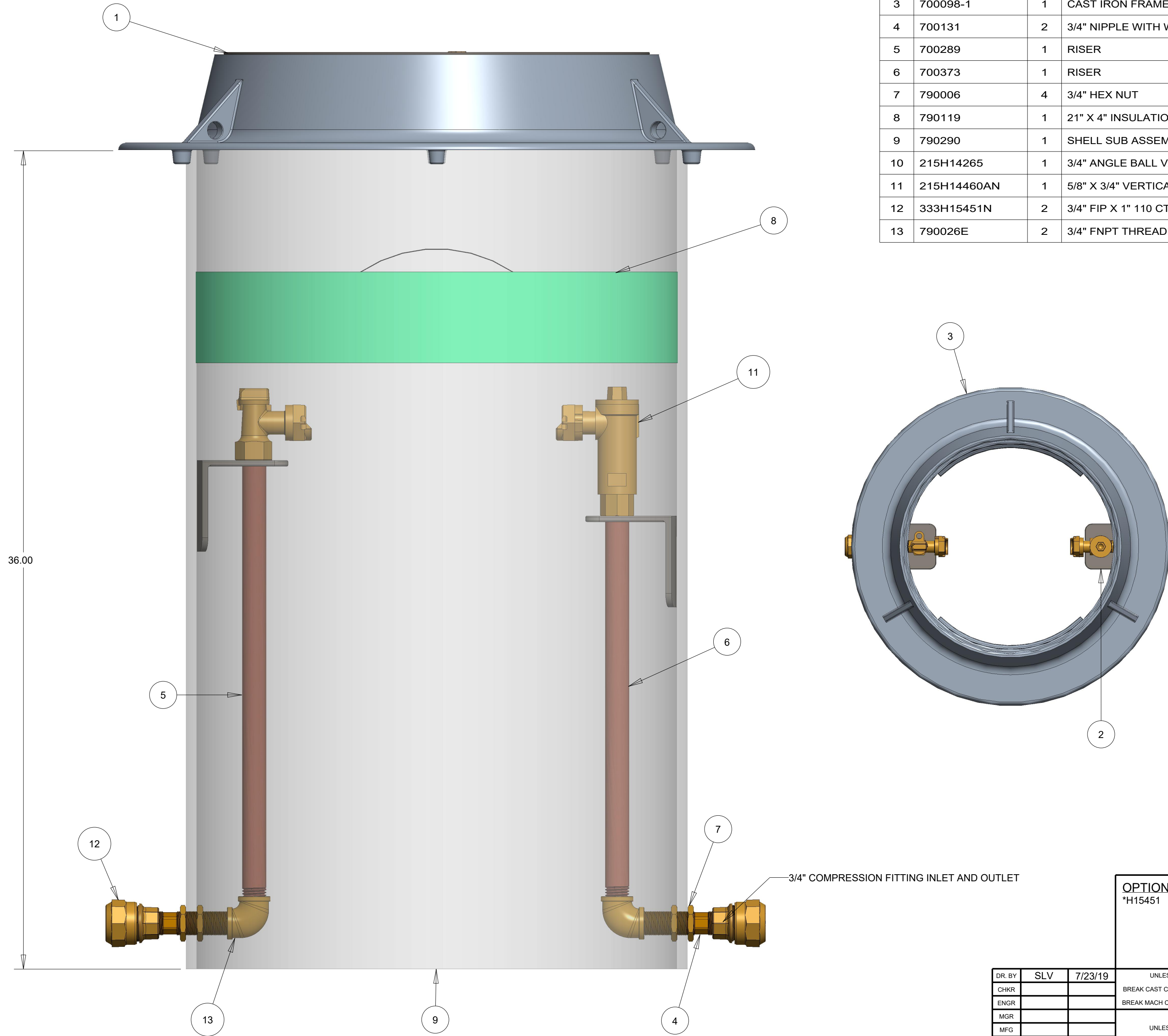


203RS1836LVBS000708N

ITEM NO	PART NUMBER	QTY	DESCRIPTION
1	282925	1	18" DIA CAST IRON SIDE LOCKING LID (SOLD SEPARATELY)
2	546396	2	SUPPORT BRACKET
3	700098-1	1	CAST IRON FRAME (PURCHASED SEPARATELY)
4	700131	2	3/4" NIPPLE WITH WRENCH FLATS
5	700289	1	RISER
6	700373	1	RISER
7	790006	4	3/4" HEX NUT
8	790119	1	21" X 4" INSULATION PAD (SOLD SEPARATELY)
9	790290	1	SHELL SUB ASSEMBLY
10	215H14265	1	3/4" ANGLE BALL VALVE
11	215H14460AN	1	5/8" X 3/4" VERTICAL ASSE APPROVED CHECK VALVE
12	333H15451N	2	3/4" FIP X 1" 110 CTS COMP. TAIL PIECE
13	790026E	2	3/4" FNPT THREADED ELBOW



3/4" COMPRESSION FITTING INLET AND OUTLET

OPTION CODE 708:
 *H15451 333N INSTALLED ON INLET AND OUTLET

DR. BY	SLV	7/23/19	UNLESS OTHERWISE NOTED		THIRD ANGLE PROJECTION		C.B. NO.
CHKR			BREAK CAST CORNER(S)---				
ENGR			BREAK MACH CORNER(S)---		PURCH.	FINISH	PATT. NO.
MGR			TOLERANCES UNLESS OTHERWISE NOTED		REF. NO.	SCALE	
MFG			LINEAR	ANGULAR	STK. NO.		
TOOL			±	±			
FDRY			MATERIAL:				
			DESCR. 5/8x3/4 RIGID SINGLE METER PIT 18" DIA. X 36" DEPTH LOW LEAD BRASS				NUMBER
							203RS1836LVBS000708N