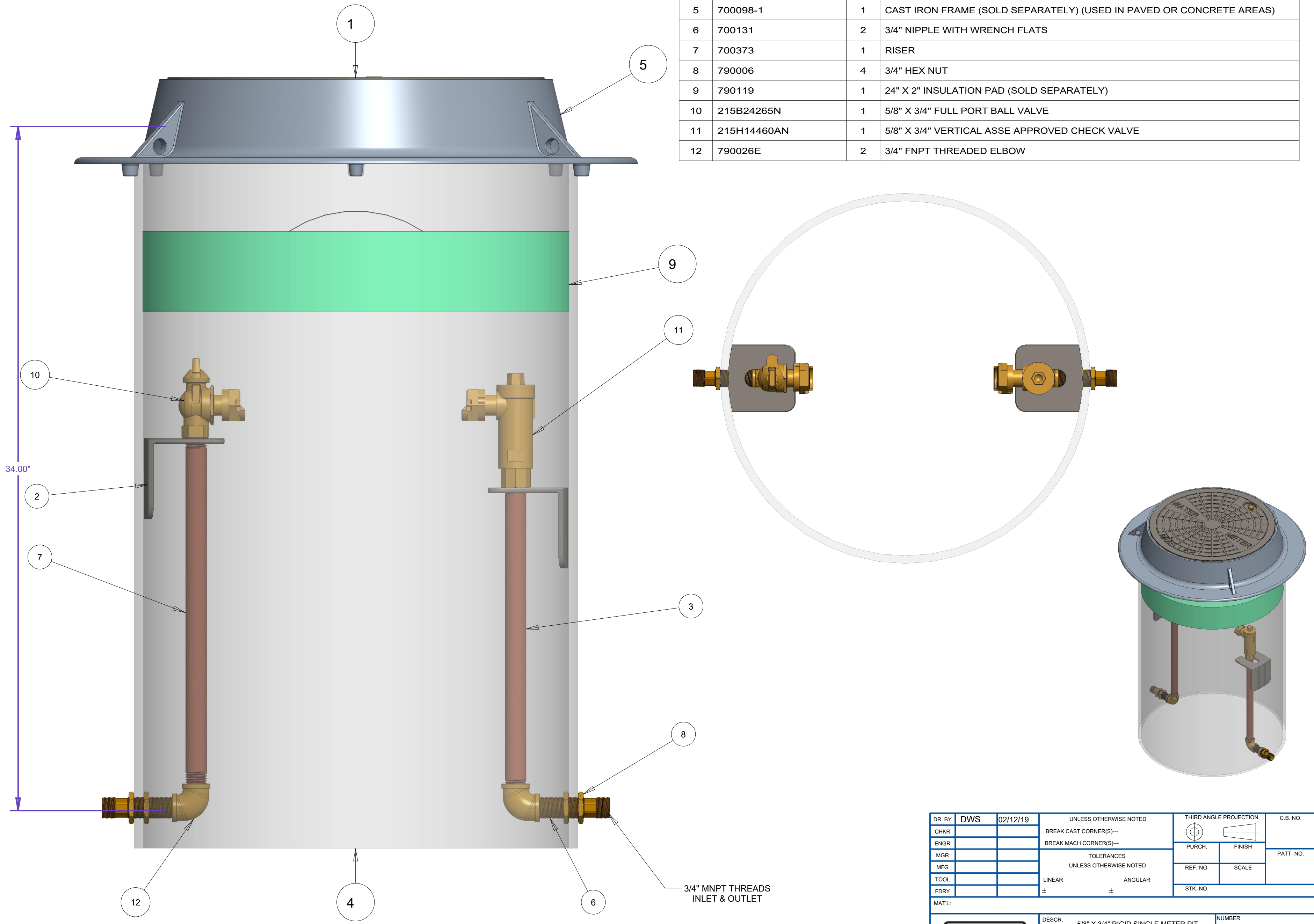


ITEM NO	PART NUMBER	QTY	DESCRIPTION
1	282925	1	18" DIA CAST IRON SIDE LOCKING LID (SOLD SEPERATELY)
2	546396	2	SUPPORT BRACKET
3	548472	1	RISER
4	700051-2134	1	SHELL SUB ASSEMBLY
5	700098-1	1	CAST IRON FRAME (SOLD SEPARATELY) (USED IN PAVED OR CONCRETE AREAS)
6	700131	2	3/4" NIPPLE WITH WRENCH FLATS
7	700373	1	RISER
8	790006	4	3/4" HEX NUT
9	790119	1	24" X 2" INSULATION PAD (SOLD SEPARATELY)
10	215B24265N	1	5/8" X 3/4" FULL PORT BALL VALVE
11	215H14460AN	1	5/8" X 3/4" VERTICAL ASSE APPROVED CHECK VALVE
12	790026E	2	3/4" FNPT THREADED ELBOW



DR. BY	DWS	02/12/19	UNLESS OTHERWISE NOTED		THIRD ANGLE PROJECTION		C.B. NO.	
CHKR			BREAK CAST CORNER(S)---					
ENGR			BREAK MACH CORNER(S)---		PURCH.	FINISH	PATT. NO.	
MGR			TOLERANCES UNLESS OTHERWISE NOTED		REF. NO.	SCALE		
MFG			LINEAR	ANGULAR	STK. NO.			
TOOL			±	±				
FDRY								
MATL:			Mueller Co.				NUMBER 203RS2134FVBN	
			DESCR. 5/8" X 3/4" RIGID SINGLE METER PIT 21" DIA X 34" DEPTH LOW LEAD BRASS					