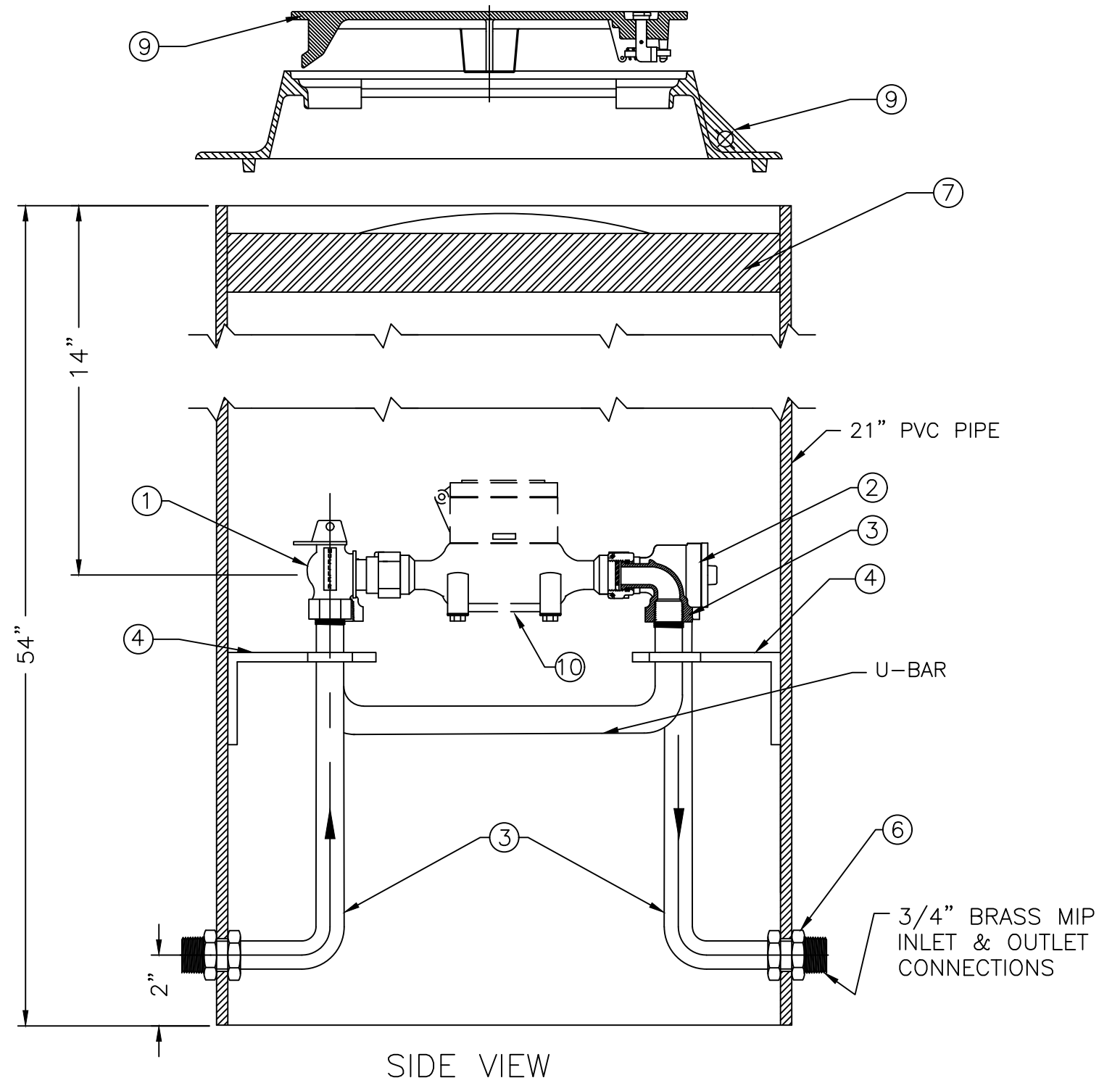
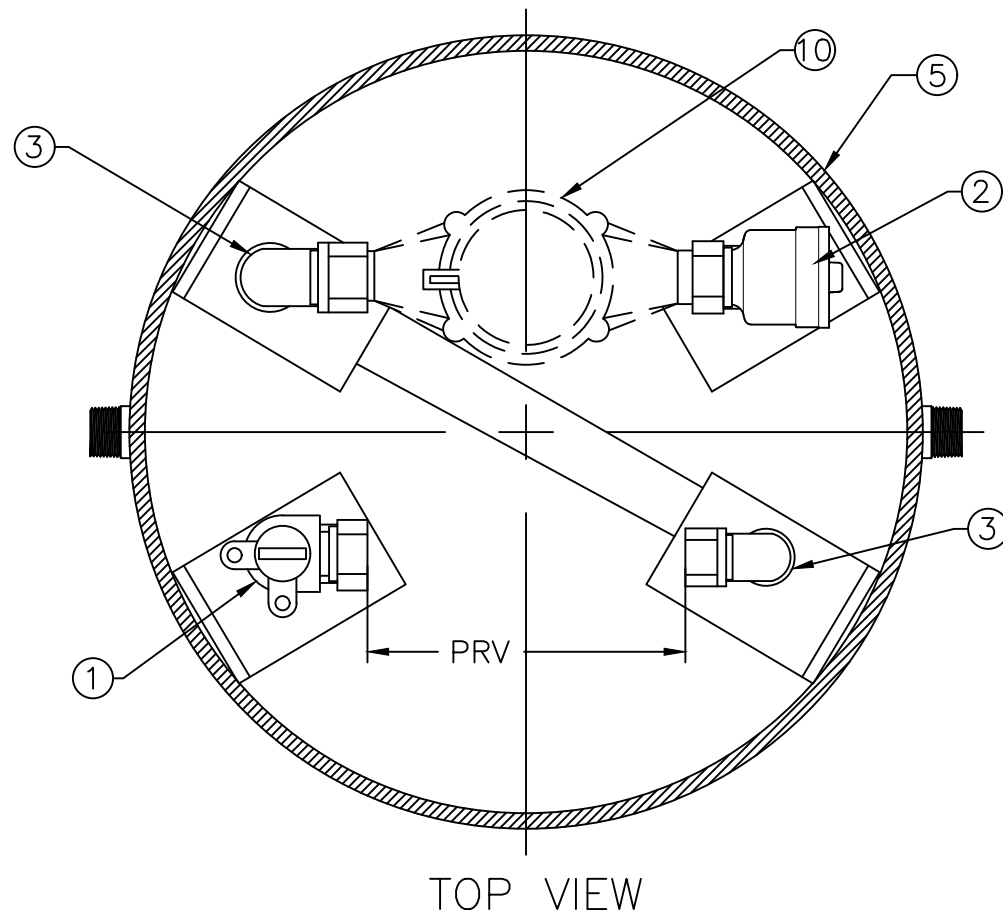


ITEM	DESCRIPTION	PART NO.	REQ'D
1	5/8"X3/4" FULL PORT LOCKWING BALL VALVE	B24265N	1
2	5/8"X3/4" ASSE DUAL ANGLE CHECK VALVE	H14244AN	1
3	5/8"X3/4" METER COUPLING	H14210N	2
4	RISER SUB ASSEMBLY		2
5	STABILIZING BRACKET		4
6	21" SHELL SUB-ASSEMBLY		1
7	3/4" HEX NUTS		4
8	21" X 4" INSULATING PAD (OPTIONAL)	790119	---
9	CAST IRON SIDE LOCKING LID (OPTIONAL)	282927	---
10	CAST IRON FRAME (OPTIONAL)	700098-1	---
11	METER (NOT INCLUDED)		---

*NOTE: METER & PRV NOT INCLUDED



203RT2154FSB000201N

REV.	DESCRIPTION	REF.	DRFT'R	CHK'R	APP	DATE

OPTION CODE: 000201

- FOR WATTS 3/4" #25AUB REGULATOR (SC2719)

DRFT'R	DWS	07/02/18	THIRD ANGLE PROJECTION	REF. NO.	SCALE
CHK'R					NONE
E.O. NUMBER				STOCK No.	
Mueller Co.			DESCR.	REV.	NUMBER
			5/8"X3/4" RIGID TANDEM METER PIT 21" DIA X 54" DEPTH LOW LEAD BRASS		203RT2154FSB000201N
					SHEET 1 OF 1