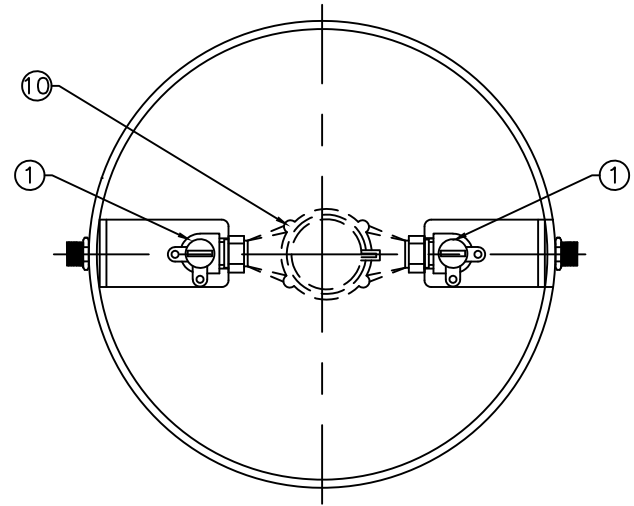


SIDE VIEW

ITEM	DESCRIPTION	PART NO.	REQ'D
1	5/8"X3/4" FULL PORT LOCKWING BALL VALVE	B24278N	2
2	1" X 3/4" BELL REDUCER		2
3	18" SHELL SUB ASSEMBLY		1
4	STABILIZING BRACKET		2
5	1" BRASS RISERS		2
6	EXPANSION HANDWHEEL		1
7	1" HEX NUT		4
8	CAST IRON METER BAR		1
9	CAST IRON SIDE LOCKING LID (OPTIONAL)	282925	---
10	METER (NOT INCLUDED)		---

*NOTE: METER & PRV NOT INCLUDED



TOP VIEW

203YS1848FFBS000048N

OPTION CODE: 000048

- 1" RISERS INSTEAD OF 3/4"

DRFT'R	BBF	6/21/19	THIRD ANGLE PROJECTION	REF. NO.	SCALE
CHK'R					NONE
E.O. NUMBER				STOCK No.	
Mueller Co.			DESCR.	REV.	NUMBER
			5/8"X3/4" YOKE SINGLE METER PIT 18" DIA X 48" DEPTH LOW LEAD BRASS	203YS1848FFBS000048N	203YS1848FFBS000048N
				SHEET 1 OF 1	

REV.	DESCRIPTION	REF.	DRFT'R	CHK'R	APP	DATE