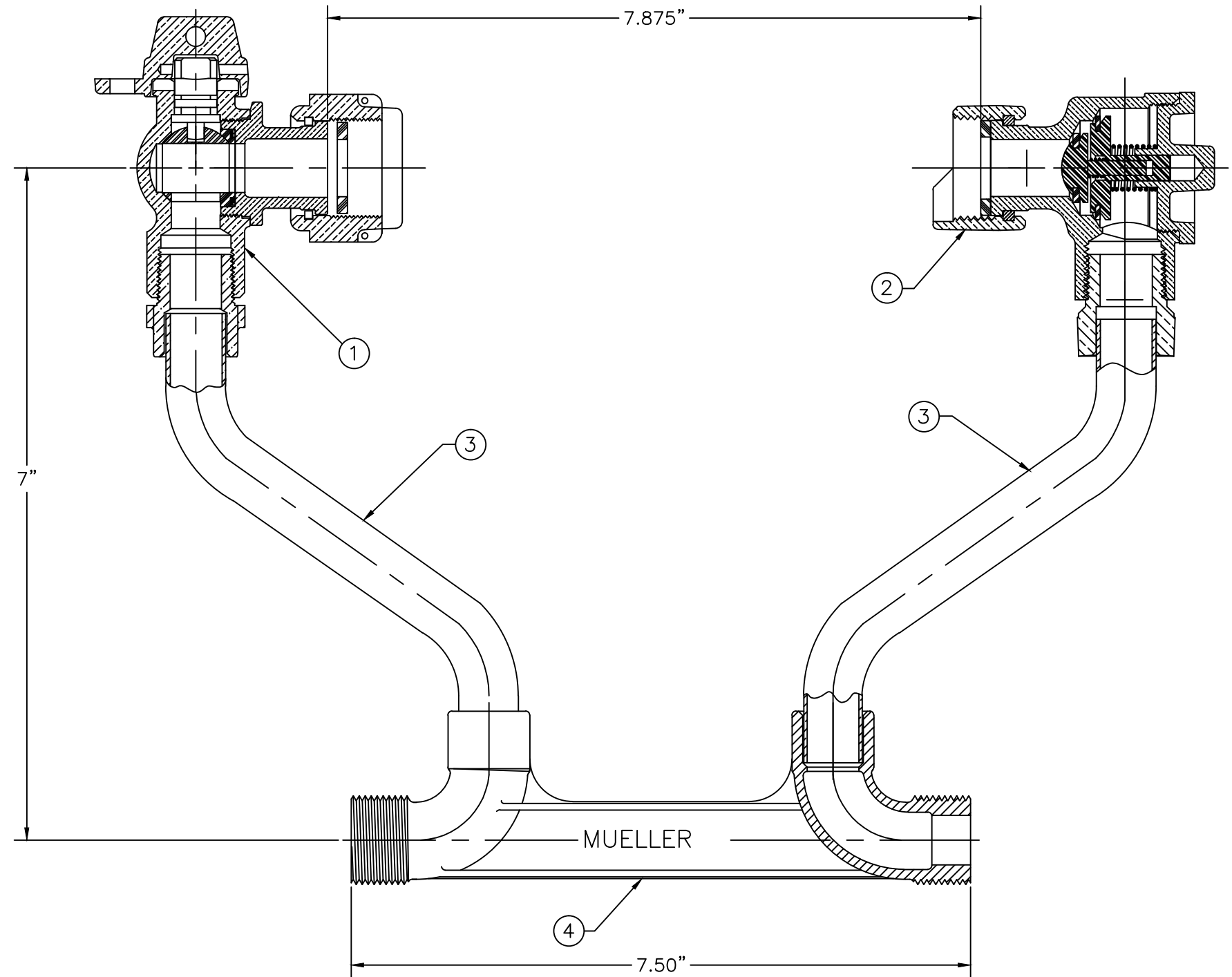


ITEM	DESCRIPTION	PART NO.	REQ'D
1	5/8"x3/4" REDUCED PORT BALL VALVE	B24265RN	1
2	5/8"x3/4" ASSE DUAL ANGLE CHECK VALVE	H14244AN	1
3	RISER SUB ASSEMBLY		2
4	METER BAR		1



234B24118R2A--N

REV.	DESCRIPTION	REF.	DRFT'R	CHK'R	APP	DATE

DRFT'R	AGW	4/13/17	THIRD ANGLE PROJECTION	REF. NO.	SCALE
CHK'R					NONE
E.O. NUMBER				STOCK No.	
Mueller Co.			DESCR.	NUMBER	
			5/8 X 3/4" X 7" METER RELOCATOR *LOW LEAD BRASS*	234B24118R2A--N	
				SHEET 1 OF 1	