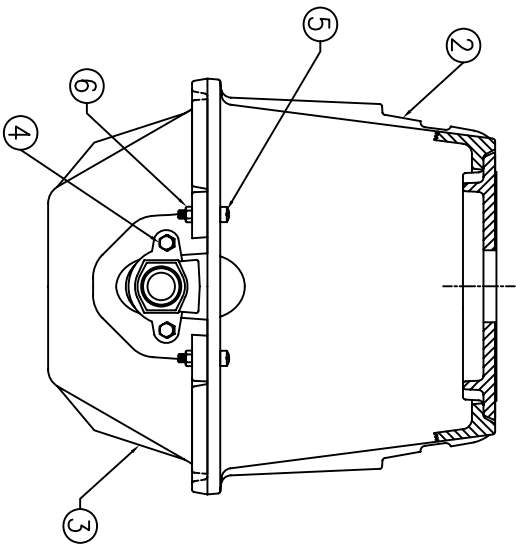
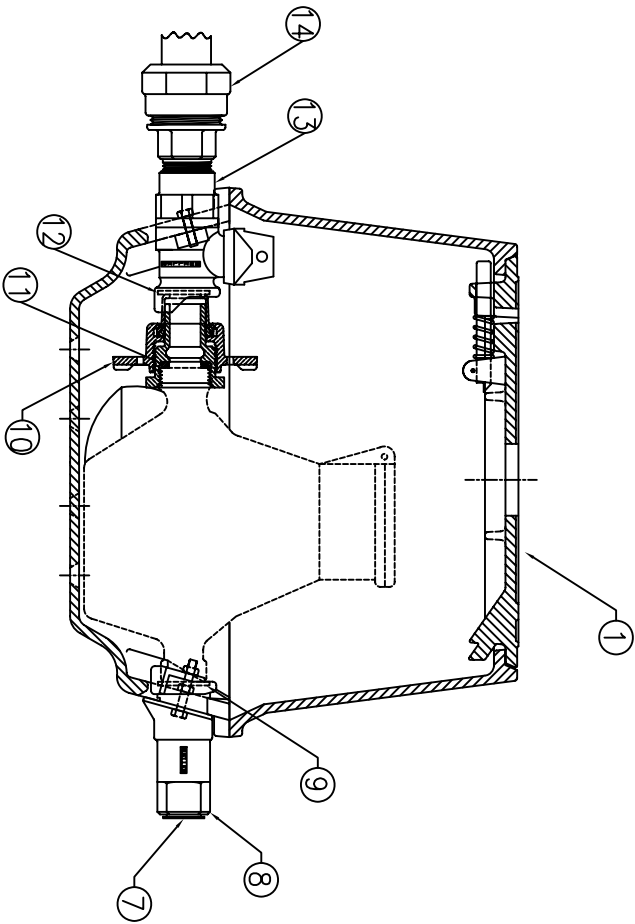


REF. DESCRIPTION REF. QUANT. UNIT REF. QUANT. UNIT



PARTS LIST		ROD MATERIAL	ASTM	CLASS
1	LOCKING LID W/ READ HOLE	1	CAST IRON A126	CLASS B
2	METER BOX UPPER SECT.	1	CAST IRON A126	CLASS B
3	METER BOX BASE TRAY	1	CAST IRON A126	CLASS B
4	HEX HEAD CAP SCREW	4	STAINLESS STEEL	
5	FILUSTER HEAD MACH. SCREW	4	STAINLESS STEEL	
6	RETAINING NUT	4	STAINLESS STEEL	
7	CAP PLUG	2	POLYETHYLENE	
8	DOUBLE CHECK VALVE	1	BRONZE B62	
9	GASKET	1	RUBBER	
10	HANDWHEEL EXPANSION UNIT	1	BRONZE B62	
11	GASKET	1	RUBBER	
12	GASKET	1	RUBBER	
13	INLET BALL VALVE	1	BRONZE B62	
14	COMPRESSION COUPLING	1	BRONZE B62	

ECC: 1553715

		TRADEMARKS - MANUFACTURED BY CANNON INSTRUMENT WORKS 1000 W. 10th St. - Denver, CO 80202		MADE IN U.S.A.	
MODEL NO. 234B2454 SERIAL NO. 1553715	DATE OF MANUFACTURE 5-24-70	DRAWING NO. 234B2454-5	QUANTITY 1	UNIT EACH	TOTAL QUANTITY 1
CHECKED BY: [Signature] DATE: 5-24-70		DESIGNED BY: [Signature] DATE: 5-24-70		DRAWN BY: [Signature] DATE: 5-24-70	