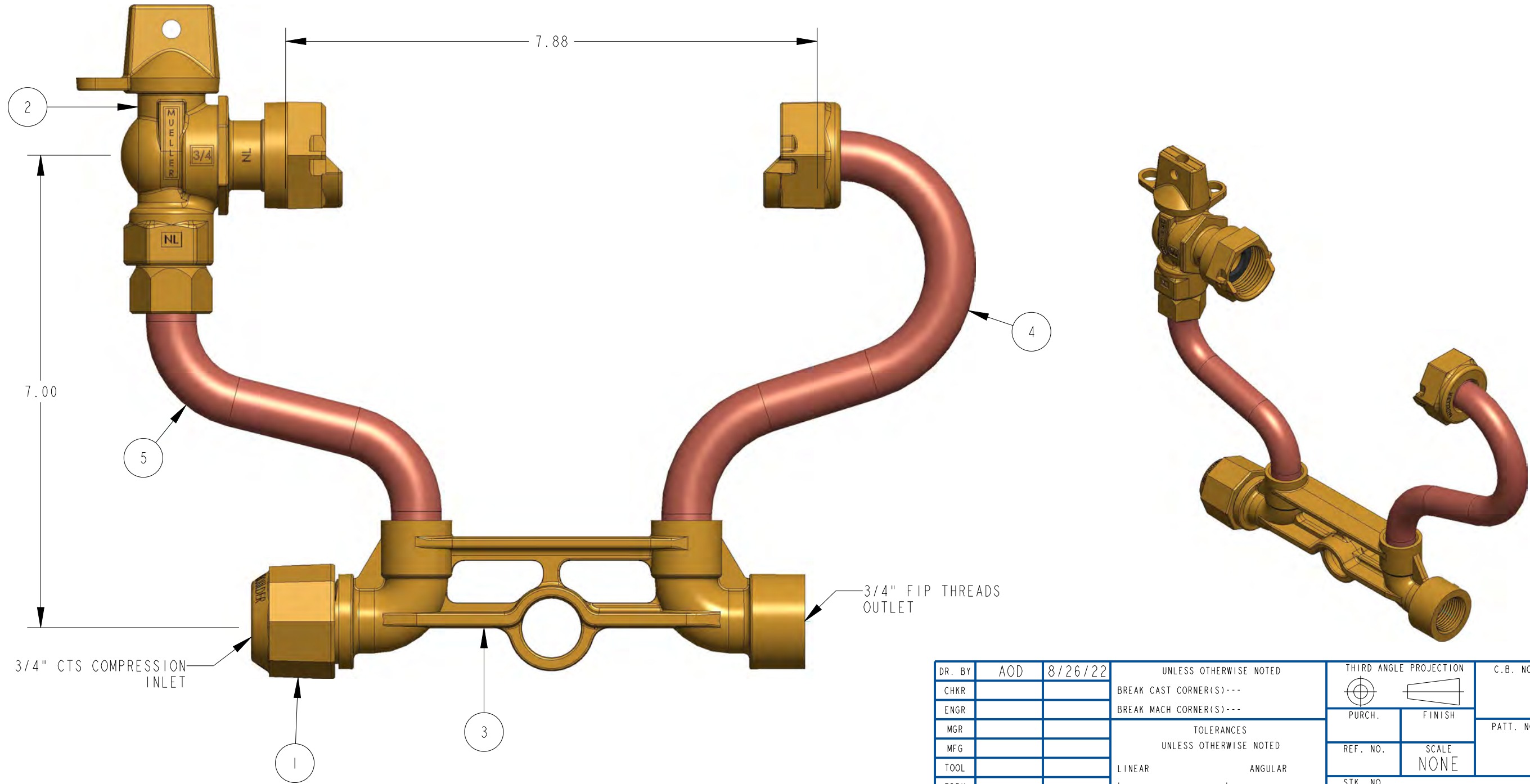


ITEM NO	PART NUMBER	QTY	DESCRIPTION
1	507831	1	3/4" CTS 110 COMPRESSION
2	215B2426551RN	1	5/8" X 3/4" REDUCED PORT BALL VALVE
3	532245E	1	METER BAR 3/4" CTS COMPRESSION X FIP LLB
4	581811E	1	RISER SUB ASSEMBLY W/ SADDLE NUT
5	680001E	1	RISER SUB ASSEMBLY



DR. BY	AOD	8/26/22	UNLESS OTHERWISE NOTED		THIRD ANGLE PROJECTION	C.B. NO.
CHKR			BREAK CAST CORNER(S)---			
ENGR			BREAK MACH CORNER(S)---		PURCH.	PATT. NO.
MGR			TOLERANCES		FINISH	
MFG			UNLESS OTHERWISE NOTED		REF. NO.	
TOOL			LINEAR	ANGULAR	SCALE	
FDRY			±	±	NONE	
MAT'L:					STK. NO.	
<b>MUELLER</b>			DESCR. 5/8" X 3/4" COPPER METER SETTER		NUMBER	
			7" RISER HEIGHT LOW LEAD BRASS		234B2498-R----	

234B2498-R----