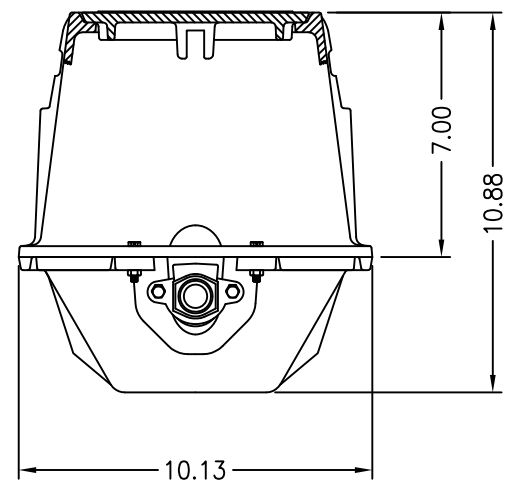
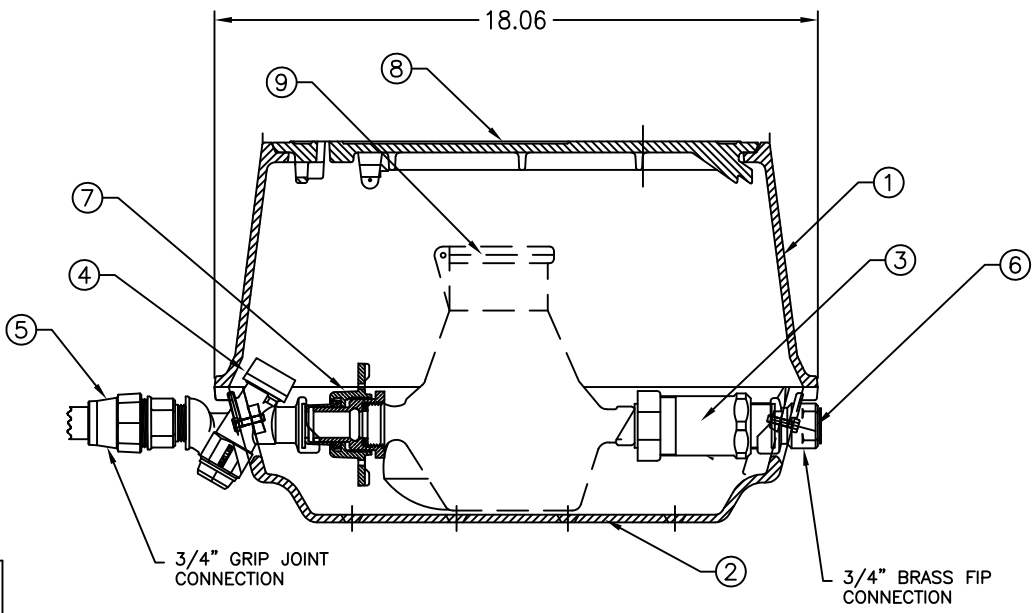


ITEM	DESCRIPTION	PART NO.	REQ'D
1	CAST IRON METER BOX UPPER SECTION		1
2	CAST IRON METER BOX BASE TRAY		1
3	3/4" INLINE CHECK	311930E	1
4	3/4" ANGLE VALVE		1
5	3/4" GRIP JOINT FITTING		1
6	3/4" METER COUPLING X 3/4" FIP CONNECTION		1
7	EXPANSION HANDWHEEL	H14234N	1
8	CAST IRON NON-LOCKING METER LID		1
9	METER (NOT INCLUDED)		1



234G1462--5---N

REV.	DESCRIPTION	REF.	DRFTR	CHK'R	APP	DATE

DRFTR	BBF	9/8/17	THIRD ANGLE PROJECTION	REF. NO.	SCALE
CHK'R					NONE
E.O. NUMBER				STOCK No.	
<b>Mueller Co.</b>			DESCR.	REV.	NUMBER
			5/8" x 3/4" CAST IRON STRETCH METER BOX LOW LEAD BRASS	234G1462--5---N	234G1462--5---N
				SHEET 1 OF 1	