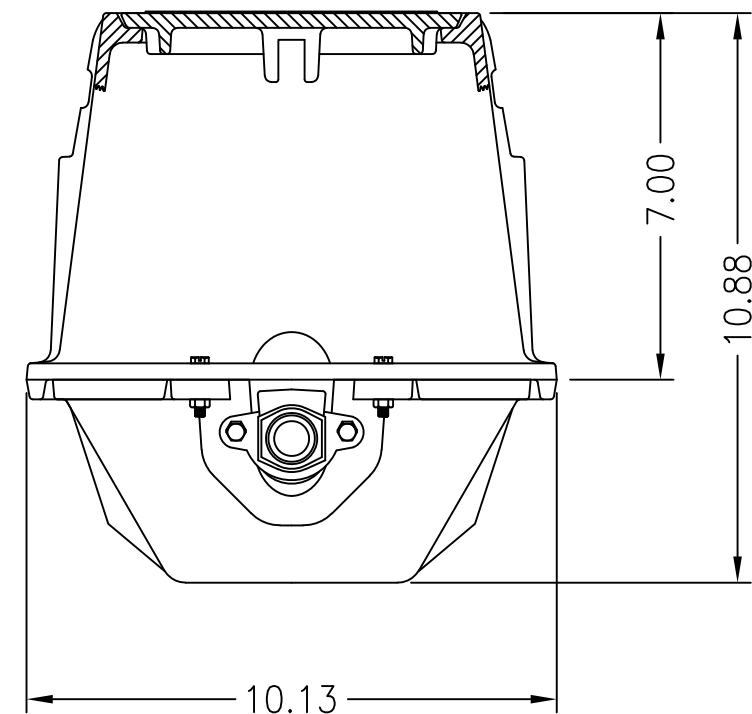
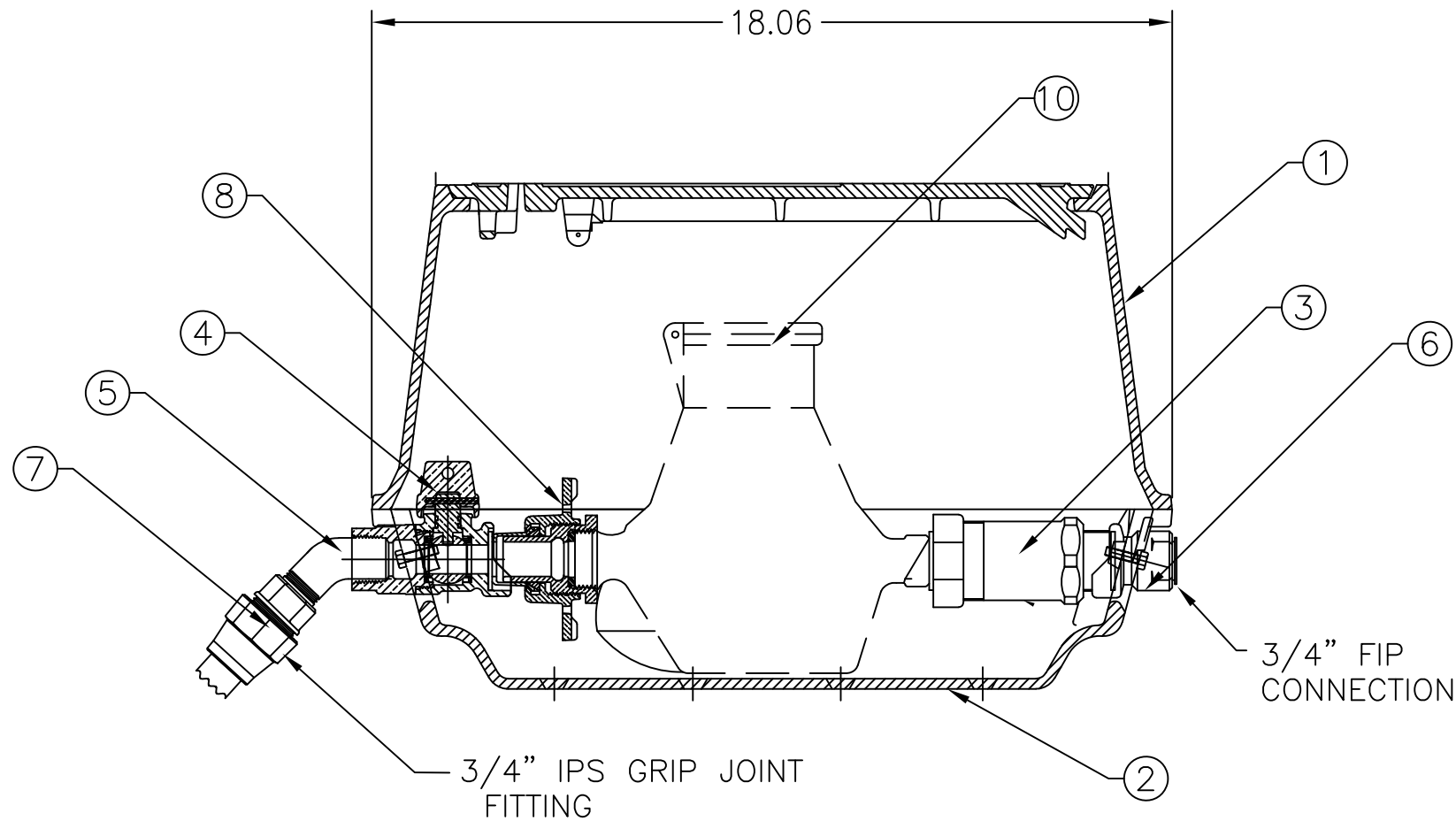


| ITEM | DESCRIPTION | PART NO. | REQ'D |
|------|---|----------|-------|
| 1 | CAST IRON METER BOX UPPER SECTION | | 1 |
| 2 | CAST IRON METER BOX BASE TRAY | | 1 |
| 3 | 3/4" INLINE CHECK | 311930E | 1 |
| 4 | 3/4" REDUCED PORT BALL VALVE | 683021N | 1 |
| 5 | 3/4" MIP X 3/4" MIP 1/8 BEND FITTING | | 1 |
| 6 | 3/4" METER COUPLING X 3/4" FIP CONNECTION | | 1 |
| 7 | 3/4" IPS GRIP JOINT FITTING | | 1 |
| 8 | EXPANSION HANDWHEEL | H14234N | 1 |
| 9 | CAST IRON METER LID (NON-LOCKING) | | 1 |
| 10 | METER (NOT INCLUDED) | | |



234G2462--C-16N

OPTION CODE: 16

- 1/8 MIP X MIP FITTING ATTACHED TO INLET & A 3/4" X 3/4" IPS GRIP JOINT ATTACHED

| | | | | | |
|-------------|-----|----------|---|-----------|-----------------|
| DRFT'R | BBF | 10/23/18 | THIRD ANGLE PROJECTION | REF. NO. | SCALE |
| CHK'R | | | | | NONE |
| E.O. NUMBER | | | | STOCK No. | |
| | | | DESCR. | REV. | NUMBER |
| | | | 5/8" x 3/4" CAST IRON STRETCH METER BOX | | 234G2462--C-16N |
| | | | | | SHEET 1 OF 1 |

| REV. | DESCRIPTION | REF. | DRFT'R | CHK'R | APP | DATE |
|------|-------------|------|--------|-------|-----|------|
| | | | | | | |