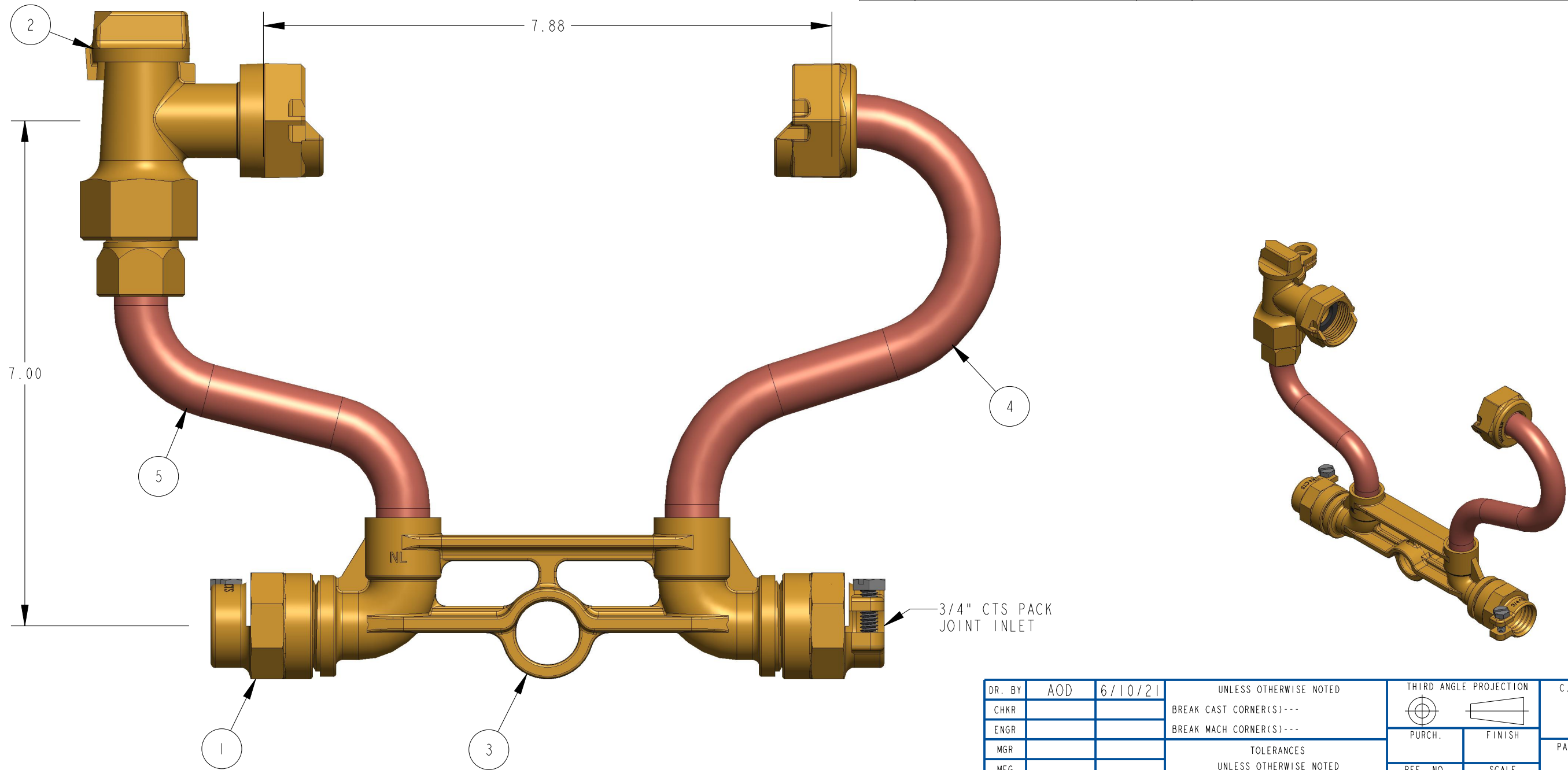


ITEM NO	PART NUMBER	QTY	DESCRIPTION
1	681921	2	3/4" PACK JOINT
2	215H14265	1	3/4" ANGLE BALL VALVE
3	532077E	1	METER BAR 3/4" CTS COMPRESSION LLB
4	581811E	1	RISER SUB ASSEMBLY W/ SADDLE NUT
5	680001E	1	RISER SUB ASSEMBLY



DR. BY	AOD	6/10/21	UNLESS OTHERWISE NOTED	THIRD ANGLE PROJECTION	C.B. NO.
CHKR			BREAK CAST CORNER(S)---		
ENGR			BREAK MACH CORNER(S)---	PURCH.	PATT. NO.
MGR			TOLERANCES	FINISH	
MFG			UNLESS OTHERWISE NOTED	REF. NO.	SCALE
TOOL			LINEAR		NONE
FDRY			±	ANGULAR	STK. NO.
MAT'L:					
<b>Mueller Co.</b>			DESCR. 5/8" X 3/4" COPPER METER SETTER 7" RISER HEIGHT LOW LEAD BRASS	NUMBER 234P1470-----N	

234P1470-----N