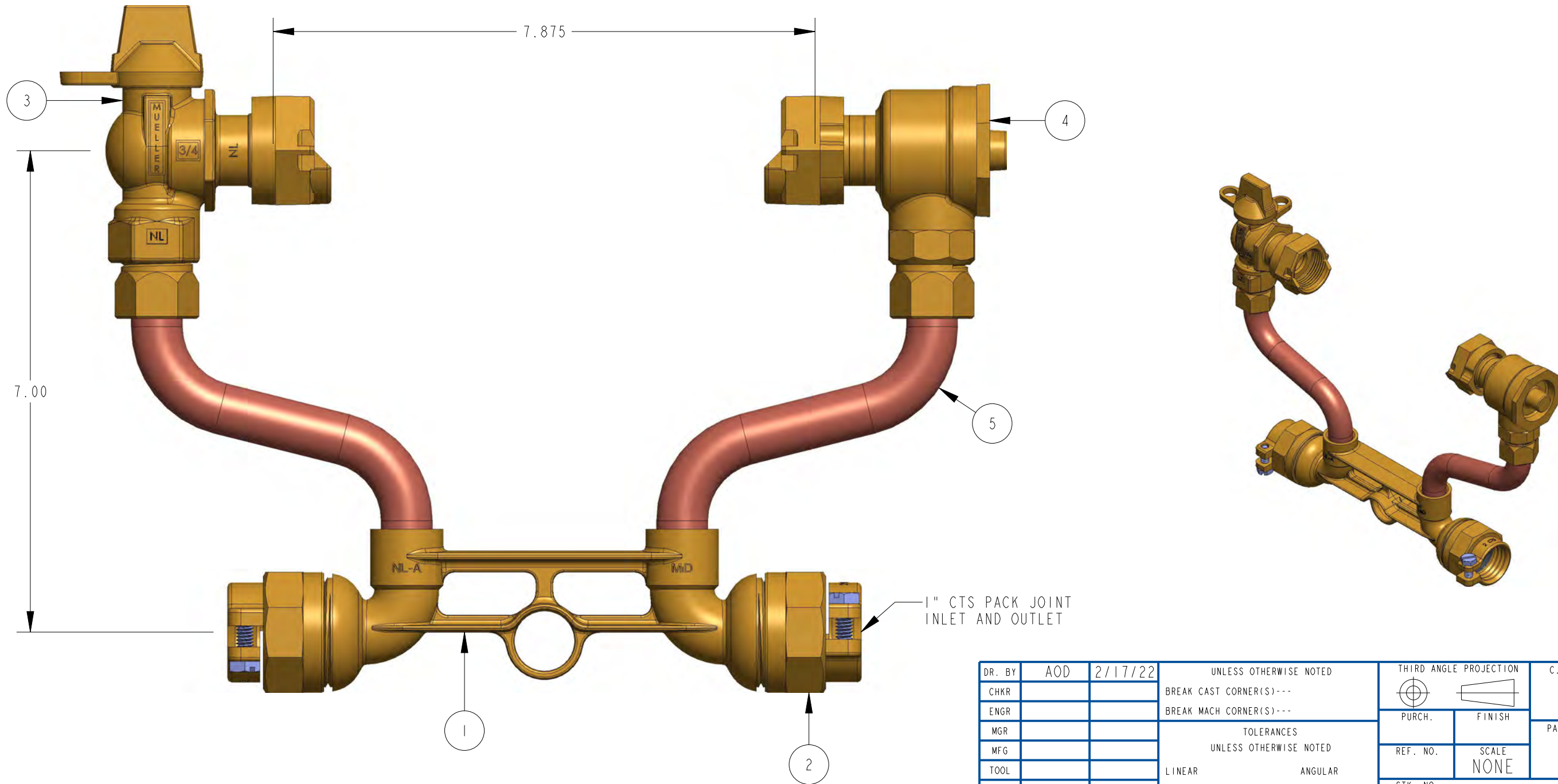


ITEM NO	PART NUMBER	QTY	DESCRIPTION
1	532091	1	110 COMP METER BAR WITH BRACING EYE
2	681922	2	1" CTS PACK JOINT
3	215B242655IN	1	5/8" X 3/4" REDUCED PORT BALL VALVE
4	215H14244	1	5/8" X3/4" DUAL CHECK VALVE
5	680001E	2	RISER SUB ASSEMBLY



DR. BY	AOD	2/17/22	UNLESS OTHERWISE NOTED		THIRD ANGLE PROJECTION	C.B. NO.
CHKR			BREAK CAST CORNER(S)---			
ENGR			BREAK MACH CORNER(S)---		PURCH.	PATT. NO.
MGR			TOLERANCES		FINISH	
MFG			UNLESS OTHERWISE NOTED		REF. NO.	SCALE
TOOL			LINEAR	ANGULAR	STK. NO.	NONE
FDRY			±	±		
MAT'L:						
MUELLER			DESCR. 5/8" X3/4" COPPER METER SETTER 7" RISER HEIGHT LOW LEAD BRASS		NUMBER 234P24701-2---N	

234P24701-2---N