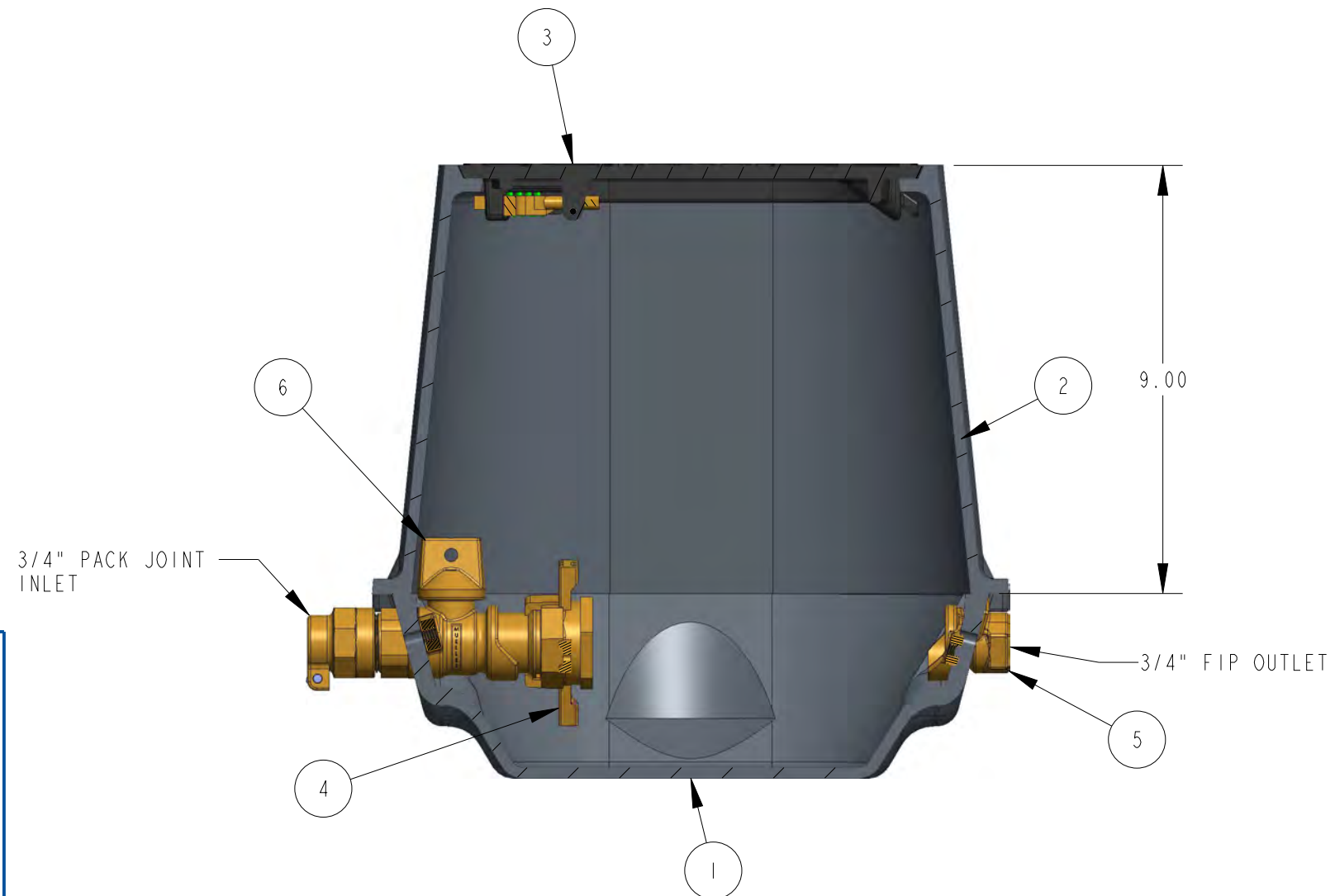


ITEM NO	PART NUMBER	QTY	DESCRIPTION
1	508551_PART_	1	BASE TRAY
2	508553_PART_	1	9" BOX UPPER SECTION
3	544495	1	TOUCH READ LID
4	250H14234N	1	3/4" HANDWHEEL EXPANSION
5	508563E	1	3/4" INSIDE IP THREAD OUTLET
6	682386N	1	3/4" IRON MTR BOX BV



DR. BY	JBK	11/17/22	UNLESS OTHERWISE NOTED	THIRD ANGLE PROJECTION	C.B. NO.
CHKR			BREAK CAST CORNER(S)---		
ENGR			BREAK MACH CORNER(S)---	PURCH.	PATT. NO.
MGR			TOLERANCES	FINISH	
MFG			UNLESS OTHERWISE NOTED	REF. NO.	SCALE
TOOL			LINEAR		NONE
FDRY			±	ANGULAR	STK. NO.
MAT'L:					
MUELLER			DESCR. 5/8" X 3/4" CAST IRON METER BOX 9" HEIGHT LOW LEAD BRASS	NUMBER 236P2452--5---N	

236P2452--5---N