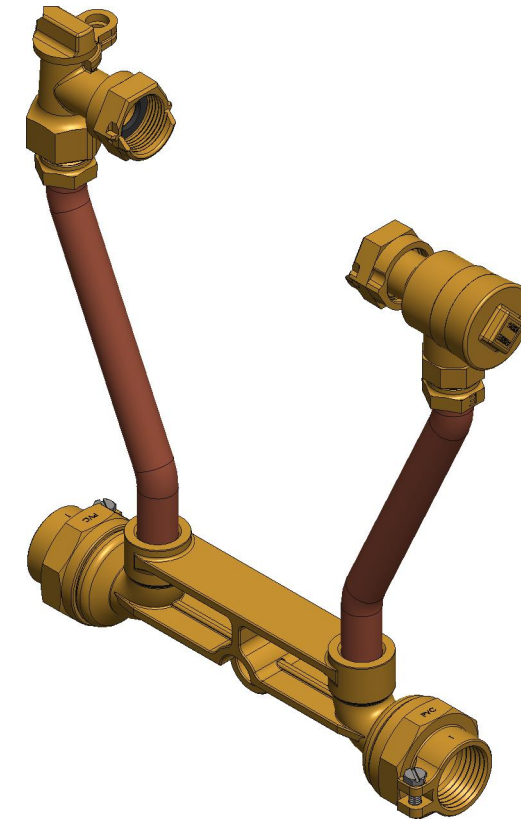
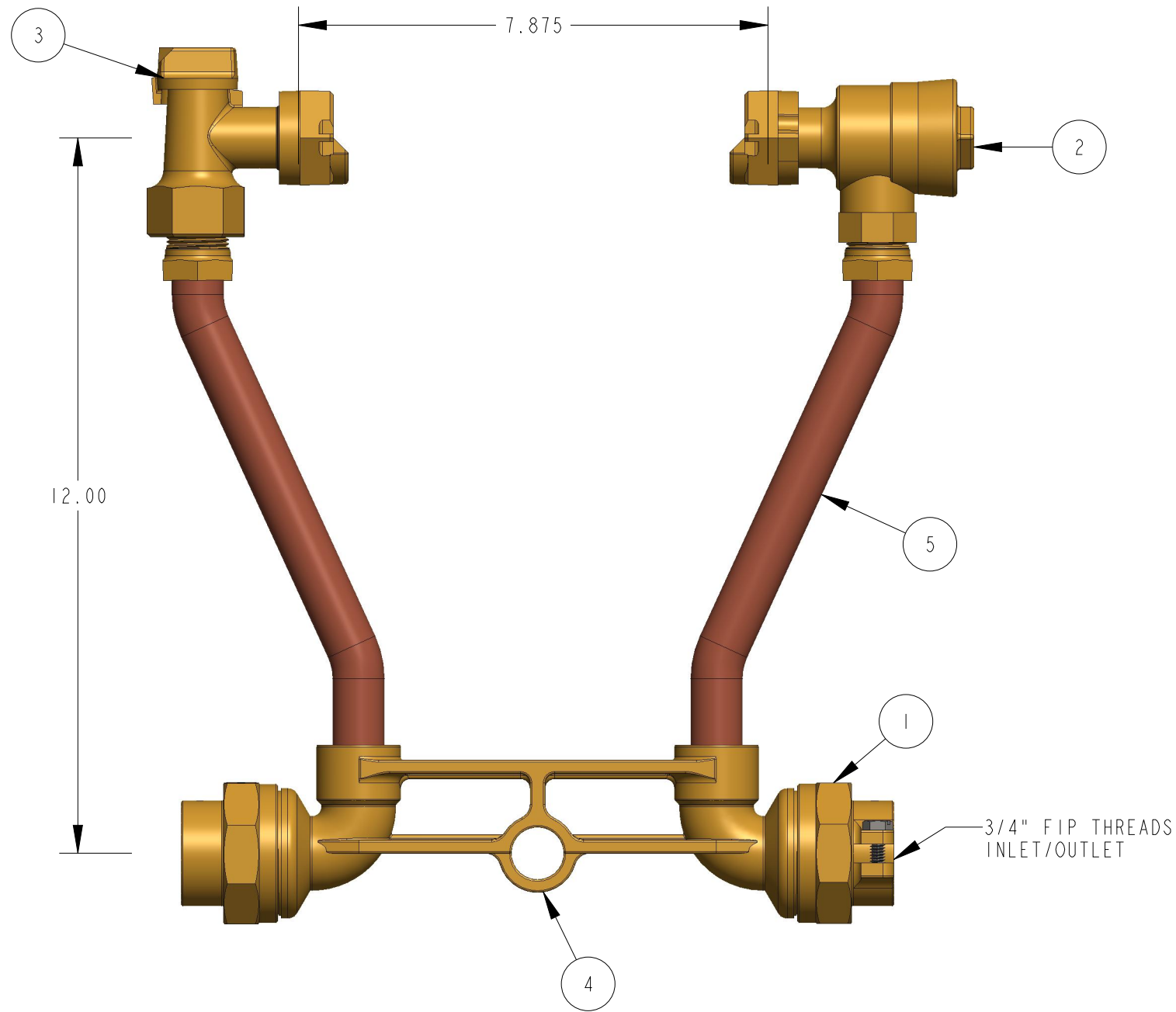


ITEM NO	PART NUMBER	QTY	DESCRIPTION
1	682553	2	1" PVC PACK JOINT
2	215HI4244AN	1	5/8" X 3/4" ASSE DUAL CHECK VALVE
3	215HI4265	1	3/4" ANGLE BALL VALVE
4	548897E	1	
5	551461E	2	RISER SUB ASSEMBLY



238P15521-2A--N

DR. BY	AOD	4/13/21	UNLESS OTHERWISE NOTED	THIRD ANGLE PROJECTION	C.B. NO.
CHKR			BREAK CAST CORNER(S)---		
ENGR			BREAK MACH CORNER(S)---	PURCH.	PATT. NO.
MGR			TOLERANCES	FINISH	
MFG			UNLESS OTHERWISE NOTED	REF. NO.	SCALE
TOOL			LINEAR		NONE
FDRY			±	ANGULAR	STK. NO.
MAT'L:					
<b>Mueller Co.</b>			DESCR. 5/8"X3/4" COPPER METER SETTER 12" RISER HEIGHT LOW LEAD BRASS	NUMBER 238P15521-2A--N	