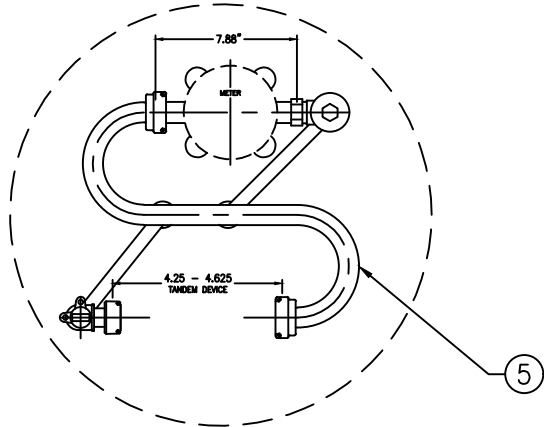
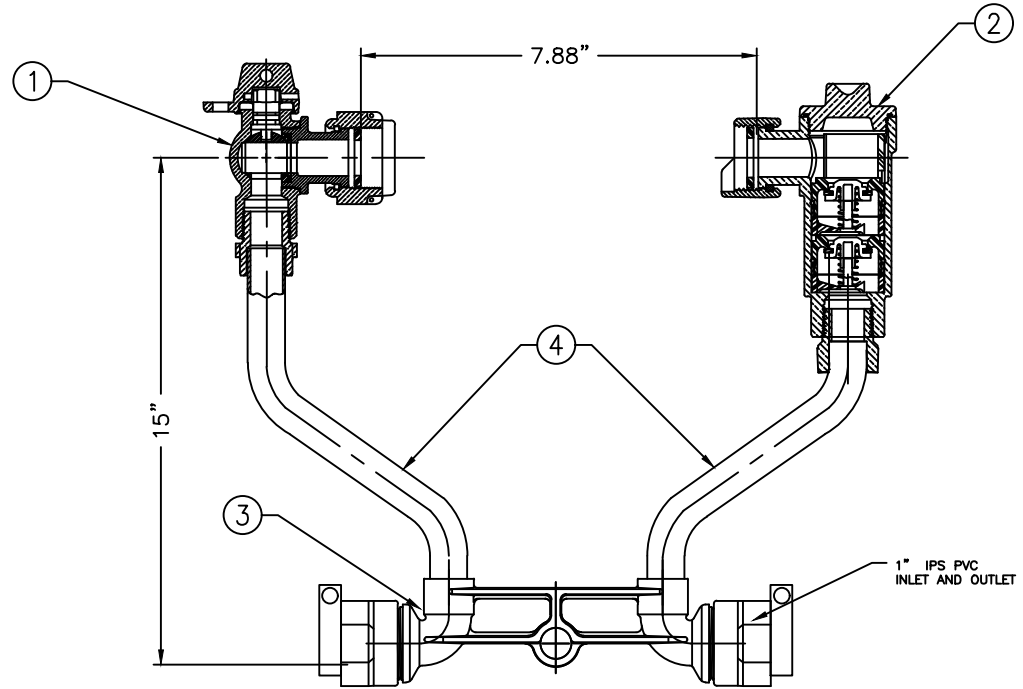


ITEM	DESCRIPTION	PART NO.	REQ'D
1	5/8"x3/4" LOCKWING REDUCED PORT BALL VALVE	B2426551RN	1
2	5/8"x3/4" ASSE VERT. CHECK VALVE	H14460AN	1
3	METER BAR		1
4	RISER SUB ASSEMBLY		2
5	SPACER TUBE ASSEMBLY		1

*NOTE: METER NOT INCLUDED



DETAIL OF TANDEM ASS'Y
TOP VIEW



FRONT VIEW

OPTION CODE: 03

- TANDEM SETTER WITH A PRV LAY LENGTH OF 4.25" - 4.625" (ADD SPUDS)

DRFT'R	BBF	11/20/20	THIRD ANGLE PROJECTION	REF. NO.	SCALE
CHK'R					NONE
E.O. NUMBER			DESCR.	STOCK No.	
			5/8" X 3/4" X 15" TANDEM COPPER SETTER 1" IPS PVC INLET & OUTLET LOW LEAD BRASS		
			REV.	NUMBER	
				239B25521R6A03N	
				SHEET 1 OF 1	

239B25521R6A03N

REV.	DESCRIPTION	REF.	DRFT'R	CHK'R	APP	DATE