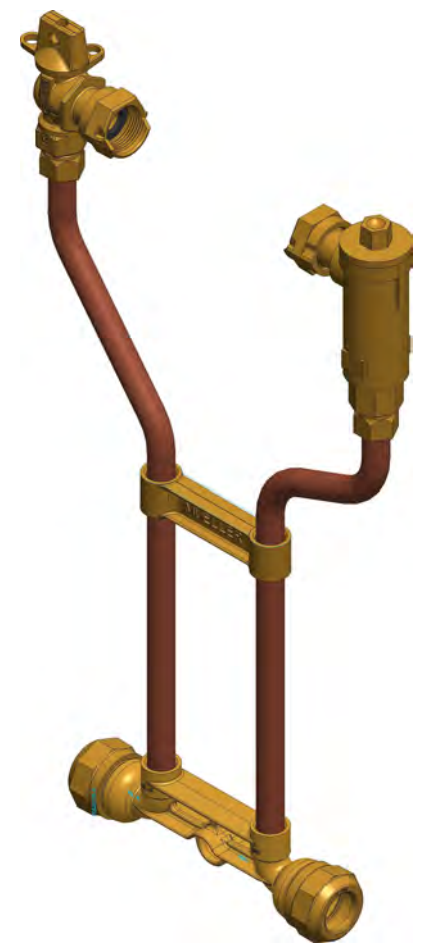
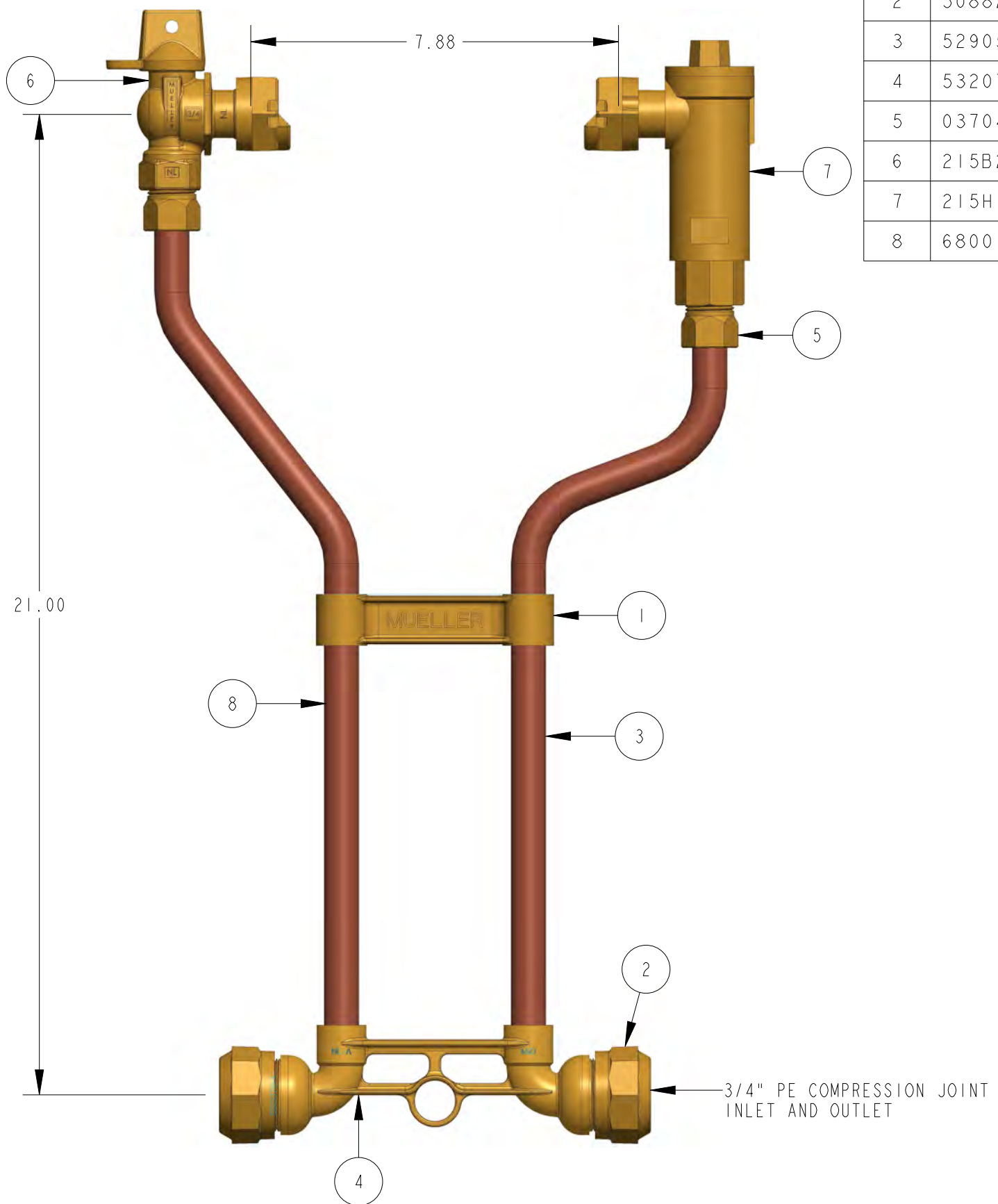


ITEM NO	PART NUMBER	QTY	DESCRIPTION
1	037022	1	TIE BAR
2	508826	2	3/4" PE CONNECTION NUT
3	529058	1	RISER
4	532078	1	5/8" & 5/8" X 3/4" 110 COMP METER BAR WITH BRACING EYE
5	037046E	1	7/8" SPUD
6	215B2426551RN	1	5/8" X 3/4" REDUCED PORT BALL VALVE
7	215H14460AN	1	5/8" X 3/4" VERTICAL ASSE APPROVED CHECK VALVE
8	680011E	1	RISER SUB ASSEMBLY



241E2542-R6A--N

DR. BY	AOD	4/08/22	UNLESS OTHERWISE NOTED		THIRD ANGLE PROJECTION		C.B. NO.
CHKR			BREAK CAST CORNER(S)---				
ENGR			BREAK MACH CORNER(S)---		PURCH.	FINISH	PATT. NO.
MGR			TOLERANCES		REF. NO.	SCALE	
MFG			UNLESS OTHERWISE NOTED		STK. NO.	NONE	
TOOL			LINEAR	ANGULAR			
FDRY			±	±			
MAT'L:							
MUELLER			DESCR. 5/8" X 3/4" COPPER METER SETTER 21" RISER HEIGHT LOW LEAD BRASS			NUMBER 241E2542-R6A--N	