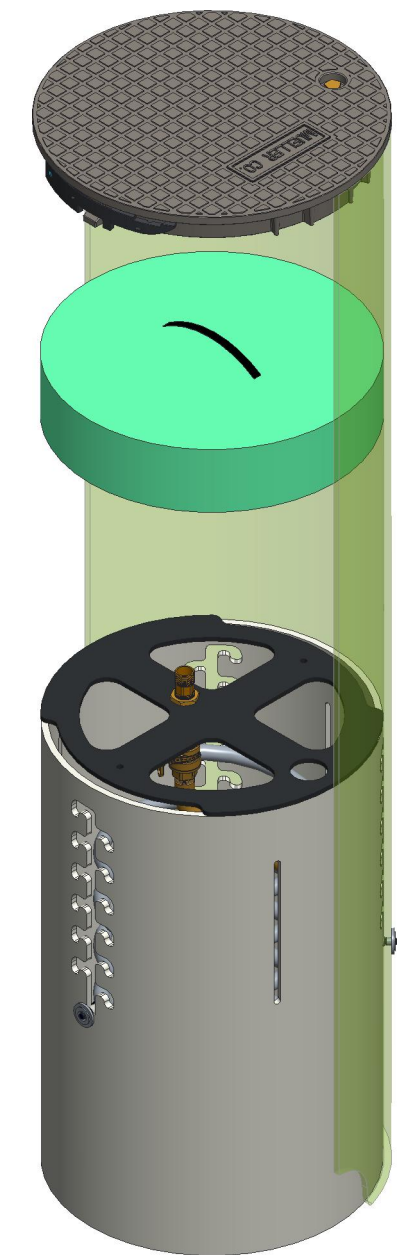
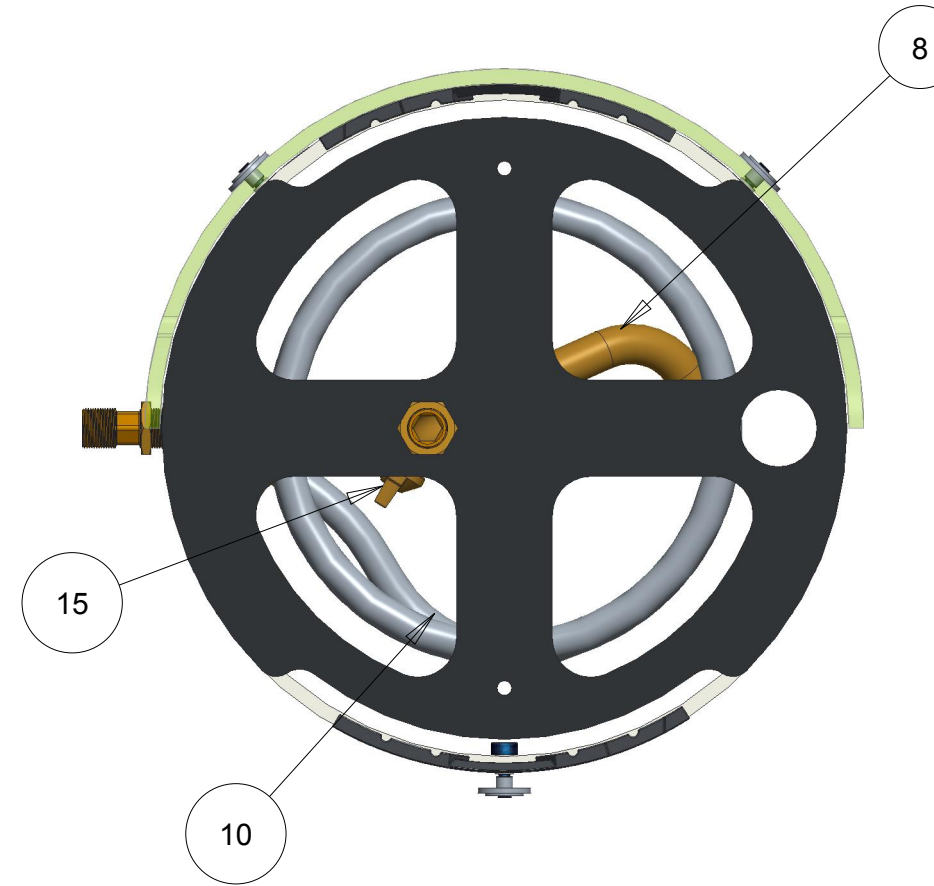


ITEM NO	PART NUMBER	QTY	DESCRIPTION
1	311955	1	18" DIA SIDE LOCKING COMPOSITE LID (SOLD SEPARATELY)
2	545215-1812AR	1	17" AR INSIDE CARTRIDGE - 12" RISER
3	545216	3	T-NUT
4	545217	3	STAINLESS STEEL WASHER
5	545529	3	1/2" SHOULDER BOLT
6	548357	2	15" & 18" UNIVERSAL BRACKET
7	548780	1	18" DIA STEEL ADJ. AIR RELEASE PLATFORM
8	548786	1	3/4" EXTENDED THREADED CONNECTOR
9	700013_REVE	1	3/4" HOSE CONNECTOR
10	700035-1578	1	3/4" COIL PART
11	700131	1	3/4" NIPPLE WITH WRENCH FLATS
12	790006	4	3/4" HEX NUT
13	790011-1866	1	18" ADJUSTABLE SHELL ASSEMBLY
14	790153	1	18" INSULATION PAD (SOLD SEPARATELY)
15	250B20200N	1	3/4" INLINE BALL VALVE



DR. BY	BBF	11/21/17	UNLESS OTHERWISE NOTED		THIRD ANGLE PROJECTION		C.B. NO.	
CHKR			BREAK CAST CORNER(S)---					
ENGR			BREAK MACH CORNER(S)---		PURCH.	FINISH	PATT. NO.	
MGR			TOLERANCES UNLESS OTHERWISE NOTED				REF. NO.	SCALE
MFG			LINEAR	ANGULAR	NONE			
TOOL			±	±	STK. NO.			
FDRY			MATL:					
							NUMBER 250AAR186678 BSN	
			DESCR. 3/4" ADJUSTABLE AIR RELEASE METER PIT 18" DIA X 66"-78" DEPTH LOW LEAD BRASS					