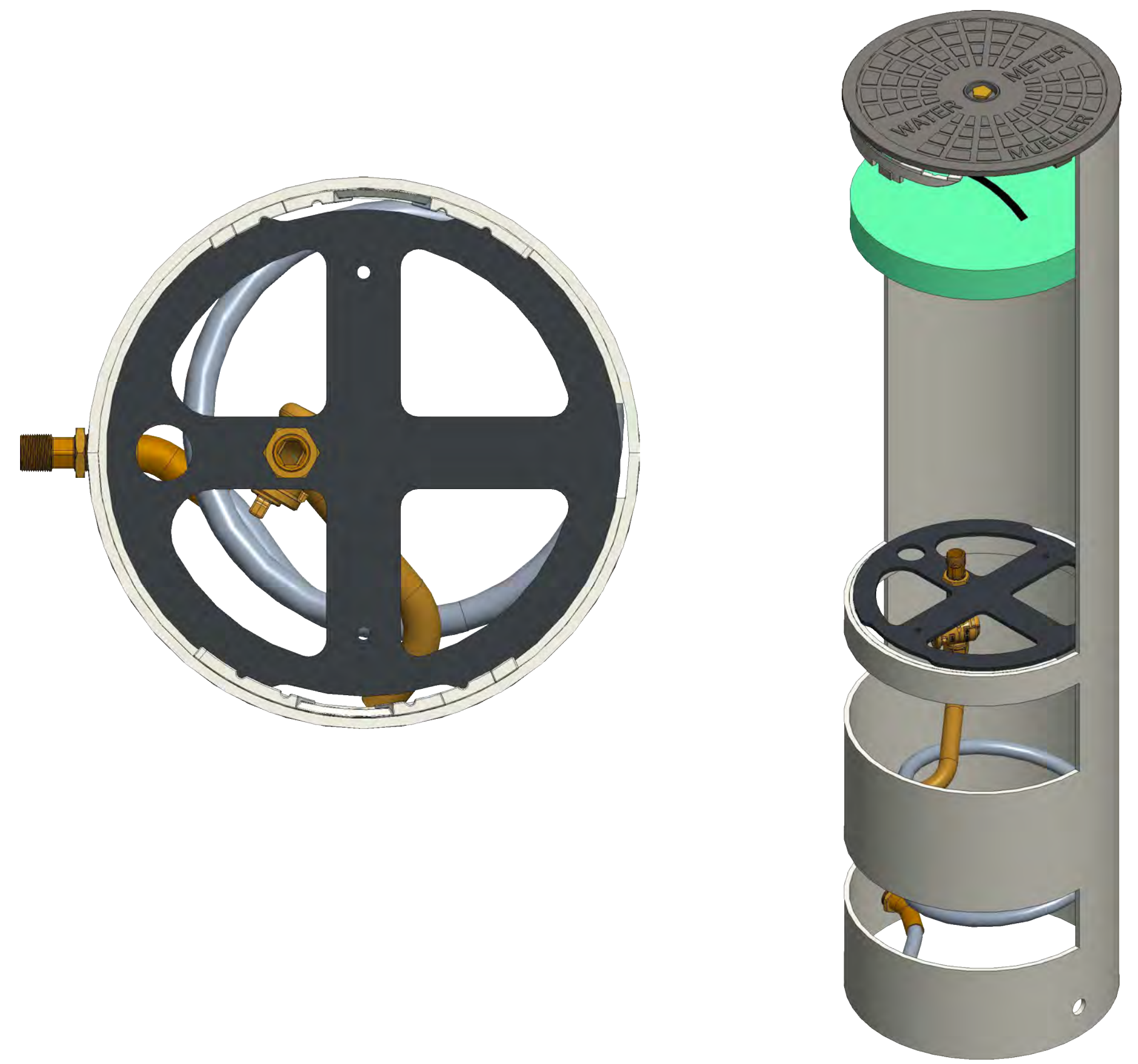


ITEM NO	PART NUMBER	QTY	DESCRIPTION
1	548786	1	DESCRIPTION
2	548994	1	18" DIA STEEL PLATFORM
3	700013_REVE	1	3/4" HOSE CONNECTOR
4	700035-1560	1	3/4" COIL PART
5	700131	1	3/4" NIPPLE WITH WRENCH FLATS
6	780003-1560	1	SHELL SUB ASSEMBLY
7	780068	1	15" CENTER LOCKING LID (OPTIONAL)
8	790006	4	3/4" HEX NUT
9	790162	1	15" X 2" INSULATION PAD (SOLD SEPARATELY)
10	250H10283N	1	3/4" MARK II ORISEAL VALVE LLB



DR. BY	AOD	11/18/22	UNLESS OTHERWISE NOTED	THIRD ANGLE PROJECTION	C.B. NO.
CHKR			BREAK CAST CORNER(S)---		
ENGR			BREAK MACH CORNER(S)---	PURCH.	FINISH
MGR			TOLERANCES	REF. NO.	SCALE
MFG			UNLESS OTHERWISE NOTED	STR. NO.	
TOOL			LINEAR	ANGULAR	
FDRY			±	±	
MAT'L:					
MUELLER			DESCR. 3/4" AIR RELEASE METER PIT 15" DIA X 36" DEPTH LOW LEAD BRASS		NUMBER 250AR1536--BLN