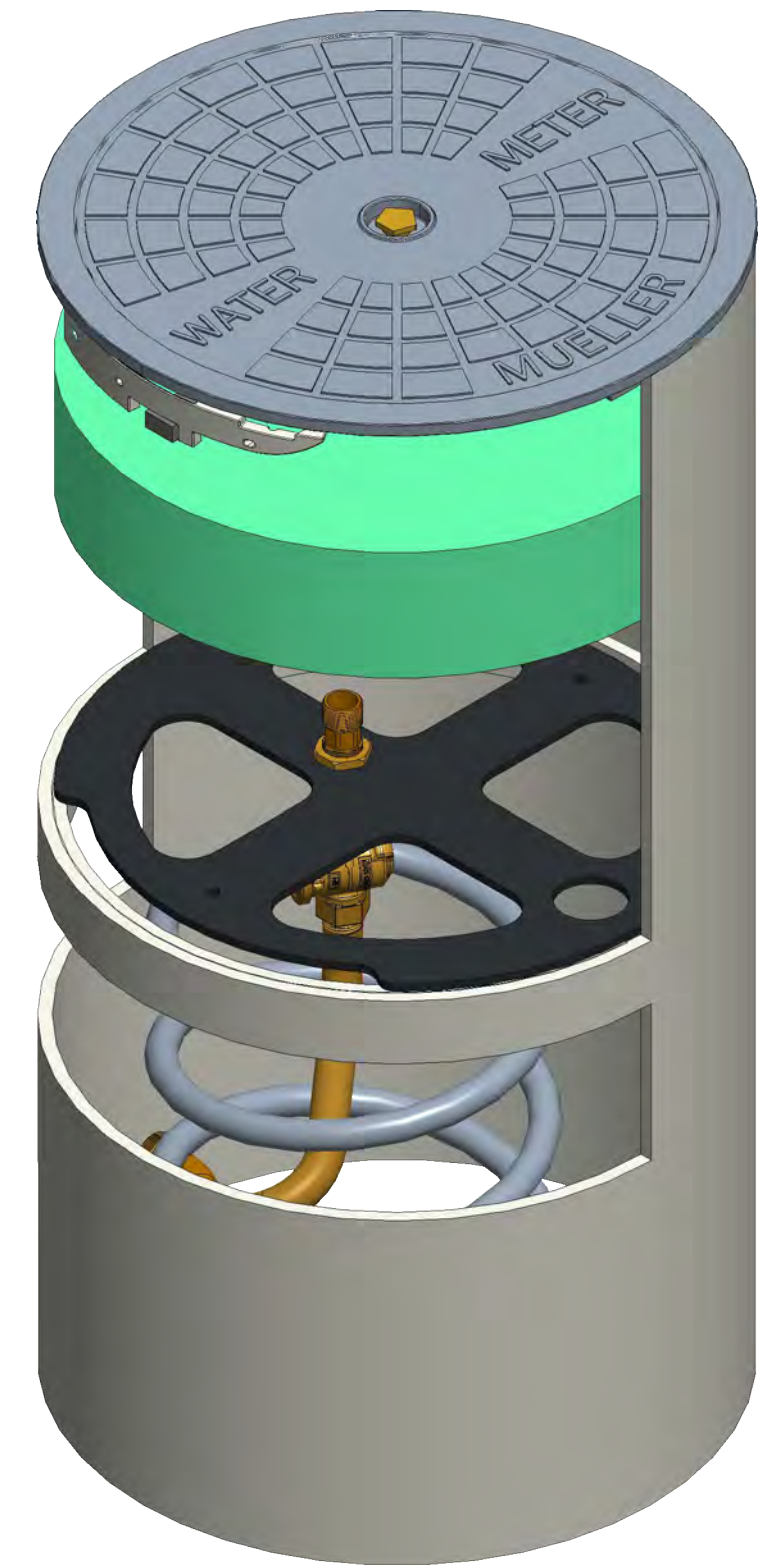
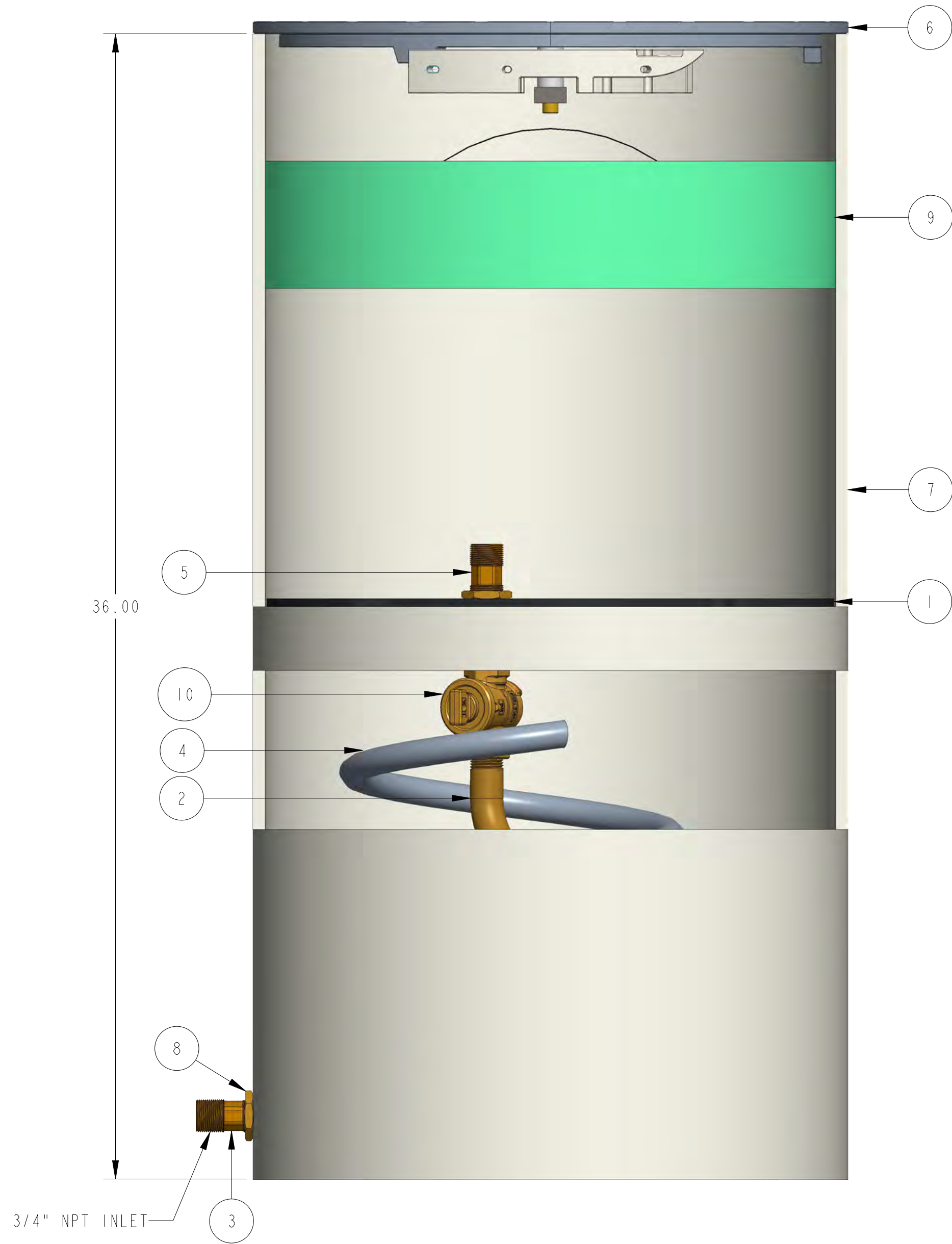


ITEM NO	PART NUMBER	QTY	DESCRIPTION
1	548780	1	18" DIA STEEL ADJ. AIR RELEASE PLATFORM
2	548786	1	3/4" EXTENDED THREADED CONNECTOR
3	700013_REVE	1	3/4" HOSE CONNECTOR
4	700035-1536	1	3/4" COIL PART
5	700131	1	3/4" NIPPLE WITH WRENCH FLATS
6	780069	1	18" DIA CENTER LOCKING LID (NOT INCLUDED)
7	780094-1836	1	SHELL SUB ASSEMBLY
8	790006	4	3/4" HEX NUT
9	790153	1	18" INSULATION PAD (SOLD SEPARATELY)
10	250HI0283N	1	3/4" MARK II ORISEAL VALVE LLB



DR. BY	AOD	11/18/22	UNLESS OTHERWISE NOTED	THIRD ANGLE PROJECTION	C.B. NO.
CHKR			BREAK CAST CORNER(S)---		
ENGR			BREAK MACH CORNER(S)---	PURCH.	FINISH
MGR			TOLERANCES	REF. NO.	SCALE
MFG			UNLESS OTHERWISE NOTED	STR. NO.	PATT. NO.
TOOL			LINEAR	ANGULAR	
FDRY			±	±	
MAT'L:					
MUELLER		DESCR. 3/4" AIR RELEASE METER PIT 18" DIA X 36" DEPTH LOW LEAD BRASS		NUMBER 250AR1836--BLN	