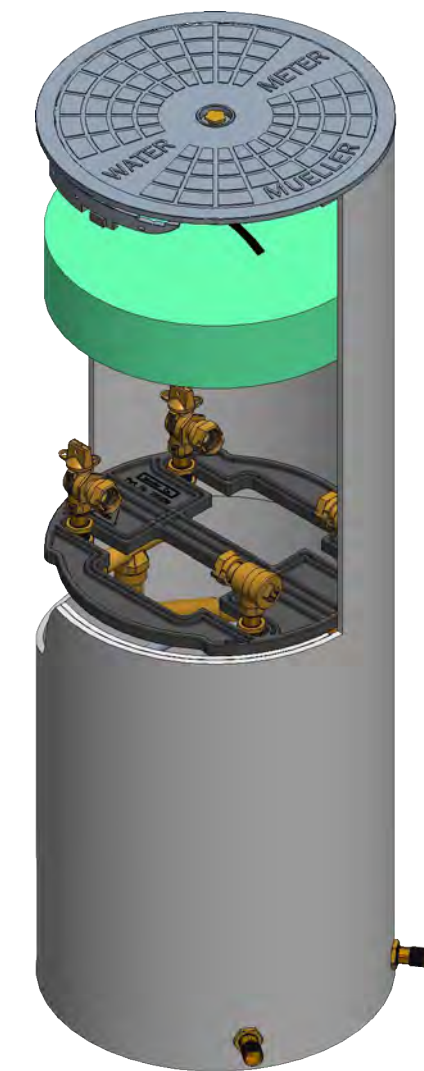
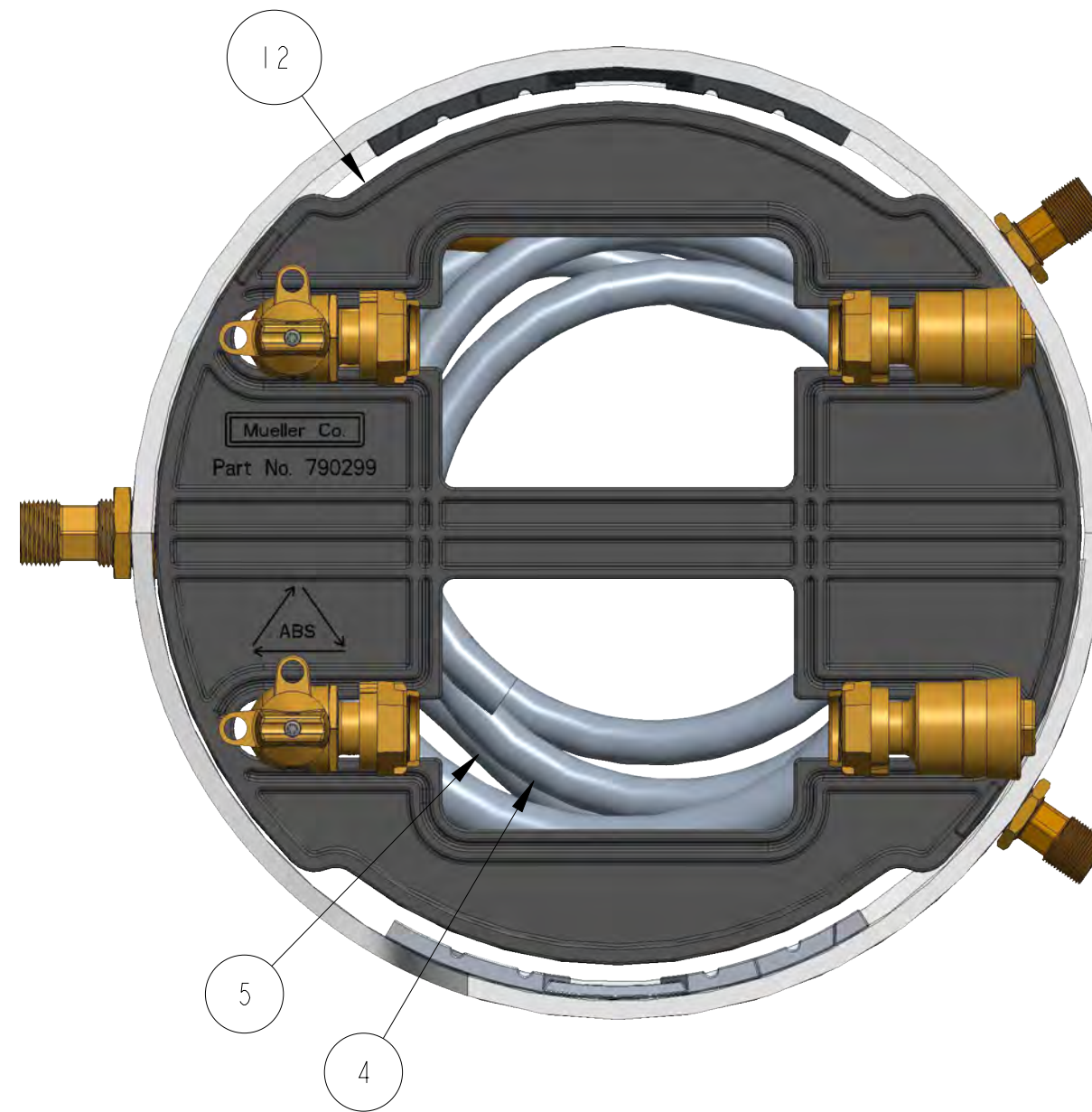
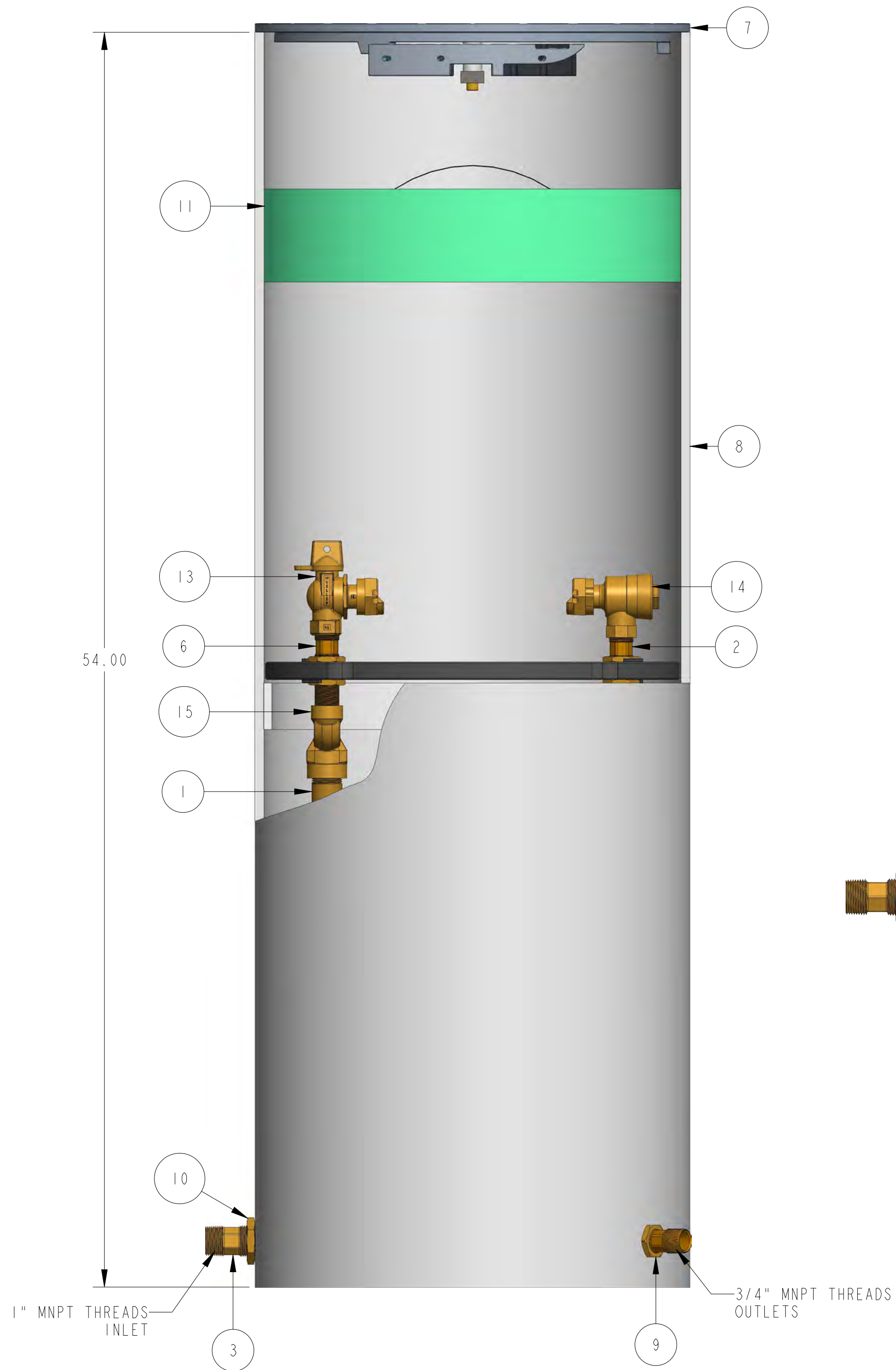


ITEM NO	PART NUMBER	QTY	DESCRIPTION
1	548451	1	1" EXTENDED THREADED CONNECTOR
2	700013_REVE	4	3/4" HOSE CONNECTOR
3	700014	1	1" HOSE CONNECTOR
4	700035-1554	2	3/4" COIL PART
5	700046-1854	1	1" COIL PART
6	700131	2	3/4" NIPPLE WITH WRENCH FLATS
7	780069	1	18" DIA CENTER LOCKING LID (NOT INCLUDED)
8	780076-1854	1	SHELL SUB ASSEMBLY
9	790006	12	3/4" HEX NUT
10	790010	2	1" HEX NUT
11	790153	1	18" INSULATION PAD (SOLD SEPARATELY)
12	790299_REVC	1	18" COMPOSITE PLATFORM
13	215B24265N	2	5/8" X 3/4" FULL PORT BALL VALVE
14	215HI4244AN	2	5/8" X 3/4" ASSE DUAL CHECK VALVE
15	402HI5367N	1	1IN X 3/4IN FIP THREAD U-BRANCH



DR. BY	AOD	8/03/22	UNLESS OTHERWISE NOTED	THIRD ANGLE PROJECTION	C.B. NO.
CHKR			BREAK CAST CORNER(S)---		
ENGR			BREAK MACH CORNER(S)---	PURCH.	PATT. NO.
MGR			TOLERANCES	FINISH	
MFG			UNLESS OTHERWISE NOTED	REF. NO.	SCALE
TOOL			LINEAR	ANGULAR	
FDRY			±	±	STR. NO.
MAT'L:					
MUELLER		DESCR. 3/4" COIL DOUBLE METER PIT 18" DIA X 54" DEPTH LOW LEAD BRASS		NUMBER 250CD1854FSBLN	