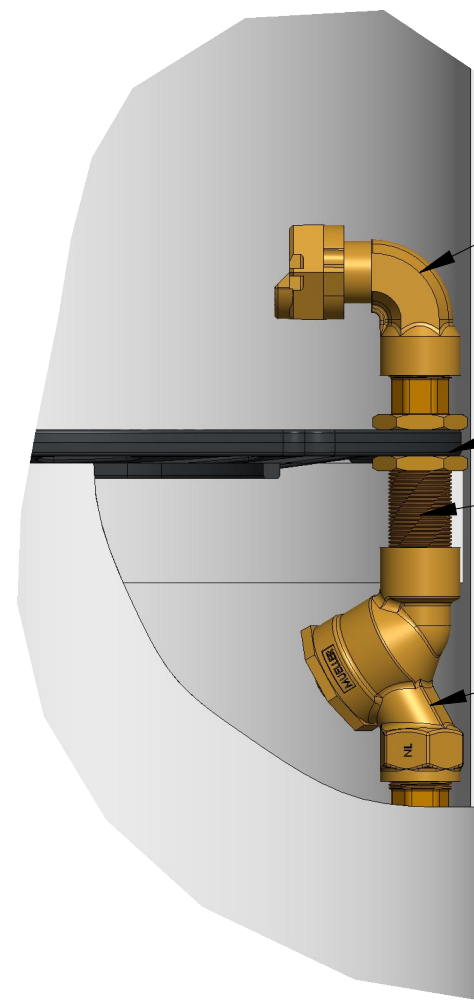
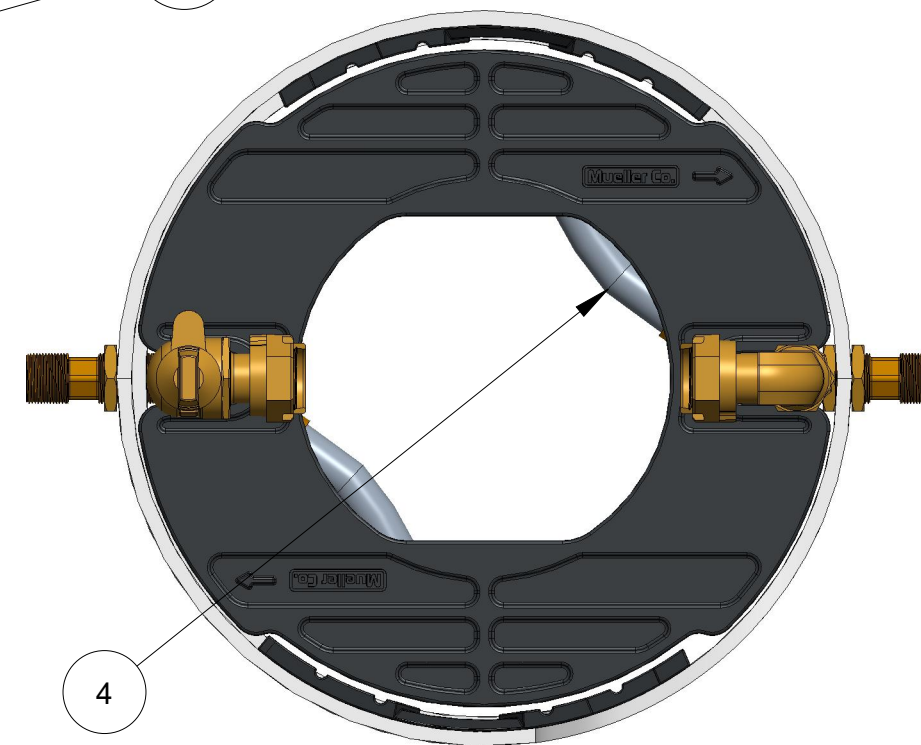


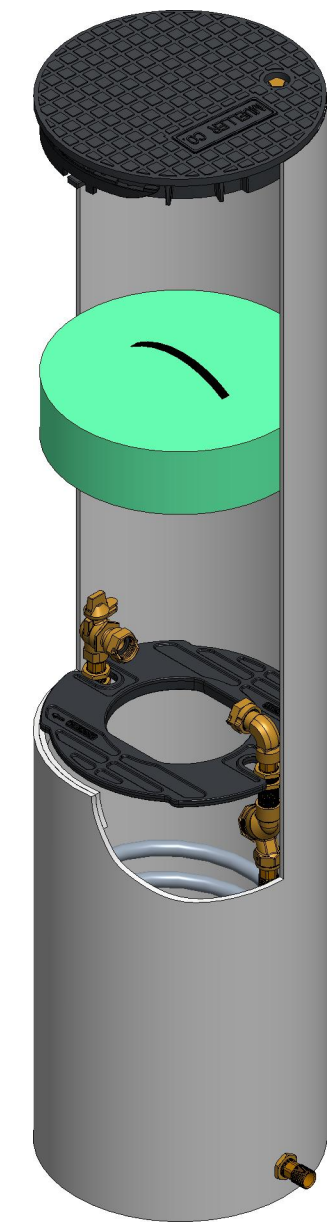
ITEM NO	PART NUMBER	QTY	DESCRIPTION
1	311954	1	15" COMPOSITE SIDE LOCKING LID (SOLD SEPARATELY)
2	311965	1	15-10 ABS PLATFORM
3	700013_REVE	4	3/4" HOSE CONNECTOR
4	700035-1566	2	3/4" COIL PART
5	700131	1	3/4" NIPPLE WITH WRENCH FLATS
6	780021-1566	1	SHELL SUB ASSEMBLY
7	790006	8	3/4" HEX NUT
8	790022	1	15" INSULATION PAD (SOLD SEPARATELY)
9	215B24265N	1	5/8" X 3/4" FULL PORT BALL VALVE
10	215H14210	1	5/8" X 3/4" METER COUPLING (SWIVEL NUT)
11	250H14243AN	1	3/4" INLINE CHECK VALVE



DETAIL A



4



3/4" NPT
INLET AND OUTLET

SEE DETAIL A

OPTION CODE: 000741
*ASSE CHECK VALVE INSTALLED UNDERNEATH
PLATFORM ON OUTLET

DR. BY: BBF	10/12/20	UNLESS OTHERWISE NOTED		THIRD ANGLE PROJECTION		C.B. NO.
CHKR:		BREAK CAST CORNER(S)---		PATTERN		PATT. NO.
ENGR:		BREAK MACH CORNER(S)---		REF. NO.	SCALE	
MGR:		TOLERANCES UNLESS OTHERWISE NOTED		STK. NO.		
MFG:		LINEAR	ANGULAR			
TOOL:		±	±			
FDRY:		MATERIAL:				
Mueller Co.		DESCR.	3/4" COIL SINGLE METER PIT 15" DIA X 66 DEPTH LOW LEAD BRASS		NUMBER	250CS1566FABS000741N