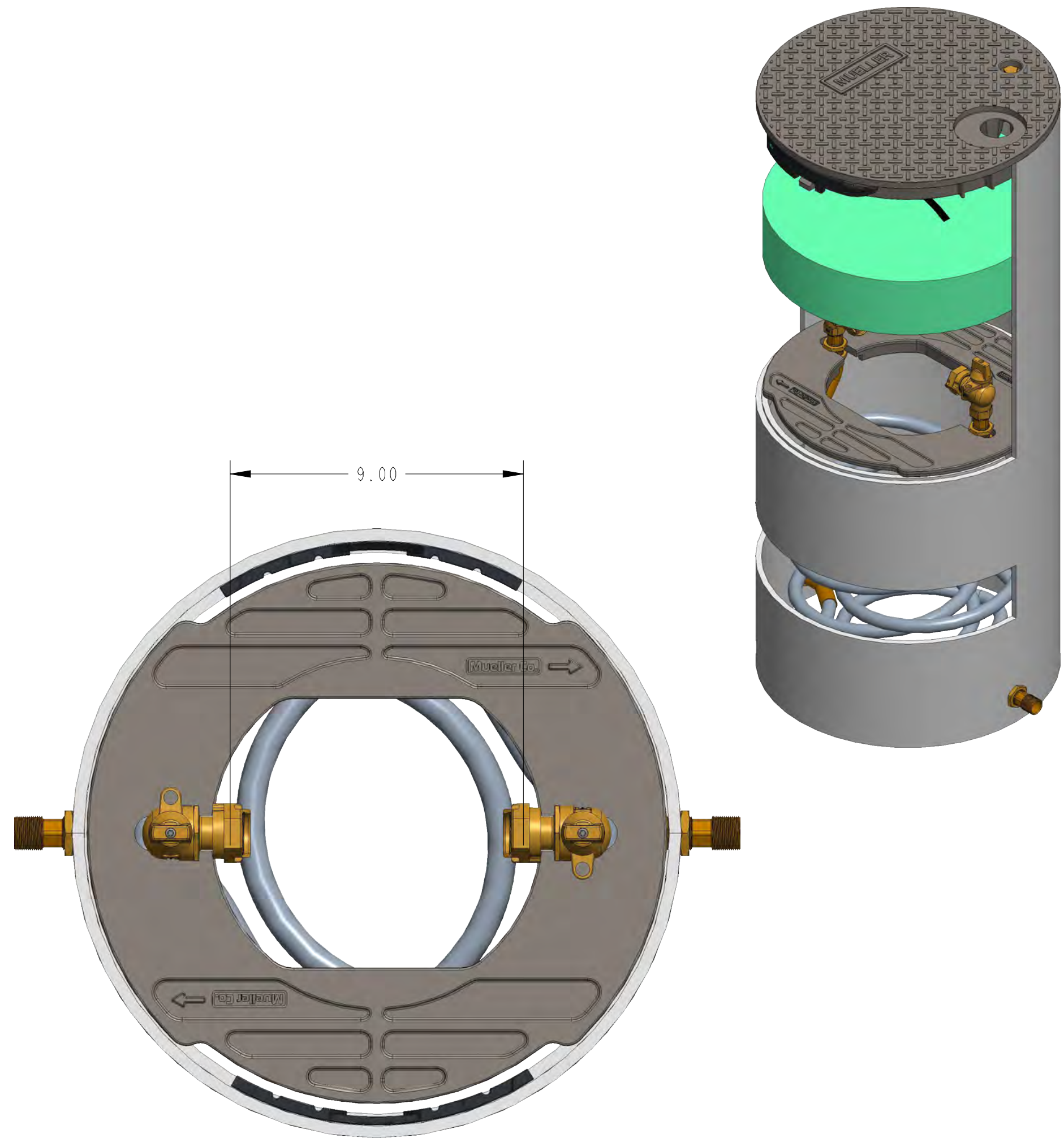


ITEM NO	PART NUMBER	QTY	DESCRIPTION
1	311955-RTR	1	18" DIA SIDE LOCKING COMPOSITE LID (SOLD SEPARATELY)
2	311981	1	ABS PLATFORM 18-40
3	700013_REVE	4	3/4" HOSE CONNECTOR
4	700035-1542	2	COIL PART
5	780021-1842	1	SHELL SUB ASSEMBLY
6	790006	8	3/4" HEX NUT
7	790153	1	18" INSULATION PAD (SOLD SEPARATELY)
8	215B2426505N	2	5/8" X 3/4" OR 3/4" FULL PORT BALL VALVE WITHOUT LOCKWING



3/4" NPT THREADS INLET AND OUTLET

DR. BY	AOD	11/03/22	UNLESS OTHERWISE NOTED	THIRD ANGLE PROJECTION		C.B. NO.
CHKR			BREAK CAST CORNER(S)---			
ENGR			BREAK MACH CORNER(S)---	PURCH.	FINISH	PATT. NO.
MGR			TOLERANCES	REF. NO.	SCALE	
MFG			UNLESS OTHERWISE NOTED	STR. NO.		
TOOL			LINEAR	ANGULAR		
FDRY			±	±		
MAT'L:						
<b>MUELLER</b>			DESCR. 3/4" COIL SINGLE METER PIT 18" DIA X 42" DEPTH LOW LEAD BRASS		NUMBER 250CS1842CCBSN	