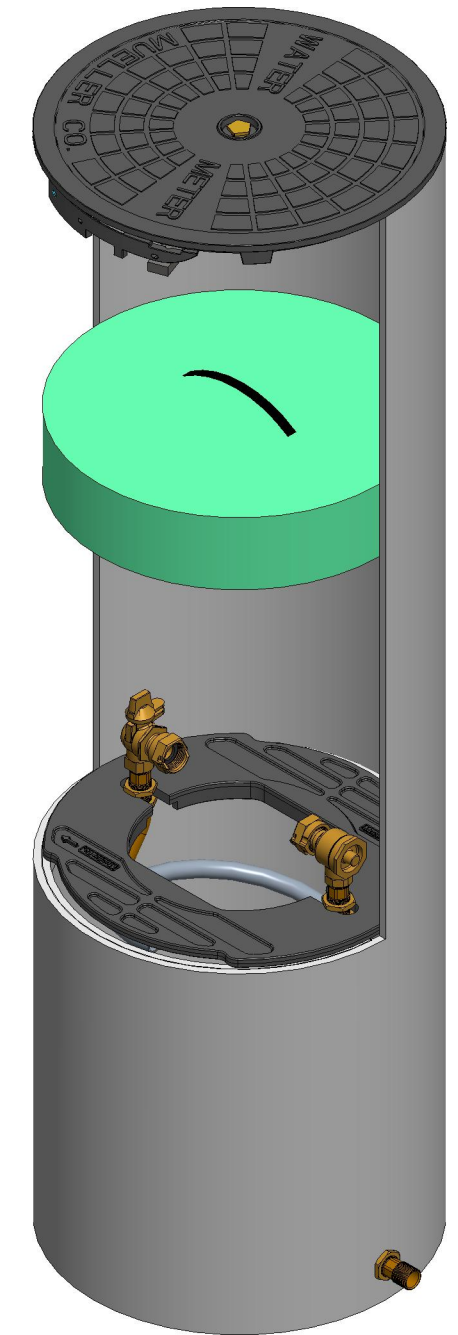
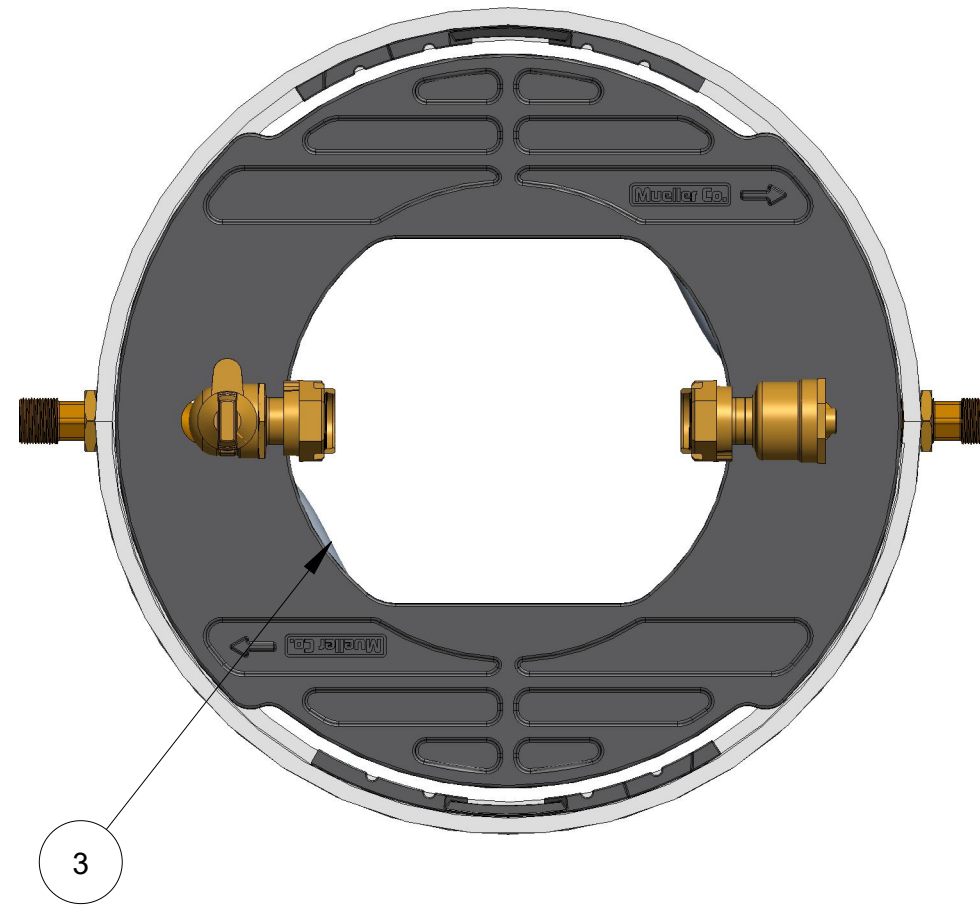
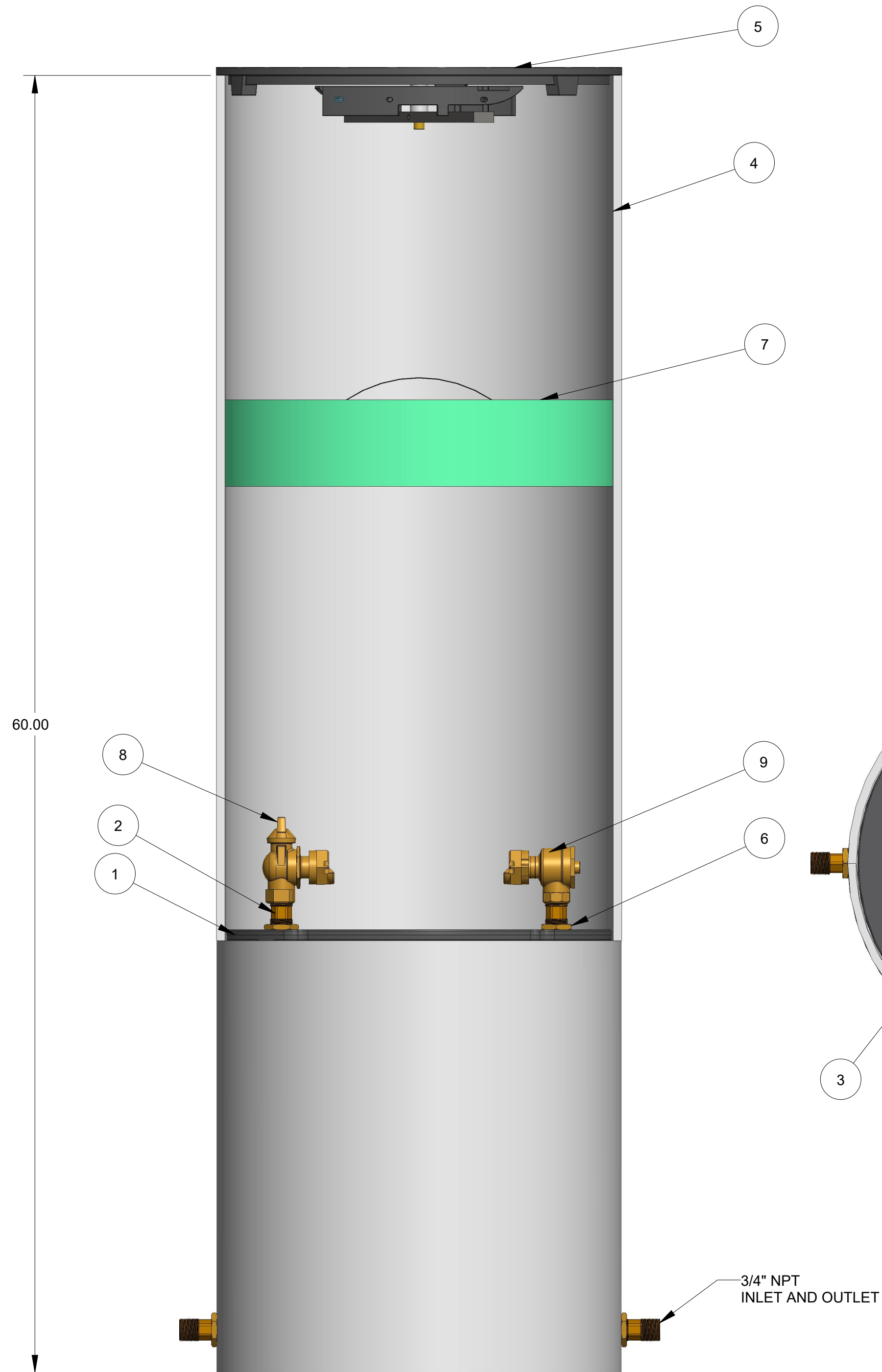


250CS1860FBBLN

ITEM NO	PART NUMBER	QTY	DESCRIPTION
1	311981	1	ABS PLATFORM 18-40
2	700013_REVE	4	3/4" HOSE CONNECTOR
3	700035-1560	2	3/4" COIL PART
4	780021-1860	1	SHELL SUB ASSEMBLY
5	780069	1	18" DIA CENTER LOCKING LID (NOT INCLUDED)
6	790006	8	3/4" HEX NUT
7	790153	1	18" INSULATION PAD (SOLD SEPARATELY)
8	215B24265N	1	5/8" X 3/4" FULL PORT BALL VALVE
9	215H14244	1	5/8" X3/4" DUAL CHECK VALVE



DR. BY	BBF	6/1/20	UNLESS OTHERWISE NOTED		THIRD ANGLE PROJECTION		C.B. NO.
CHKR			BREAK CAST CORNER(S)---				
ENGR			BREAK MACH CORNER(S)---		PURCH.	FINISH	PATT. NO.
MGR			TOLERANCES UNLESS OTHERWISE NOTED		REF. NO.	SCALE	
MFG			LINEAR	ANGULAR		NTS	
TOOL			±	±	STK. NO.		
FDRY			MATERIAL:				
			DESCR. 3/4" COIL SINGLE METER PIT 18" DIA X 60" DEPTH LOW LEAD BRASS				NUMBER
							250CS1860FBBLN