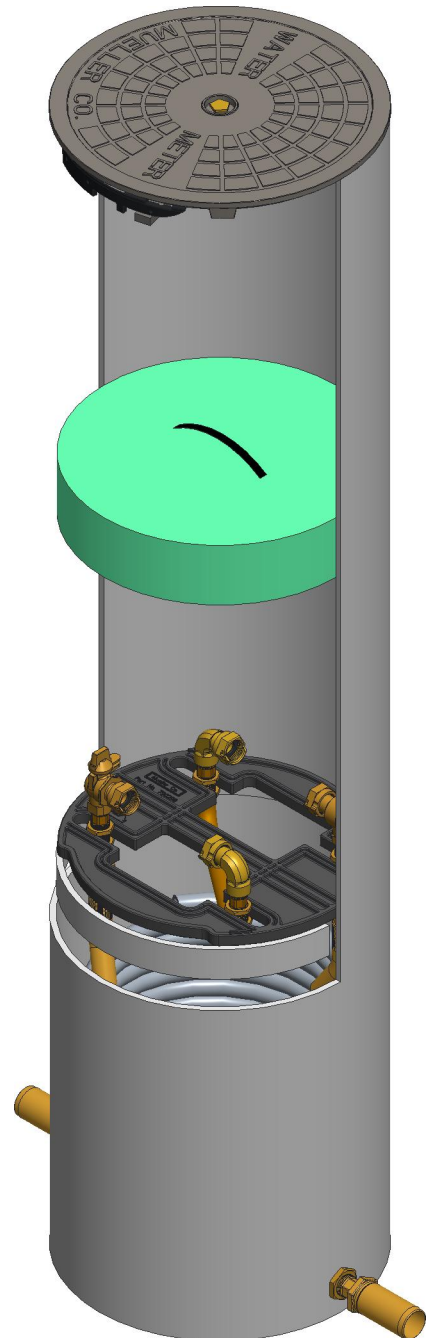
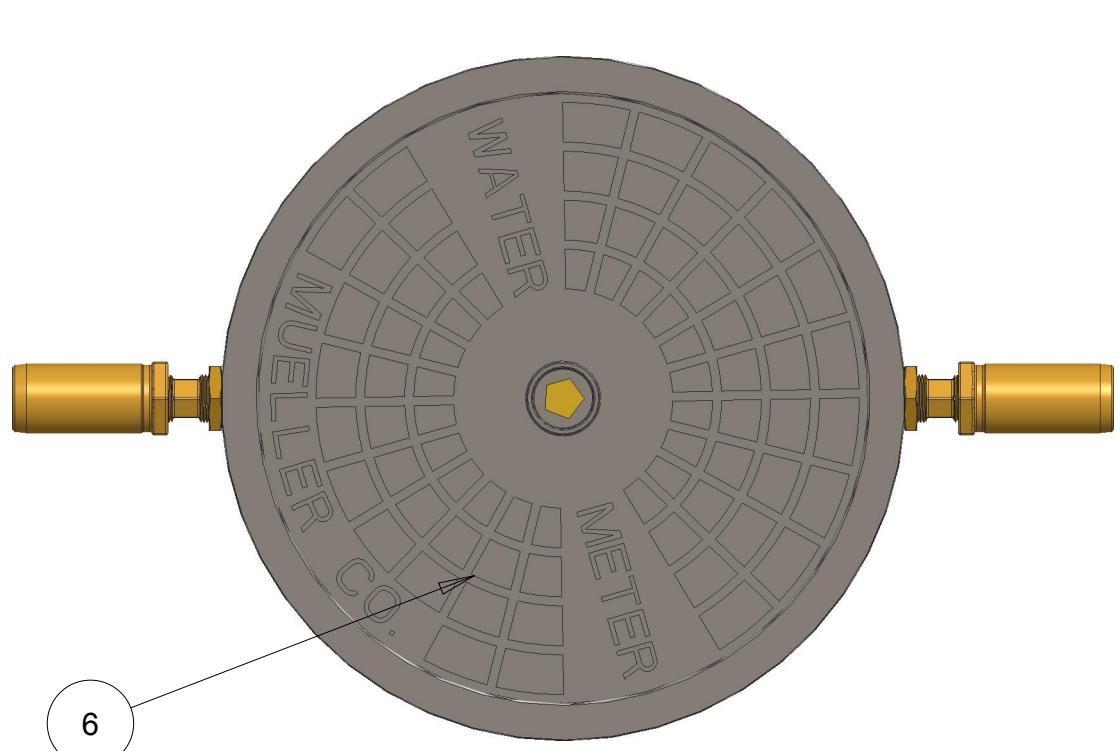


ITEM NO	PART NUMBER	QTY	DESCRIPTION
1	700014	4	1" HOSE CONNECTOR
2	700066	2	1" - 11.5 N.P.T. ADAPTER
3	700131	2	3/4" NIPPLE WITH WRENCH FLATS
4	700158	1	3/4" U-BAR
5	780023-1876	1	SHELL SUB ASSEMBLY
6	780034-1876	2	1" COIL PART
7	780069	1	18" DIA CENTER LOCKING LID (NOT INCLUDED)
8	790006	8	3/4" HEX NUT
9	790010	4	1" HEX NUT
10	790153	1	18" INSULATION PAD (NOT INCLUDED)
11	790299_REVC	1	18" COMPOSITE PLATFORM
12	215B24265N	1	5/8" X 3/4" FULL PORT BALL VALVE
13	215H14210	2	5/8" X 3/4" METER COUPLING (SWIVEL NUT)
14	215H14244AN	1	5/8" X 3/4" ASSE DUAL CHECK VALVE
15	790059E	2	1" X 3/4" BELL REDUCER



OPTION CODE: 000664  
 \*1" COIL  
 \*FOR WATTS 5M3-Z6  
 \*700066 INSTALLED ON INLET & OUTLET

DR. BY	BBF	8/25/17	UNLESS OTHERWISE NOTED		THIRD ANGLE PROJECTION		C.B. NO.
CHKR			BREAK CAST CORNER(S)---				
ENGR			BREAK MACH CORNER(S)---		PURCH.	FINISH	PATT. NO.
MGR			TOLERANCES UNLESS OTHERWISE NOTED		REF. NO.	SCALE	
MFG			LINEAR	ANGULAR	STK. NO.		
TOOL			±	±			
FDRY			MATL:				
					DESCR. 3/4" COIL TANDEM METER PIT 18" DIA X 76" DEPTH LOW LEAD BRASS		NUMBER 25OCT1876FSBL000664N