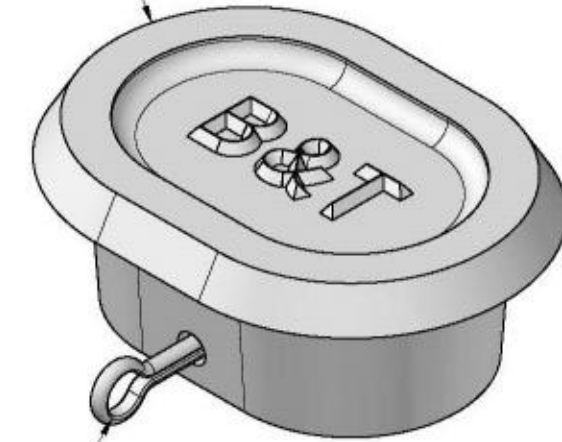
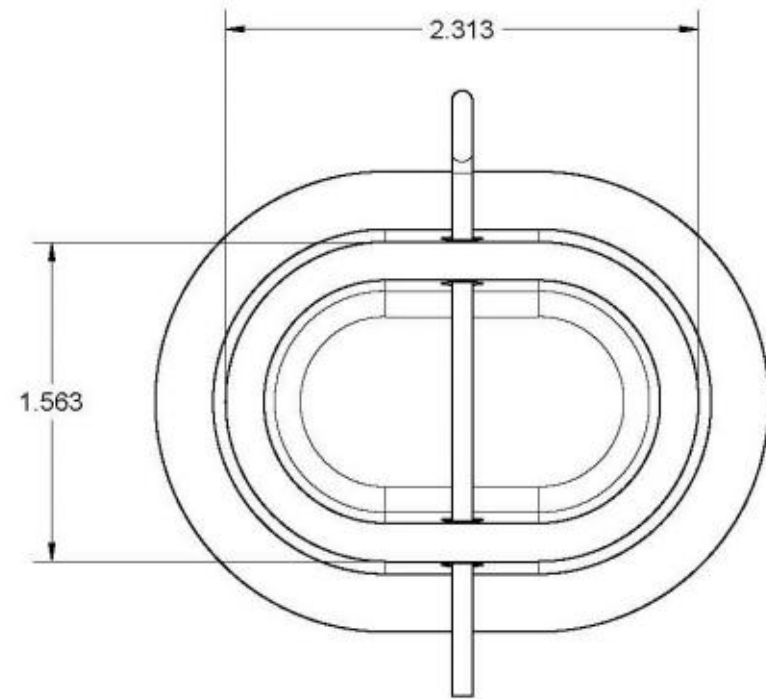


CULFPLUG
PLUG/OVAL FOR METER LIDS



PINCOTTER
COTTER PINS
BRASS 3/16 X 2



DR. BY	JBK	7/11/22	UNLESS OTHERWISE NOTED	THIRD ANGLE PROJECTION	C.B. NO.
CHKR			BREAK CAST CORNER(S)--- .0625		
ENGR			BREAK MACH CORNER(S)---	PURCH.	FINISH
MGR			TOLERANCES	REF. NO.	PATT. NO.
MFG			UNLESS OTHERWISE NOTED	SCALE	
TOOL			LINEAR	NONE	
FDRY			± .0625	STK. NO.	
MAT'L: ASTM A48 CLASS 30 IRON					
MUELLER			DESCR. CAST IRON TOUCH READ PLUG FOR OBLONG HOLE W/ COTTER KEY	NUMBER	311952