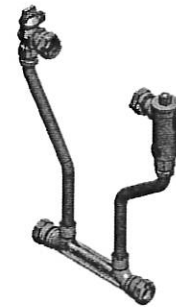
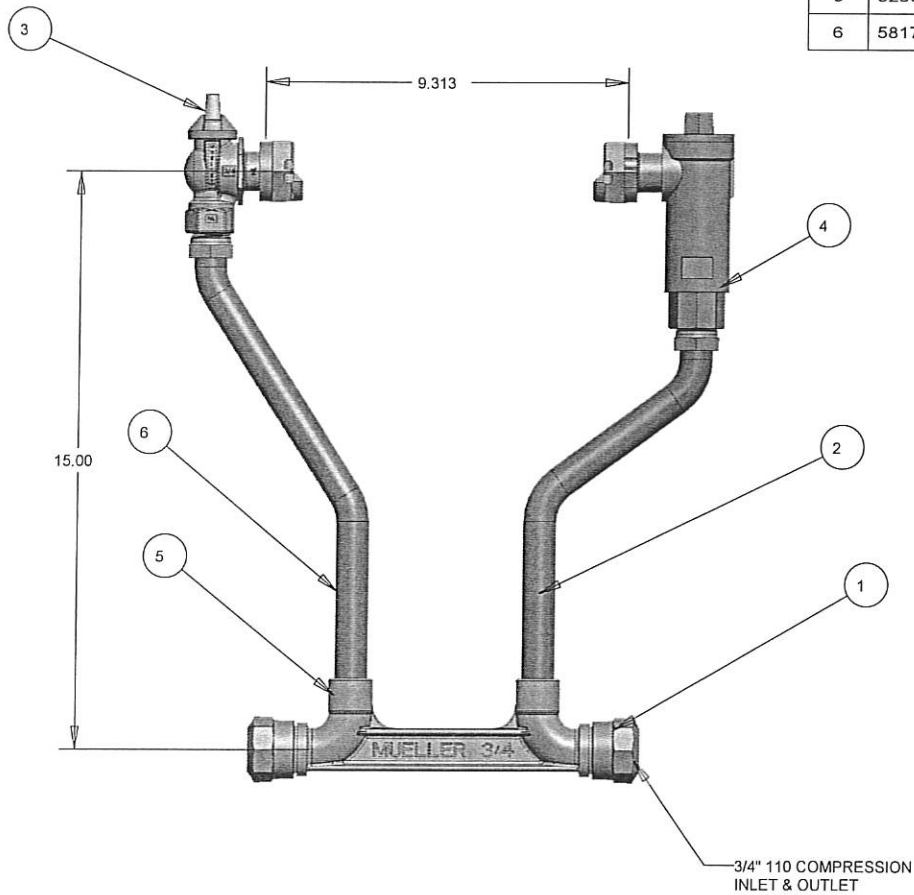


| ITEM NO | PART NUMBER | QTY | DESCRIPTION |
|---------|--------------|-----|--|
| 1 | 507831 | 2 | 3/4" 110 COMPRESSION FITTING |
| 2 | 682108 | 1 | RISER SUB ASSEMBLY |
| 3 | 215B2426551N | 1 | 5/8" X 3/4" FULL PORT BALL VALVE |
| 4 | 215H14460AN | 1 | 5/8" X 3/4" ASSE APPROVED VERTICAL CHECK VALVE |
| 5 | 528038E | 1 | 3/4" METER BAR *LLB* |
| 6 | 581792E | 1 | 15" RISER SUB ASSEMBLY |



| | | | | | | |
|-----------|-----|---------|---|---------|-------------------------|----------|
| DR. BY | BBF | 2/14/17 | UNLESS OTHERWISE NOTED | | THIRD ANGLE PROJECTION | C.B. NO. |
| CHKR | | | BREAK CAST CORNER(S)--- | | | |
| ENGR | | | BREAK MACH CORNER(S)--- | | | |
| MGR | | | TOLERANCES | | PURCH. | FINISH |
| MFG | | | UNLESS OTHERWISE NOTED | | REF. NO. | SCALE |
| TOOL | | | LINEAR | ANGULAR | NONE | |
| FDRY | | | ± | ± | STK. NO. | |
| MATERIAL: | | | | | | |
| | | | DESCR. 3/4" COPPER METER SETTER 15" RISER HEIGHT LOW LEAD BRASS | | NUMBER 312B2470-6A-N | |

312B2470-6A-N