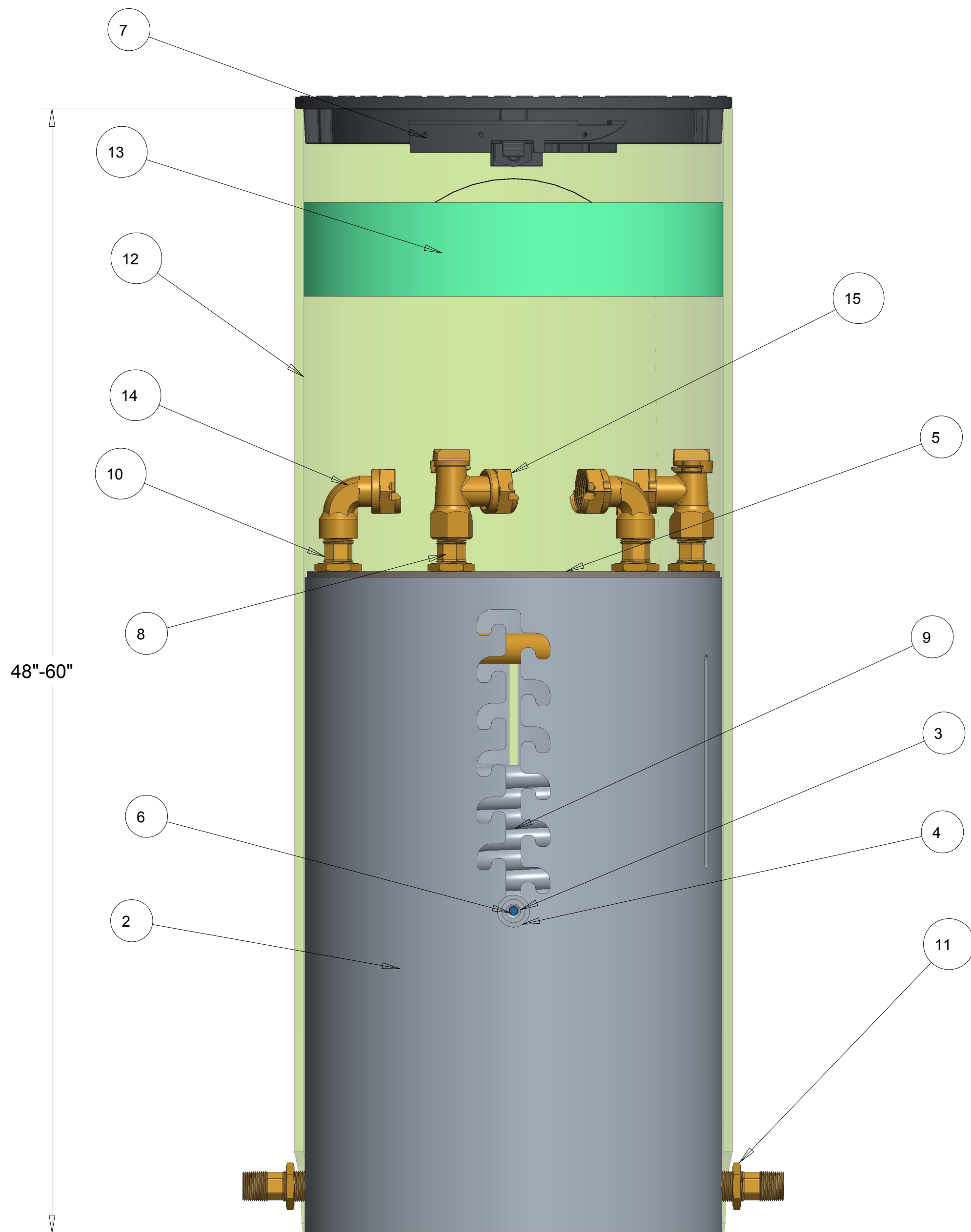
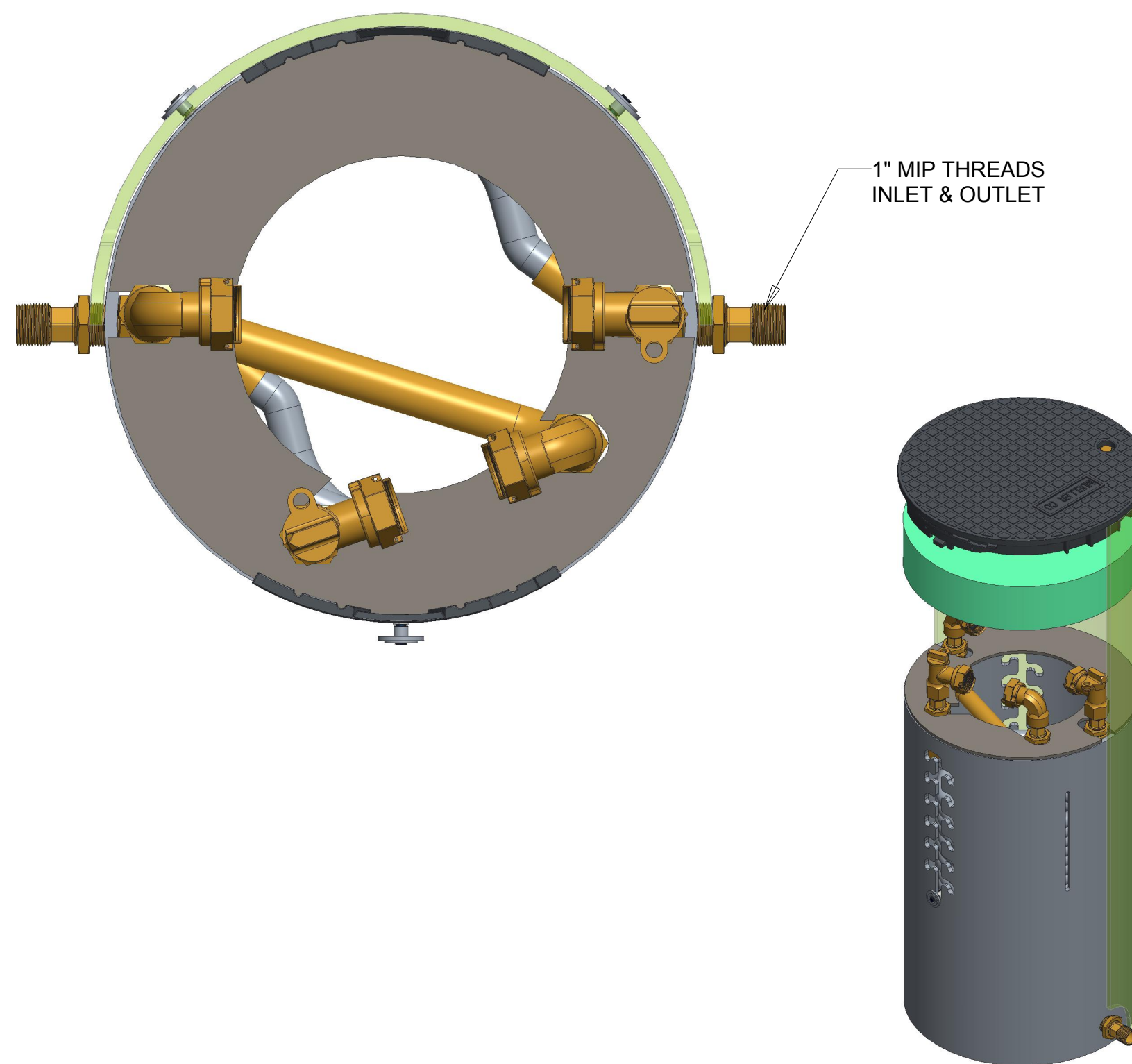


TOWNSHIP OF MONTVILLE METER PIT SPECIFICATION



ITEM NO	PART NUMBER	QTY	DESCRIPTION
1	311955	1	18" DIA SIDE LOCKING COMPOSITE LID (OPTIONAL)
2	545215-1812	1	17" INSIDE CARTRIDGE - 12" RISE
3	545216	3	T-NUT
4	545217	3	WASHER
5	545369-S	1	18-60 STEEL PLATFORM
6	545529	3	1/2" SHOULDER BOLT
7	548357	2	15" & 18" UNIVERSAL BRACKET
8	700014	4	1" HOSE CONNECTOR
9	700046-1860	2	COIL PART
10	700148	1	1" U BAR
11	790010	12	1" HEX NUT
12	790011-1848	1	18" ADJUSTA-SHELL ASSEMBLY 48"-60"
13	790153	1	18" INSULATION PAD (OPTIONAL)
14	330H14210	2	1" METER COUPLING (SADDLE NUT)
15	330H14265	2	1" ANGLE METER STOP VALVE



DR. BY	BBF	4/26/17	UNLESS OTHERWISE NOTED		THIRD ANGLE PROJECTION		C.B. NO.	
CHKR			BREAK CAST CORNER(S)---					
ENGR			BREAK MACH CORNER(S)---		PURCH.	FINISH	PATT. NO.	
MGR			TOLERANCES UNLESS OTHERWISE NOTED				REF. NO.	SCALE
MFG			LINEAR	ANGULAR	STK. NO.			
TOOL			±	±				
FDRY			MATERIAL:					
		DESCR.	1" ADJUSTABLE TANDEM METER PIT 18" DIA X 48" - 60" LOW LEAD BRASS		NUMBER 330AT184860LLBSN			