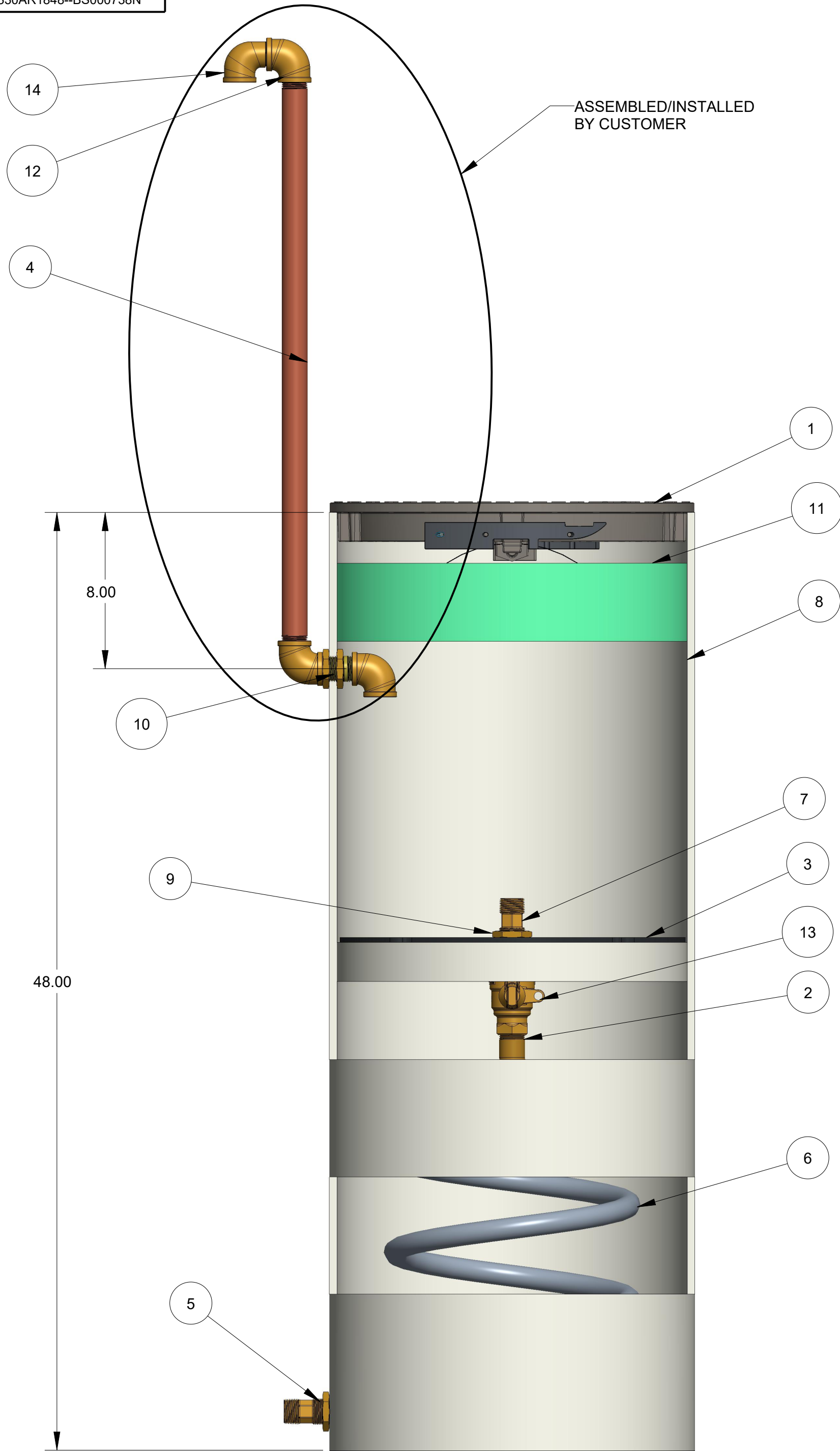
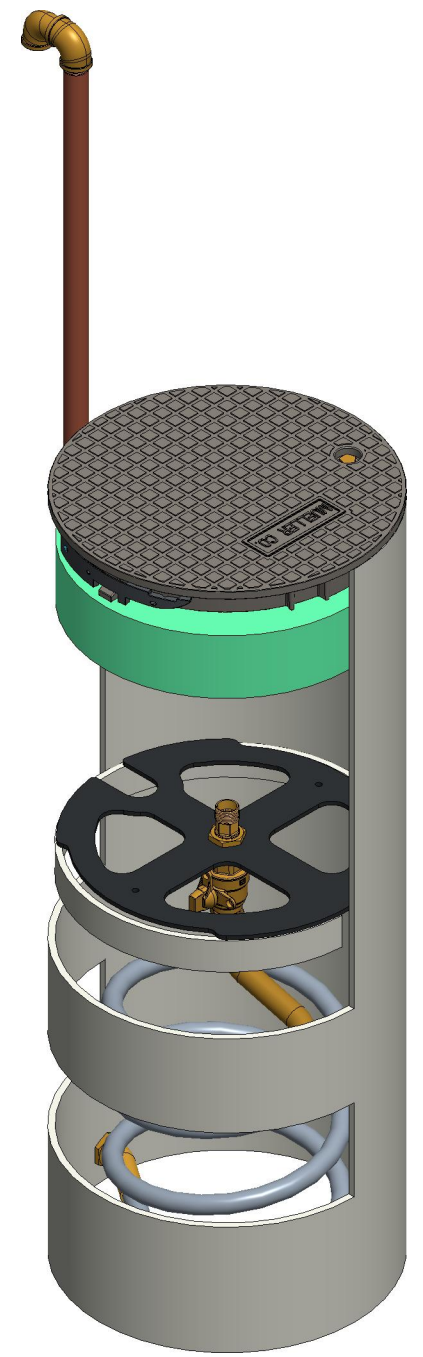
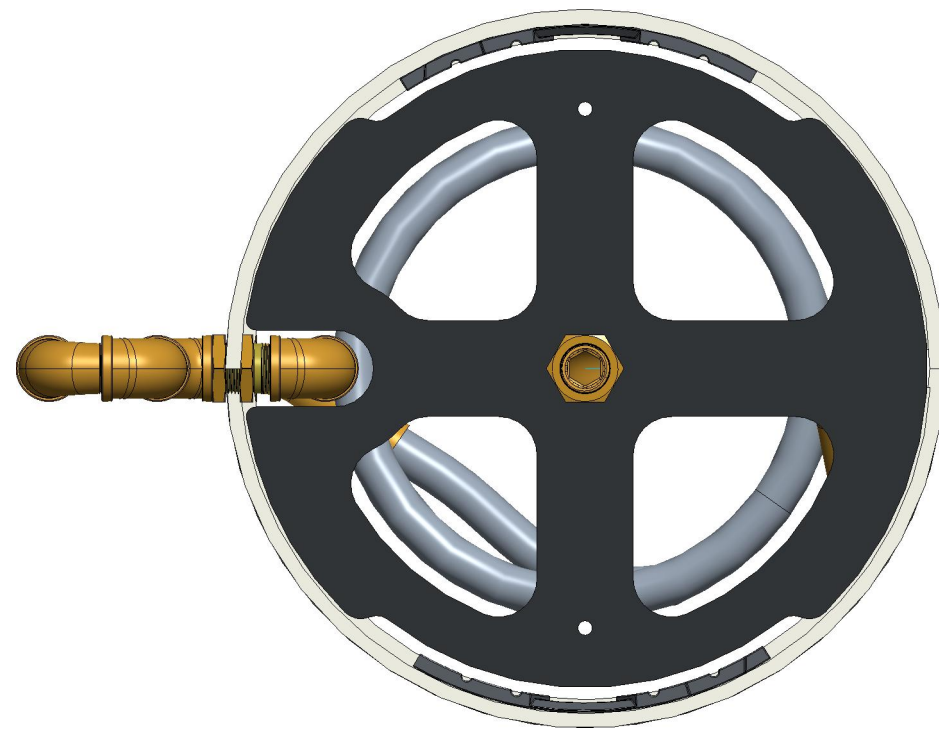


330AR1848-BS000738N



ASSEMBLED/INSTALLED BY CUSTOMER

ITEM NO	PART NUMBER	QTY	DESCRIPTION
1	311955	1	18" DIA SIDE LOCKING COMPOSITE LID (SOLD SEPARATELY)
2	548451	1	1" EXTENDED THREADED CONNECTOR
3	551087	1	18" DIA STEEL PLATFORM
4	551088	1	THREADED PIPE 1" X 30"
5	700014	1	1" HOSE CONNECTOR
6	700046-1848	1	1" COIL PART
7	700581	1	1" NIPPLE WITH FLATS
8	780094-1848	1	SHELL SUB ASSEMBLY
9	790010	6	1" HEX NUT
10	790036	1	1" NIPPLE
11	790153	1	18" INSULATION PAD (SOLD SEPARATELY)
12	094987E	3	1" FNPT ELBOW
13	330B20200N	1	1" INLINE BALL VALVE
14	790052E	1	1" STREET ELBOW



OPTION CODE: 000738
 * BALL VALVE INSTEAD OF ORISEAL
 * SHIPS WITH BRASS FITTINGS FOR A VENT

DR. BY	BBF	9/1/20	UNLESS OTHERWISE NOTED		THIRD ANGLE PROJECTION		C.B. NO.
CHKR			BREAK CAST CORNER(S)---				
ENGR			BREAK MACH CORNER(S)---		PURCH.	FINISH	PATT. NO.
MGR			TOLERANCES UNLESS OTHERWISE NOTED		REF. NO.	SCALE	
MFG			LINEAR	ANGULAR	STK. NO.		
TOOL			±	±			
FDRY			MATL:				
			Mueller Co.		DESCR.	1" AIR RELEASE METER PIT 18" DIA X 48" DEPTH LOW LEAD BRASS	
					NUMBER	330AR1848-BS000738N	