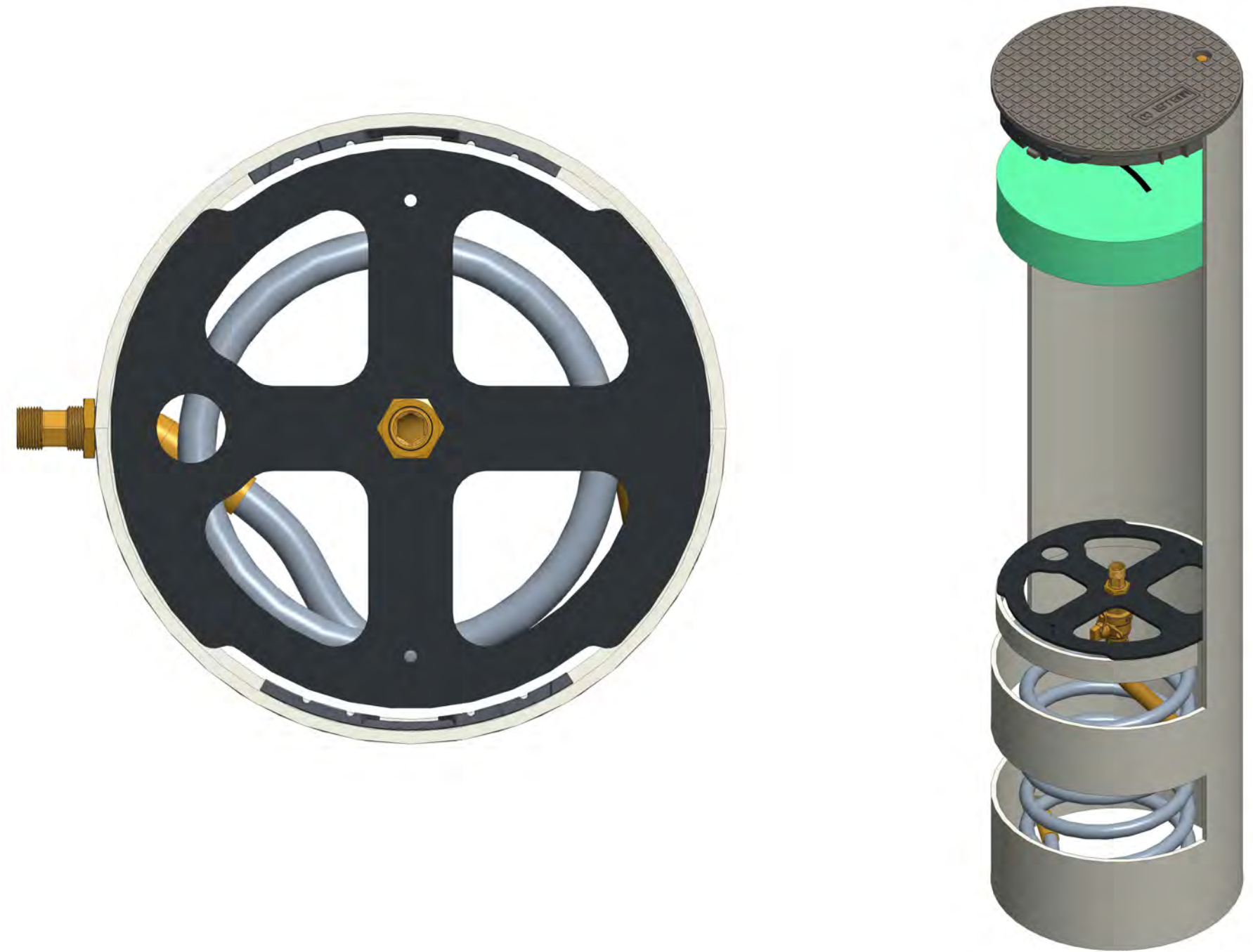
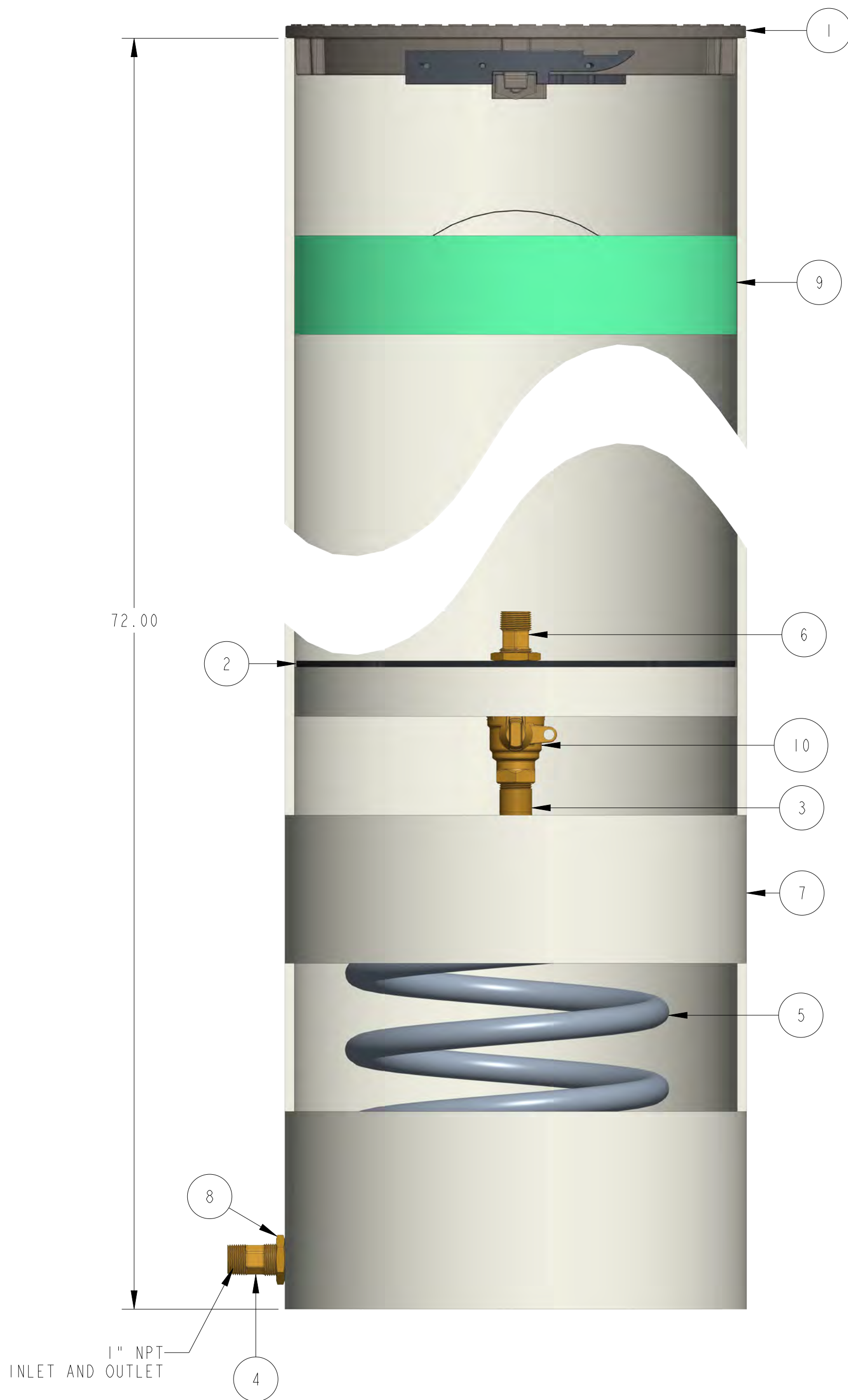


ITEM NO	PART NUMBER	QTY	DESCRIPTION
1	311955	1	18" DIA SIDE LOCKING COMPOSITE LID (SOLD SEPARATELY)
2	547588	1	18" DIA STEEL PLATFORM
3	548451	1	1" EXTENDED THREADED CONNECTOR
4	700014	1	1" HOSE CONNECTOR
5	700046-1872	1	COIL PART WITH LL BRASS CONNECTORS
6	700581	1	1" X 3-3/4" NIPPLE WITH FLATS
7	780094-1872	1	SHELL SUB ASSEMBLY
8	790010	4	1" HEX NUT
9	790153	1	18" INSULATION PAD (SOLD SEPARATELY)
10	330B20200N	1	1" INLINE BALL VALVE



OPTION CODE 88:  
 \*BALL VALVE INSTEAD OF ORISEAL VALVE

DR. BY	AOD	2/07/22	UNLESS OTHERWISE NOTED	THIRD ANGLE PROJECTION	C.B. NO.
CHKR			BREAK CAST CORNER(S)---		
ENGR			BREAK MACH CORNER(S)---	PURCH.	FINISH
MGR			TOLERANCES	REF. NO.	SCALE
MFG			UNLESS OTHERWISE NOTED	STR. NO.	
TOOL			LINEAR	ANGULAR	
FDRY			±	±	
MAT'L:					
<b>MUELLER</b>			DESCR. 1" AIR RELEASE METER PIT 18" DIA X 72" DEPTH LOW LEAD BRASS		NUMBER 330AR1872--BS000088N