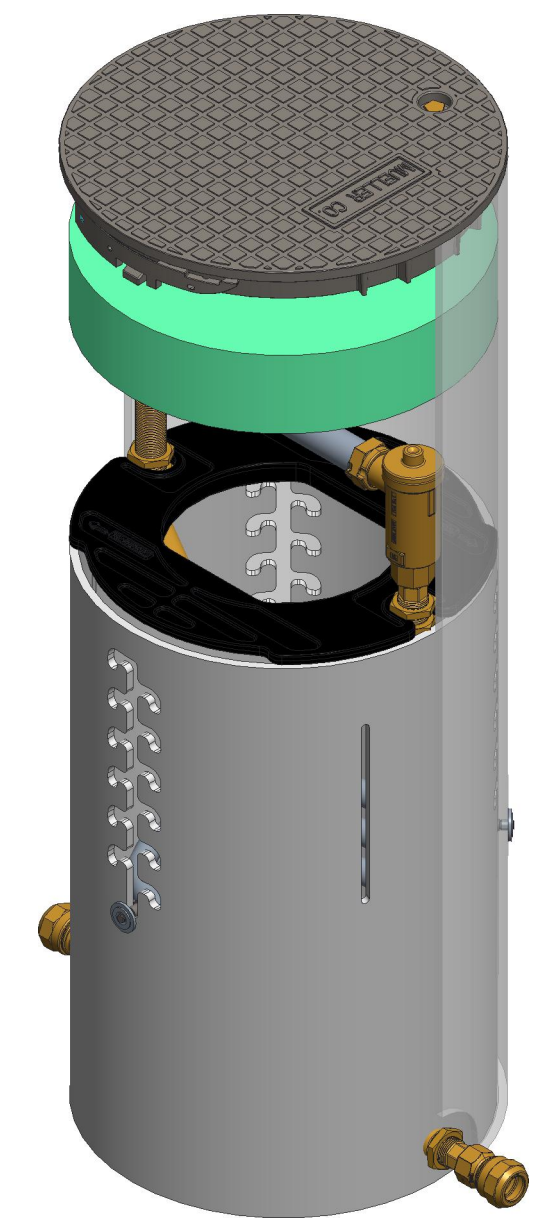
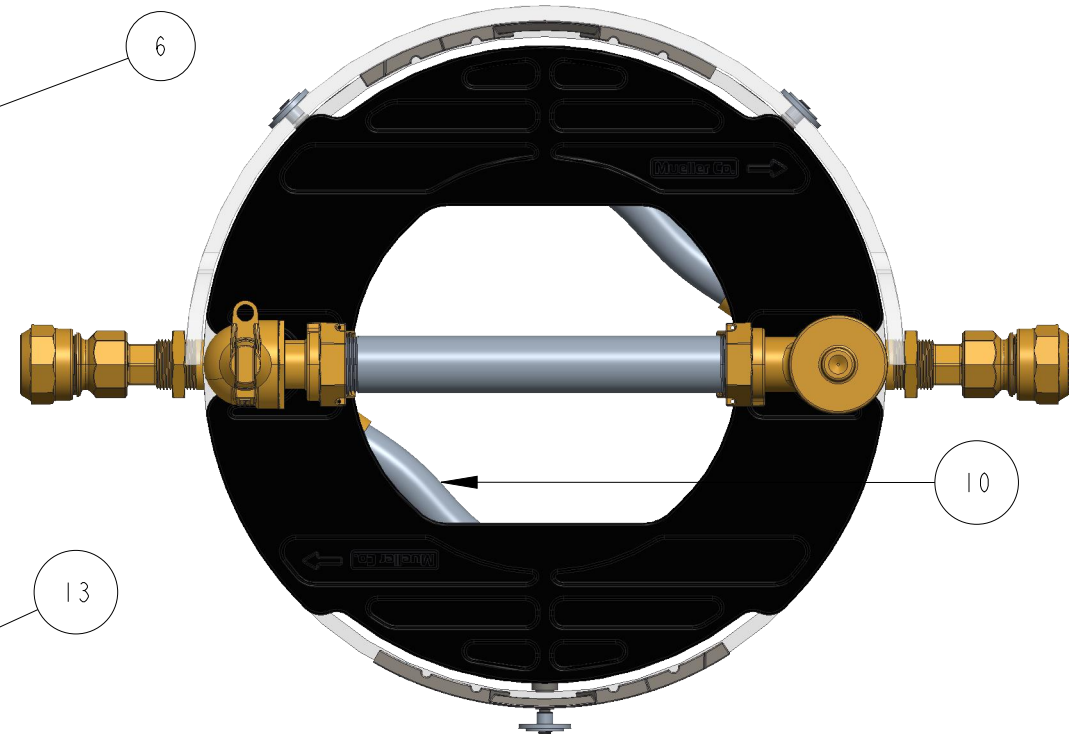


ITEM NO	PART NUMBER	QTY	DESCRIPTION
1	311955-U	1	18" COMPOSITE LID W/ U BRACKET (SOLD SEPERATELY)
2	311968	1	18-10 ABS PLATFORM
3	545215-1812	1	17" INSIDE CARTRIDGE - 12" RISE
4	545216	3	T-NUT
5	545217	3	STAINLESS STEEL WASHER
6	545529	3	1/2" SHOULDER BOLT
7	548357	2	15" & 18" UNIVERSAL BRACKET
8	700014	3	1" HOSE CONNECTOR
9	700014-LT	1	1" LONG THREAD HOSE CONNECTOR
10	700046-1860	2	COIL PART WITH LL BRASS CONNECTORS
11	700250	1	1" METER JUMPER
12	790010	8	1" HEX NUT
13	790011-1848	1	18" ADJUSTA-SHELL ASSEMBLY 48"-60"
14	790153	1	18" INSULATION PAD (SOLD SEPARATELY)
15	330B24265	1	1" FULL PORT BALL VALVE
16	330H14460AN	1	1" ASSE APPROVED VERTICAL CHECK
17	330H15451N	2	1" FIP X 110 COMPRESSION TAILPIECE



OPTION CODE 737:  
 \* H1451 INSTALLED ON INLET AND OUTLET  
 \* METER JUMPER INSTALLED PRIOR TO SHIPPING

DR. BY	SLV	8/6/20	UNLESS OTHERWISE NOTED		THIRD ANGLE PROJECTION		C.B. NO.
CHKR			BREAK CAST CORNER(S)---				
ENGR			BREAK MACH CORNER(S)---		PURCH.	FINISH	PATT. NO.
MGR			TOLERANCES		REF. NO.	SCALE	
MFG			UNLESS OTHERWISE NOTED		STR. NO.		
TOOL			LINEAR	ANGULAR			
FDRY			±	±			
MAT'L:			DESCR. 1" ADJUSTABLE SINGLE METER PIT 18" DIA. X 48-60" DEPTH LOW LEAD BRASS				NUMBER 330AS184860FVBS000737N
			<b>Mueller Co.</b>				

1" CTS COMPRESSION INLET AND OUTLET