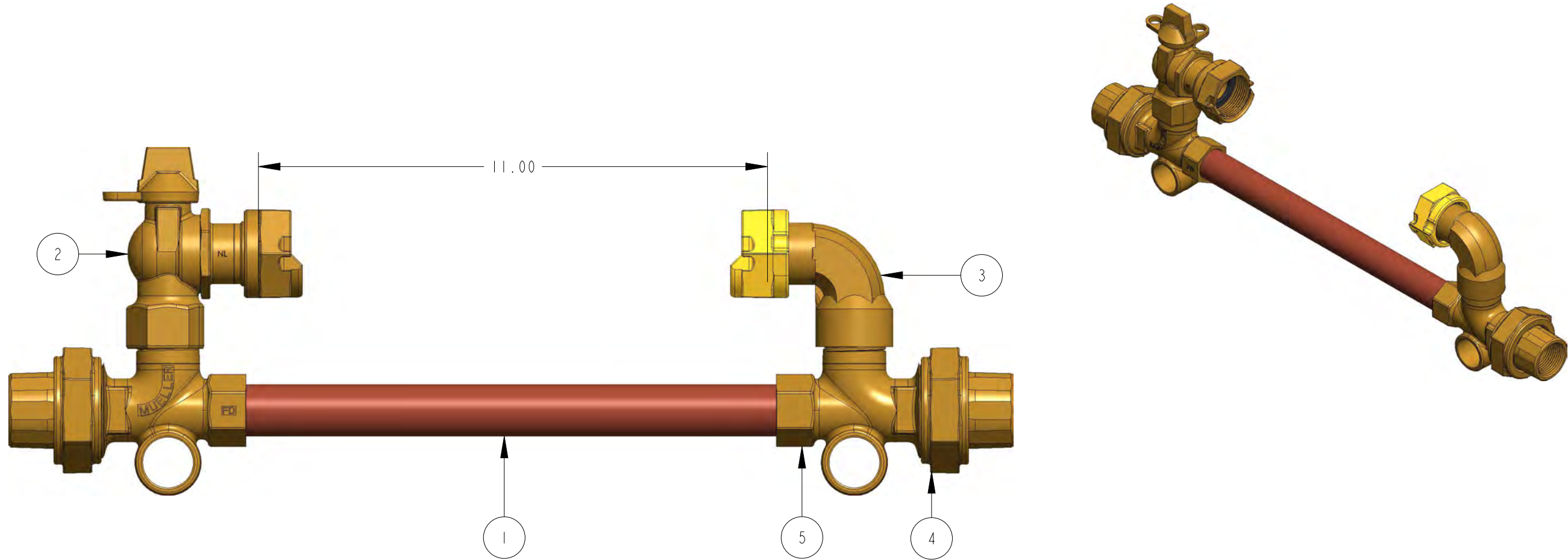


ITEM NO	PART NUMBER	QTY	DESCRIPTION
1	549631	1	1" COPPER TUBING
2	330B24265RN	1	1" REDUCED PORT BALL VALVE LLB
3	330HI4210	1	1" METER COUPLING
4	330HI4222N	2	1" MULTI-PURPOSE X FIP THREAD TAILPIECE LLB
5	546089E	2	1" INLINE BODY (MIP X MULTIPURPOSE)



330B2418-R----N

DR. BY	AOD	12/28/22	UNLESS OTHERWISE NOTED		THIRD ANGLE PROJECTION	C.B. NO.
CHKR			BREAK CAST CORNER(S)---			
ENGR			BREAK MACH CORNER(S)---		PURCH.	PATT. NO.
MGR			TOLERANCES		FINISH	
MFG			UNLESS OTHERWISE NOTED		REF. NO.	SCALE
TOOL			LINEAR	ANGULAR		NONE
FDRY			±	±	STK. NO.	
MAT'L:						
			DESCR. 1" INLINE COPPER METER SETTER LOW LEAD BRASS		NUMBER 330B2418-R----N	