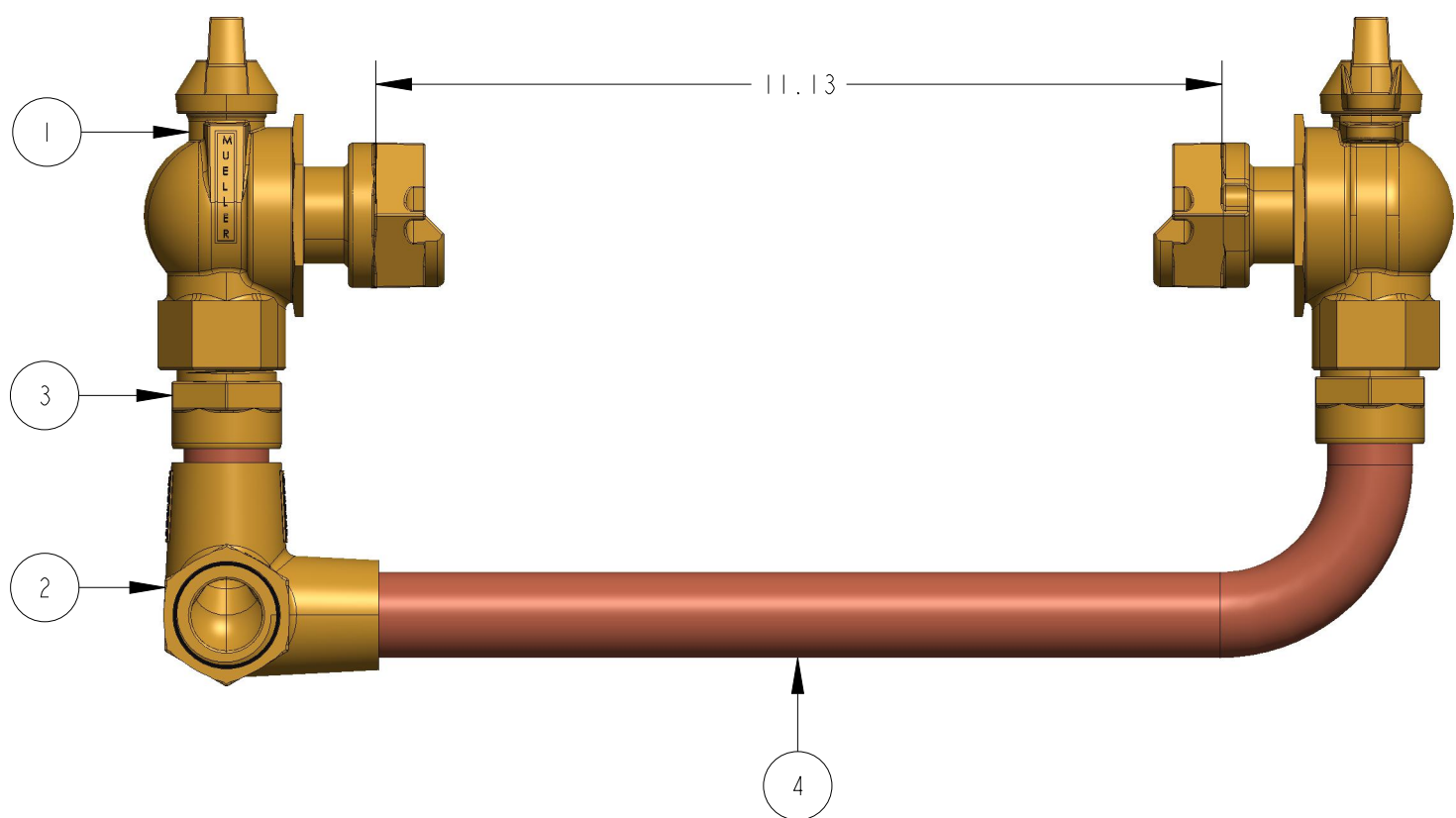
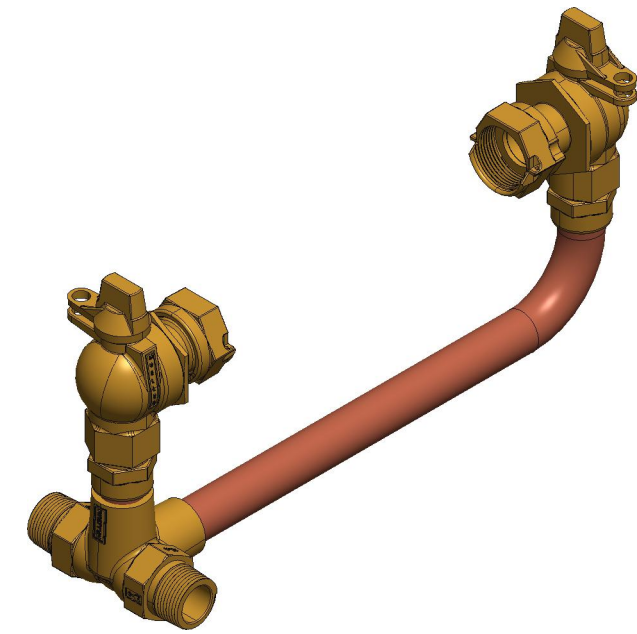


1" MIP THREADS
INLET AND OUTLET



ITEM NO	PART NUMBER	QTY	DESCRIPTION
1	330B24265	2	1" FULL PORT BALL VALVE
2	525277E	1	1" CORNER BODY
3	681447E	1	INLET TUBE SUB ASSEMBLY *LLB*
4	681448E	1	OUTLET TUBE SUB ASSEMBLY *LLB*



OPTION CODE 00:
-BALL VALVE ON INLET AND OUTLET

330B2448----00N

DR. BY	AOD	5/04/22	UNLESS OTHERWISE NOTED	THIRD ANGLE PROJECTION	C.B. NO.
CHKR			BREAK CAST CORNER(S)---		
ENGR			BREAK MACH CORNER(S)---	PURCH.	FINISH
MGR			TOLERANCES	REF. NO.	PATT. NO.
MFG			UNLESS OTHERWISE NOTED	SCALE	NONE
TOOL			LINEAR	ANGULAR	
FDRY			±	±	STK. NO.
MAT'L:					
		DESCR.	1" COPPER SETTER CORNER BASEMENT TYPE LOW LEAD BRASS		NUMBER 330B2448----00N