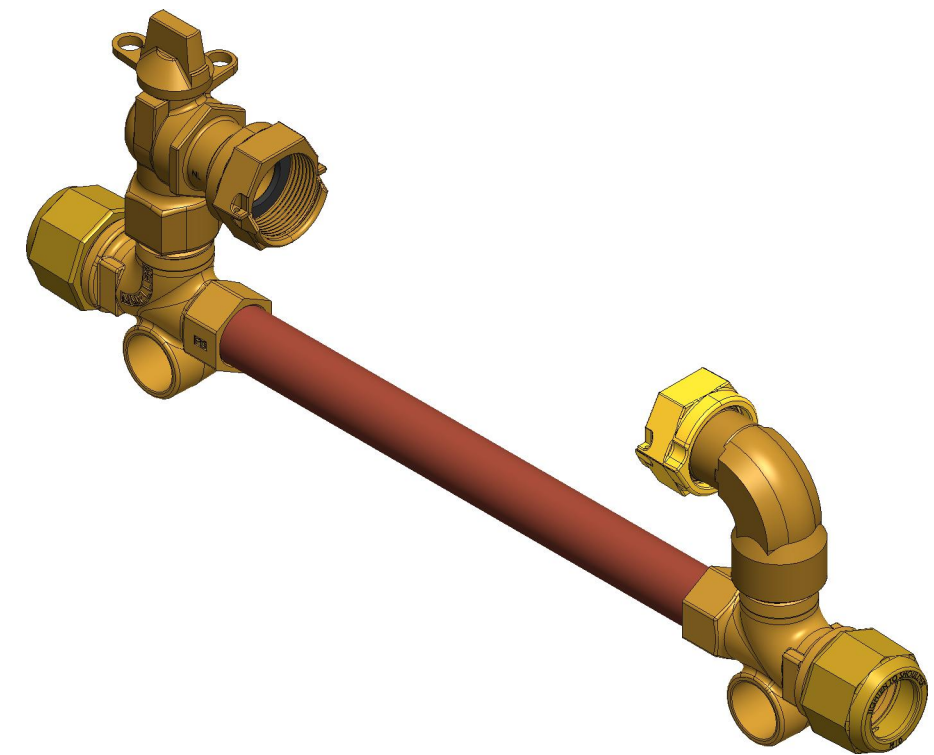
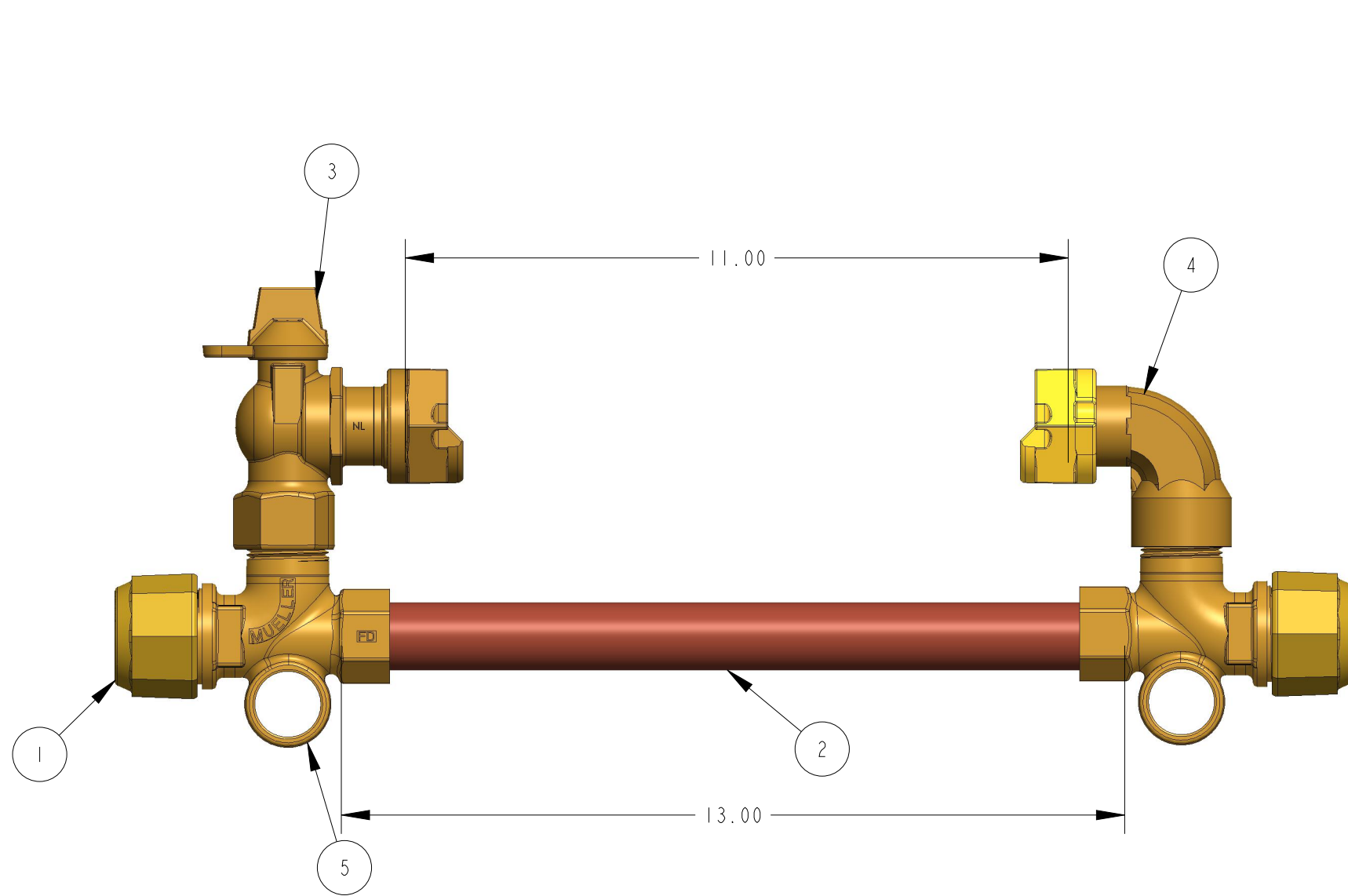


ITEM NO	PART NUMBER	QTY	DESCRIPTION
1	507835	2	1" 110 CONNECTION NUT
2	549631	1	1" COPPER TUBING
3	330B24265R	1	1" REDUCED PORT BALL VALVE
4	330H14210	1	1" METER COUPLING
5	546092E	2	1" BODY (1" MIP X 1" MIP X 1" SOLDER)



330B2618-R----N

DR. BY	JBK	1/12/23	UNLESS OTHERWISE NOTED		THIRD ANGLE PROJECTION		C.B. NO.
CHKR			BREAK CAST CORNER(S)---				
ENGR			BREAK MACH CORNER(S)---				
MGR			TOLERANCES				PATT. NO.
MFG			UNLESS OTHERWISE NOTED				
TOOL			LINEAR	ANGULAR	REF. NO.	SCALE	
FDRY			±	±	STK. NO.	NONE	
MAT'L:							
						NUMBER	
			DESCR.			330B2618-R----N	
			1" INLINE COPPER METER SETTER LOW LEAD BRASS				