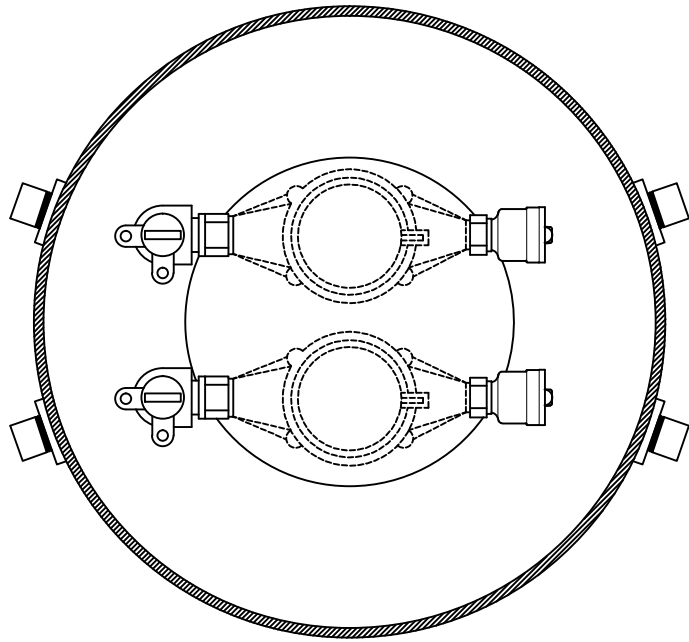


ITEM	DESCRIPTION	PT. No.	REQ'D
1	1" BALL ANGLE METER VALVE	B24265	2
2	1" ANGLE CHECK VALVE	H14244	2
3	21" SHELL SUB-ASSEMBLY		1
4	PVC STABILIZING PLATFORM		1
5	1" HEX NUT	790010	12
6	METER (NOT INCLUDED)		2
7	LOCKING METER LID		1
8	21" X 4" INSULATING PAD		1
9	4" HIGH TAPERED C.I. FRAME		1

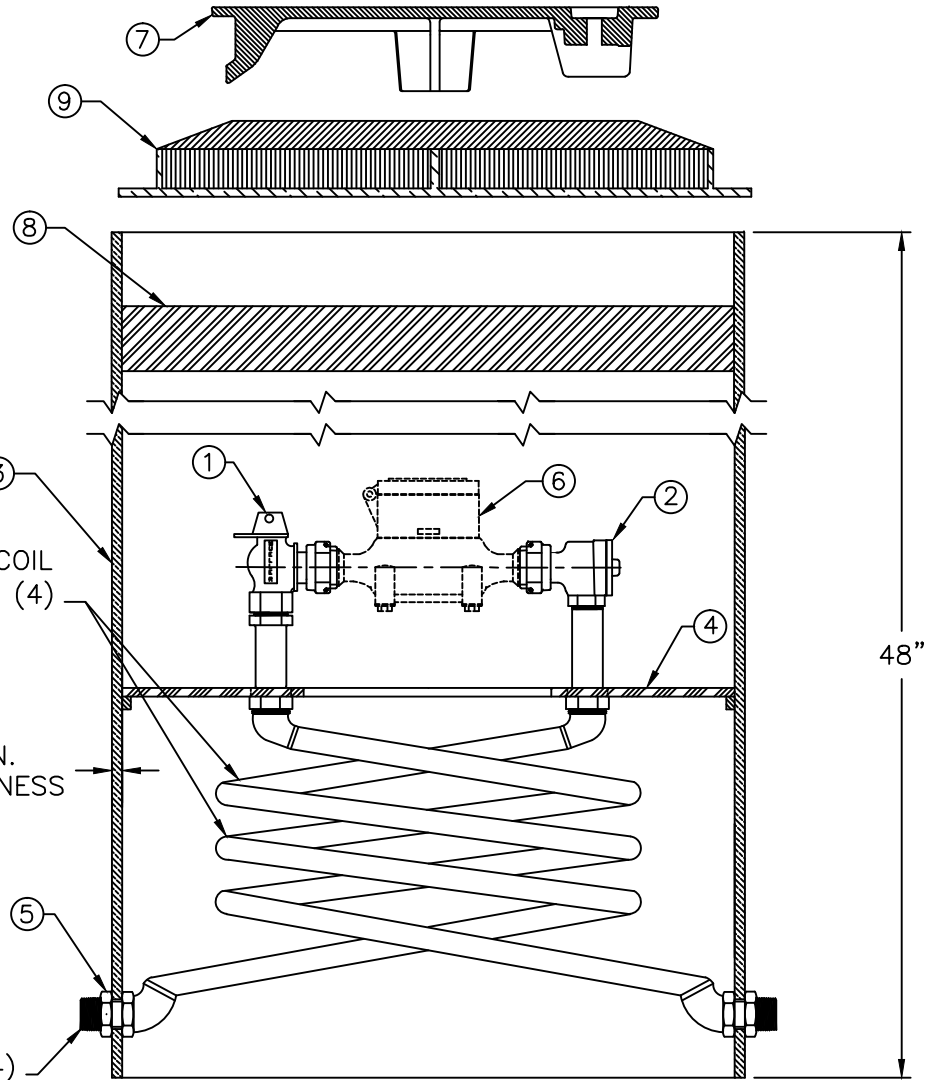


TOP VIEW

1" POLYBUTYLENE COIL CLASS 250 (4)

.486 MIN. WALL THICKNESS

1" MIP CONNECTIONS (4)



FRONT VIEW

NOTE: METER NOT INCLUDED

DRFT'R	AW	11/8/11	THIRD ANGLE PROJECTION	REF. NO.	SCALE
CHK'R					NONE
E.O. NUMBER				STOCK No.	
			DESCR.	OPTION	00001
				REV.	NUMBER
			21" COIL DOUBLE METER PIT FOR 1" METER	330CD2148FBBN	SHEET 1 OF 1

330CD2148FBBN000001

REV.	DESCRIPTION	REF.	DRFT'R	CHK'R	APP	DATE