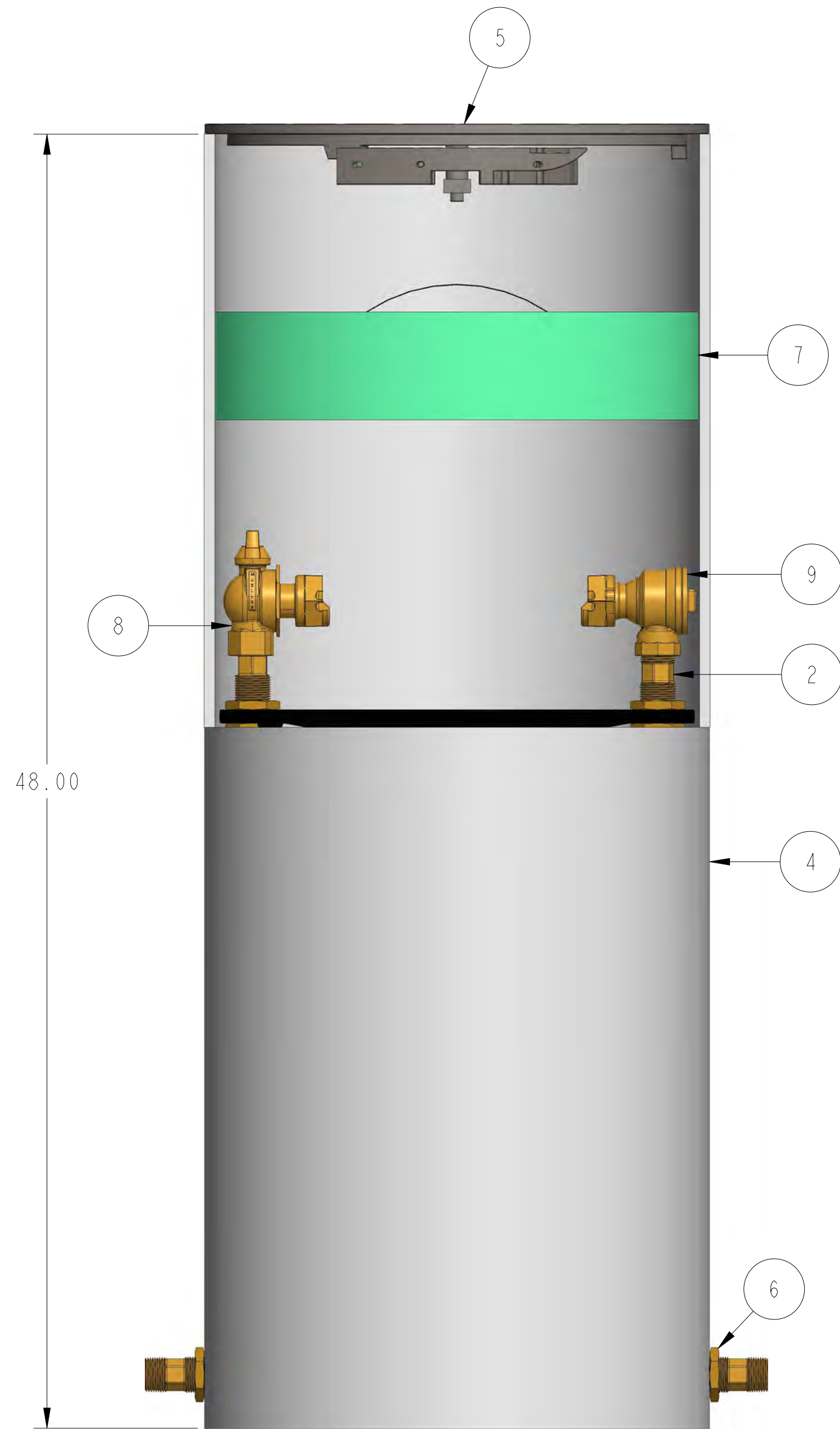
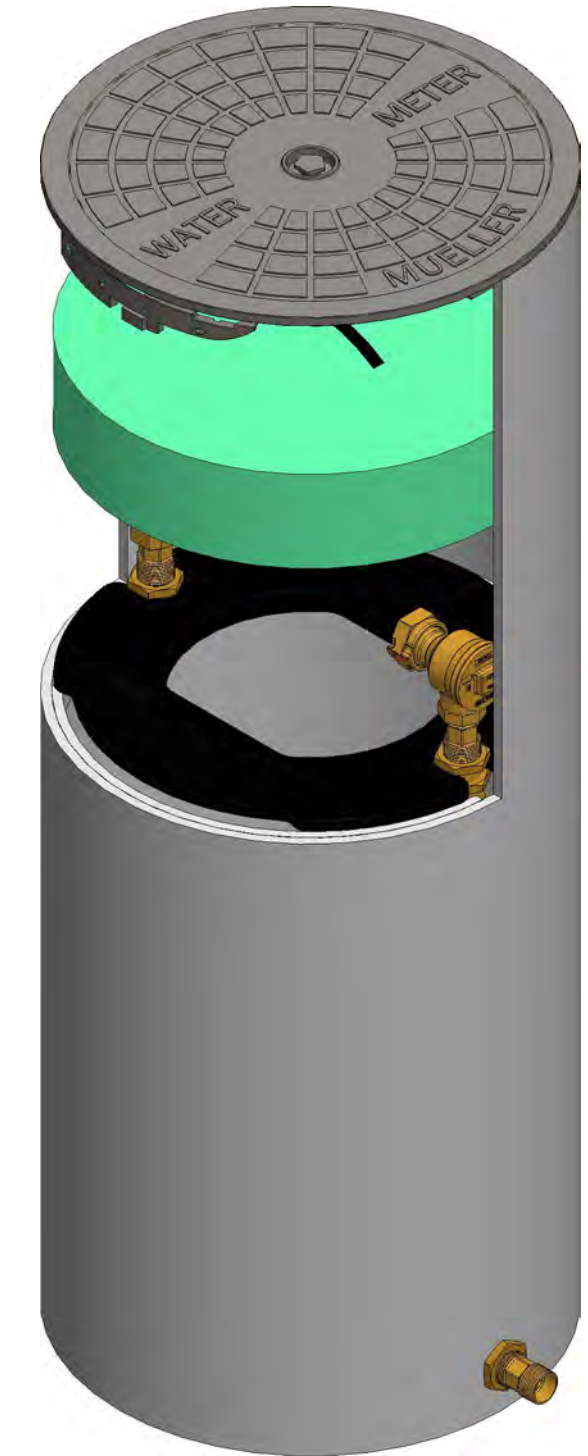
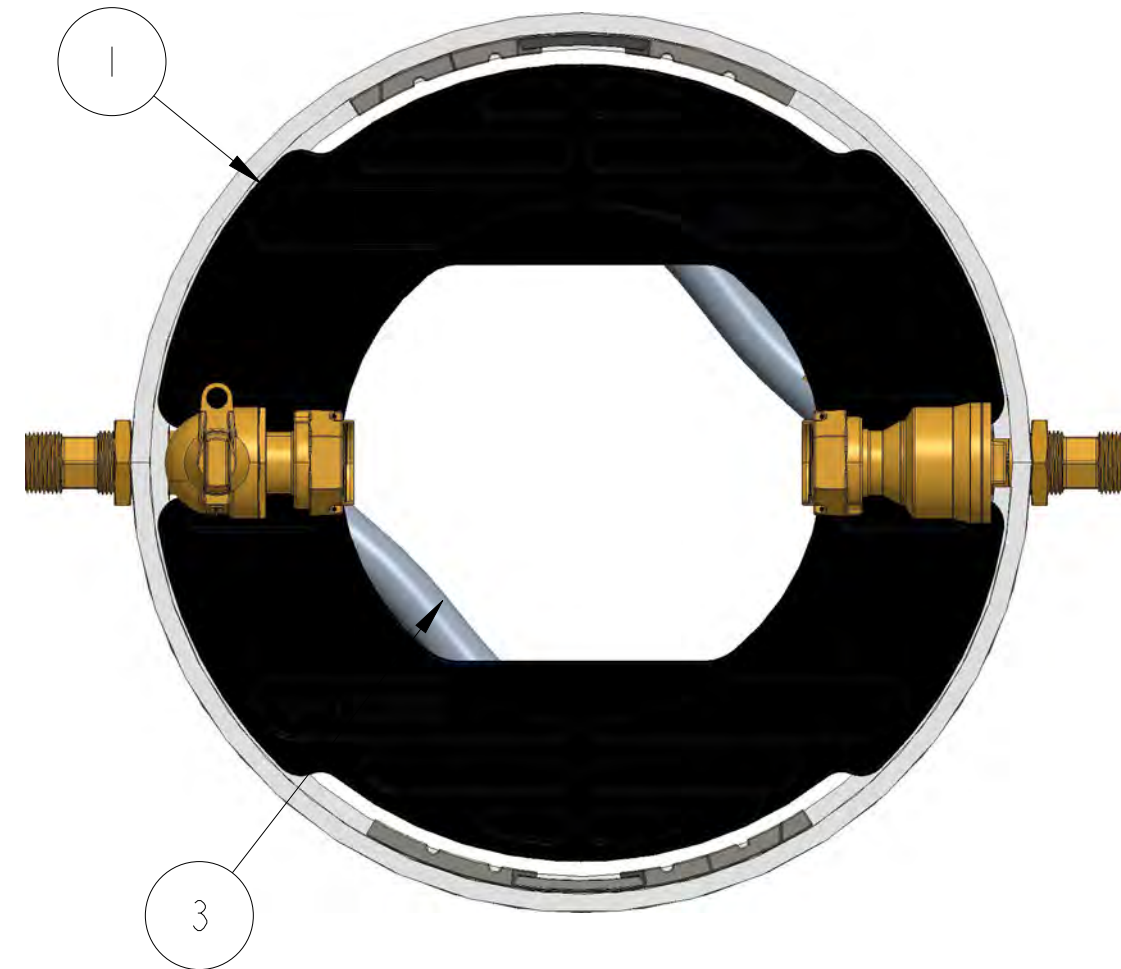


330CS1848FBBSN



ITEM NO	PART NUMBER	QTY	DESCRIPTION
1	311968	1	18-10 ABS PLATFORM
2	700014	4	1" HOSE CONNECTOR
3	700046-1848	2	1" COIL PART
4	780029-1848	1	SHELL SUB ASSEMBLY
5	780069	1	18" DIA CENTER LOCKING LID (NOT INCLUDED)
6	790010	8	1" HEX NUT
7	790153	1	18" INSULATION PAD (SOLD SEPARATELY)
8	330B24265	1	1" FULL PORT BALL VALVE
9	330H14244AN	1	1" ANGLE DUAL CHECK ASSE APPROVED LLB



DR. BY	AOD	7/26/21	UNLESS OTHERWISE NOTED		THIRD ANGLE PROJECTION		C.B. NO.
CHKR			BREAK CAST CORNER(S)---				
ENGR			BREAK MACH CORNER(S)---		PURCH.	FINISH	PATT. NO.
MGR			TOLERANCES		REF. NO.	SCALE	
MFG			UNLESS OTHERWISE NOTED				
TOOL			LINEAR	ANGULAR			
FDRY			±	±	STR. NO.		
MAT'L:							
MUELLER			DESCR. 1" COIL SINGLE METER PIT 18" DIA X 48" DEPTH LOW LEAD BRASS			NUMBER 330CS1848FBBSN	