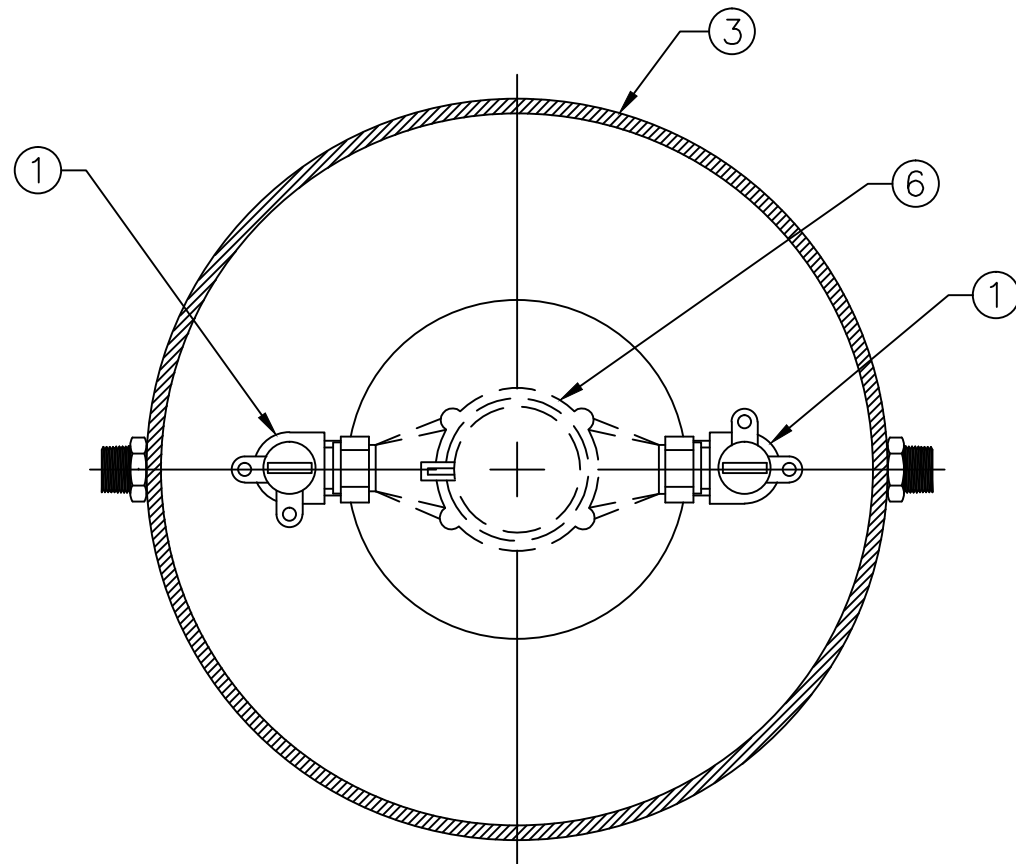
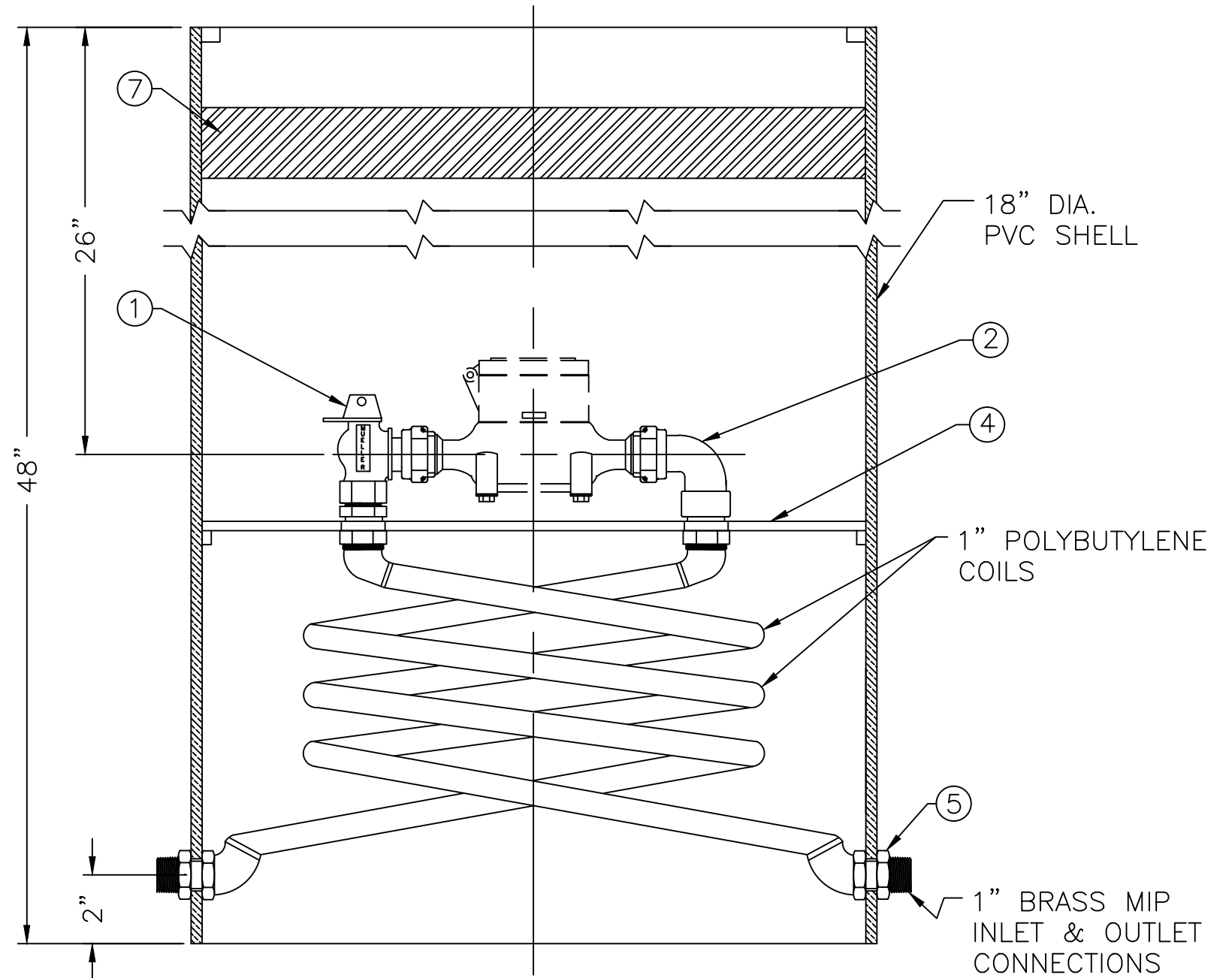


ITEM	DESCRIPTION	PART NO.	REQ'D
1	1" FULL PORT BALL VALVE	B24265N	1
2	1" METER COUPLING	H14210N	1
3	18" SHELL SUB-ASSEMBLY		1
4	STABILIZING PLATFORM		1
5	1" HEX NUT		8
6	METER (NOT INCLUDED)		---
7	18" X 4" INSULATING PAD (OPTIONAL)	790153	---

*NOTE: METER NOT INCLUDED



TOP VIEW



FRONT VIEW

P/N: 330CS1848RABS000608N

330CS1848RABS000608N

APPROVED
By Charles "Graham" Hines at 4:12 pm, Oct 04, 2016

OPTION CODE: 000608

- 26" FROM CENTERLINE TO TOP OF PIT
- (3) LOCKING BRACKETS FLUSH AT TOP OF PIT
- PLATFORM RING INSTALL LOWER THAN STANDARD

REV.	DESCRIPTION	REF.	DRFT'R	CHK'R	APP	DATE

DRFT'R	AGW	5/25/16	THIRD ANGLE PROJECTION	REF. NO.	SCALE
CHK'R					NONE
E.O. NUMBER				STOCK No.	
Mueller Co.			DESCR.	REV.	NUMBER
			1" COIL SINGLE METER PIT 18" DIA X 48" DEPTH LOW LEAD BRASS	330CS1848RABS000608N	
				SHEET 1 OF 1	